

COMPAL CONFIDENTIAL

MODEL NAME : *Ibiza*

COMPAL P/N :

PCB NO : *LA-1684*

Revision : *1.0*

Ibiza Schematics Document uFCBGA/uFCPGA NorthWood MT

2004-01-09

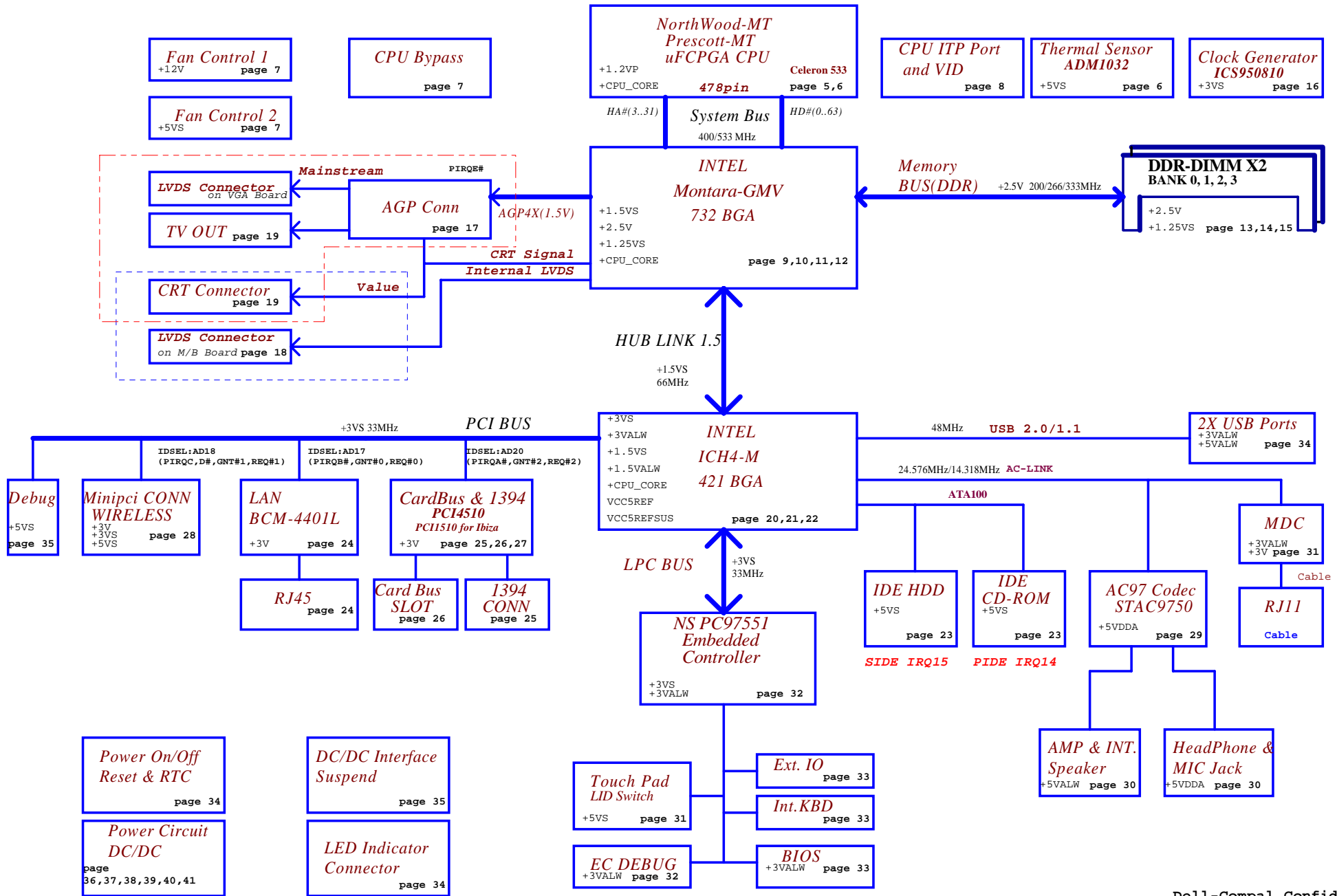
PROPRIETARY NOTE: THIS SHEET OF ENGINEERING DRAWING AND SPECIFICATIONS CONTAINS CONFIDENTIAL TRADE SECRET AND OTHER PROPRIETARY INFORMATION OF DELL INC. ("DELL") THIS DOCUMENT MAY NOT BE TRANSFERRED OR COPIED WITHOUT THE EXPRESS WRITTEN AUTHORIZATION OF DELL. IN ADDITION, NEITHER THIS SHEET NOR THE INFORMATION IT CONTAINS MAY BE USED BY OR DISCLOSED TO ANY THIRD PARTY WITHOUT DELL'S EXPRESS WRITTEN CONSENT.



Dell-Compal Confidential		
Compal Electronics, Inc.		
Title		
Cover Sheet		
Size	Document Number	Rev
	Ibiza LA-1684	1.0
Date:	Friday, January 09, 2004	Sheet 1 of 48

hexain@hotmail.com

Model : Ibiza (Abacus MT for Ext. Gfx)



PROPRIETARY NOTE: THIS SHEET OF ENGINEERING DRAWING AND SPECIFICATIONS CONTAINS CONFIDENTIAL TRADE SECRET AND OTHER PROPRIETARY INFORMATION OF DELL INC. ("DELL") THIS DOCUMENT MAY NOT BE TRANSFERRED OR COPIED WITHOUT THE EXPRESS WRITTEN AUTHORIZATION OF DELL. IN ADDITION, NEITHER THIS SHEET NOR THE INFORMATION IT CONTAINS MAY BE USED BY OR DISCLOSED TO ANY THIRD PARTY WITHOUT DELL'S EXPRESS WRITTEN CONSENT.

Dell-Compal Confidential			
Compal Electronics, Inc.			
File: Block Diagram			
Size	Document Number	Rev	
	Ibiza LA-1684	1.0	
Date:	Friday, January 09, 2004	Sheet	2 of 48

hexain@hmail.com

ST2	FSB
L	400
H	533

Power Managment table

Signal / State	+1.5VALW +3VALW +5VALW +12VALW +12V_FAN	+3V +2.5V	+3VS +5VS +1.5VS +1.2VP +CPU_CORE +1.25VS
s0	ON	ON	ON
s1	ON	ON	ON
s3	ON	ON	OFF
s5 S4/AC	ON	OFF	OFF
s5 S4/AC don't exist	OFF	OFF	OFF

SCHEMATICS VERSION LIST

VERSION	ISSUE DATE	REMARK
0.1	08/19/2003	SST Release
0.2	10/06/2003	PT Release
Seperate from Abacus-MT		
0.1	11/19/2003	ST Release
1.0	01/05/2004	QT Release

Ceramic Capacitor Spec Guide:

Temperature Characteristics:

Symbol	0	1	2	3	4	5	6	7
CODE	Z5U	Z5V	Z5P	Y5U	Y5V	Y5P	X5R	X7R

8	9	A	B	C	D	E	F	G
NP0	COG		BJ	CH	CJ	CK	SH	SJ

H	I	J	
UJ	UK	SL	

Tolerance:

Symbol	A	B	C	D	F	G	H	J
CODE	+/-0.05PF	+/-0.1PF	+/-0.25PF	+/-0.5PF	+/-1PF	+/-2%	+/-3%	+/-5%

K	M	N	P	Q	V	X	Z	
+/-10%	+/-20%	+/-30%	+100,-0%	+30,-10%	+20,-10%	+40,-20%	+80,-20%	

SMBUS Control Table

	SOURCE	INVERTER	BATT	SERIAL EEPROM	THERMAL SENSOR (CPU)	THERMAL SENSOR (LM75)	SODIMM	CLK CHIP	MINI PCI	LCD	VGA Thermal ADM1032
SMB_EC_CK1 SMB_EC_DAI	PC87591L	✓	✓	✓	✗	✗	✗	✗	✗	✗	✓
SMB_EC_CK2 SMB_EC_DAI2	PC87591L	✗	✗	✗	✓	✓	✗	✗	✗	✗	✗
SMB_CLK SMB_CDATA	ICH4-M	✗	✗	✗	✗	✗	✓	✓	✓	✗	✗
LCD_DDCLK LCD_DDCDATA	M-GT	✗	✗	✗	✗	✗	✗	✗	✗	✓	✗

Item	Function	Note
1@	Ibiza	Montara GMV with no TV, 1394
2@	Abacus-MT	Montara-PM
@	DEPOP	

GMV supply 533 Celeron, and use the internal Gfx

PROPRIETARY NOTE: THIS SHEET OF ENGINEERING DRAWING AND SPECIFICATIONS CONTAINS CONFIDENTIAL TRADE SECRET AND OTHER PROPRIETARY INFORMATION OF DELL INC. ("DELL") THIS DOCUMENT MAY NOT BE TRANSFERRED OR COPIED WITHOUT THE EXPRESS WRITTEN AUTHORIZATION OF DELL. IN ADDITION, NEITHER THIS SHEET NOR THE INFORMATION IT CONTAINS MAY BE USED BY OR DISCLOSED TO ANY THIRD PARTY WITHOUT DELL'S EXPRESS WRITTEN CONSENT.

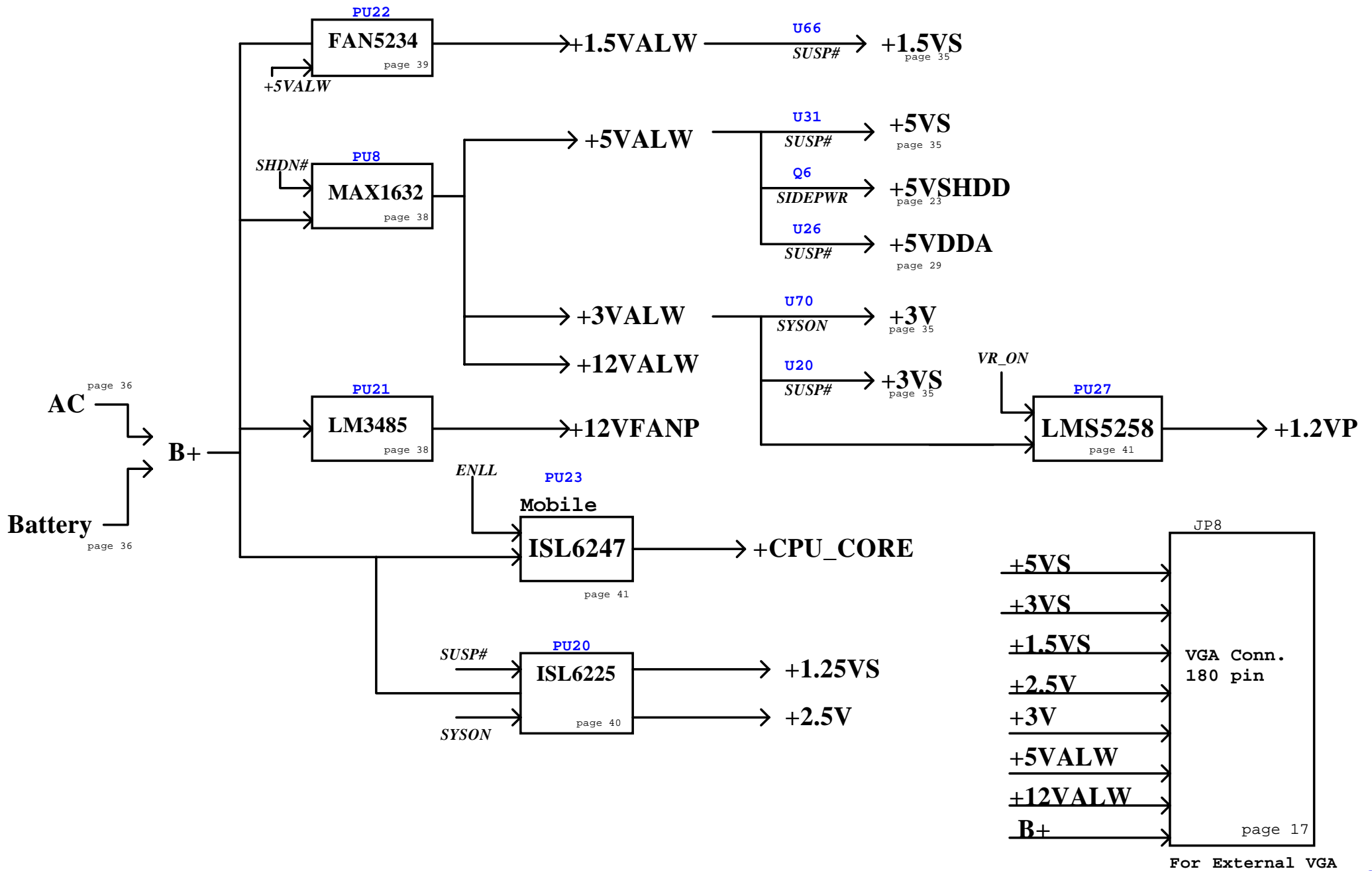
Dell-Compal Confidential

Compal Electronics, Inc.



Note & Revision		
Title	Note & Revision	
Size	Document Number Ibiza LA-1684	Rev 0.1
Date:	Friday, January 09, 2004	Sheet 3 of 48

dexainf@hotmail.com



For External VGA

Dell-Compal Confidential

Compal Electronics, Inc.

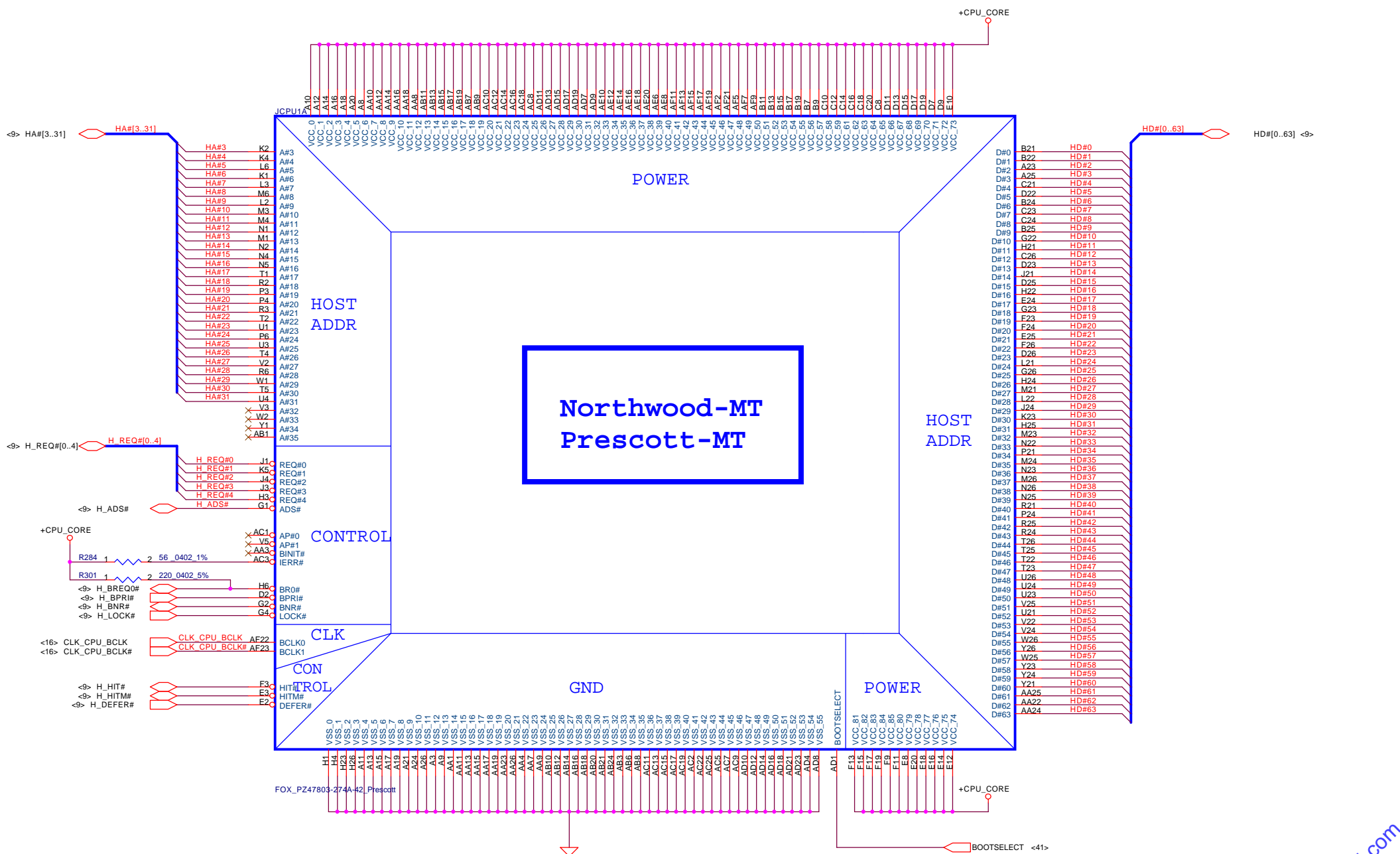
File			POWER DIAGRAM	
Size	Document Number	Ibiza LA-1684		Rev
				1.0
Date:	Friday, January 09, 2004	Sheet	4	of 48

PROPRIETARY NOTE: THIS SHEET OF ENGINEERING DRAWING AND SPECIFICATIONS CONTAINS CONFIDENTIAL TRADE SECRET AND OTHER PROPRIETARY INFORMATION OF DELL INC. ("DELL") THIS DOCUMENT MAY NOT BE TRANSFERRED OR COPIED WITHOUT THE EXPRESS WRITTEN AUTHORIZATION OF DELL. IN ADDITION, NEITHER THIS SHEET NOR THE INFORMATION IT CONTAINS MAY BE USED BY OR DISCLOSED TO ANY THIRD PARTY WITHOUT DELL'S EXPRESS WRITTEN CONSENT.



hexainfo@hotmail.com

Northwood-MT Prescott-MT



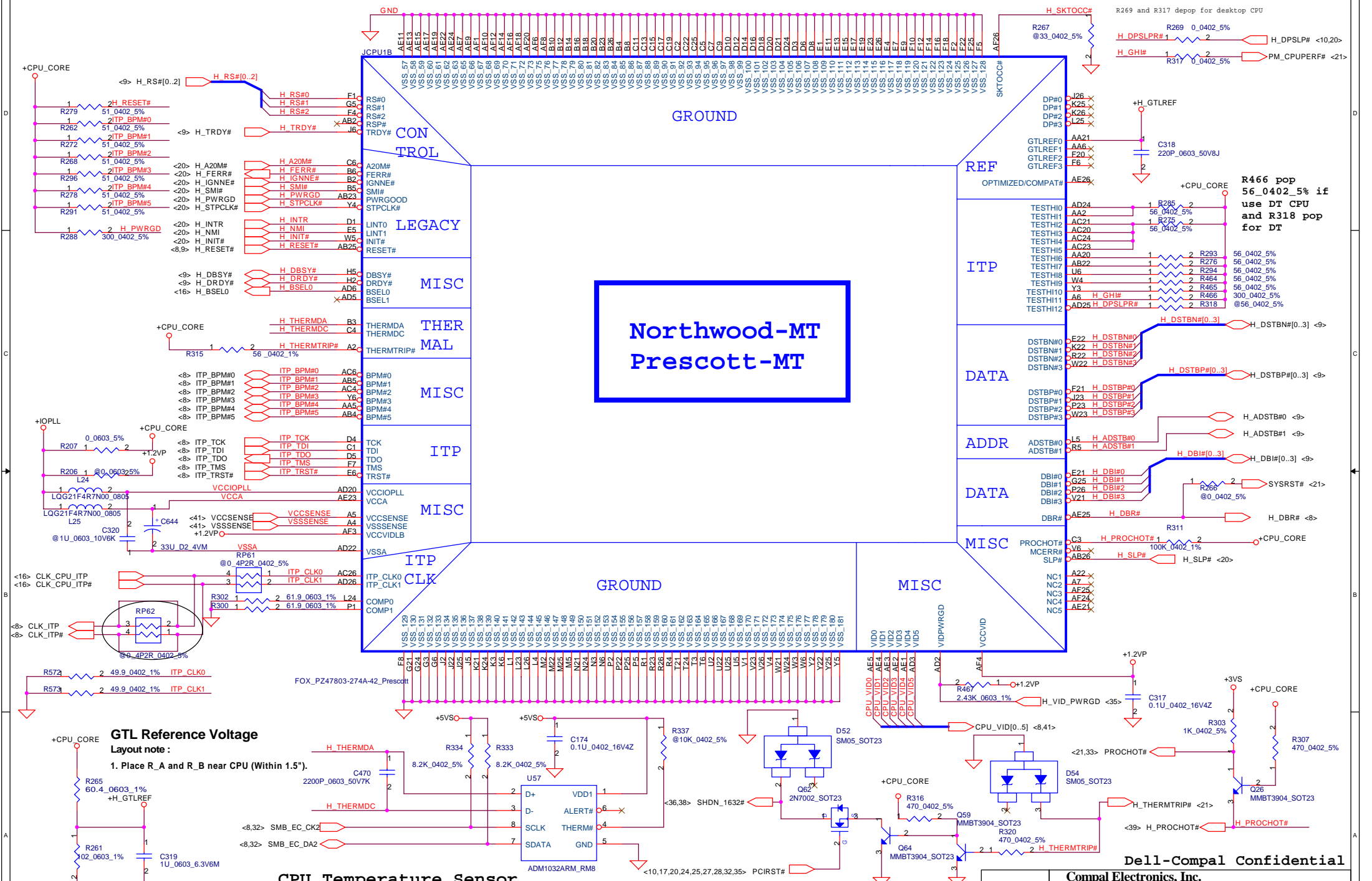
NWD: L PSD: H
PSD Pull-up internal

Dell-Compal Confidential
Compal Electronics, Inc.

PROPRIETARY NOTE: THIS SHEET OF ENGINEERING DRAWING AND SPECIFICATIONS CONTAINS CONFIDENTIAL TRADE SECRET AND OTHER PROPRIETARY INFORMATION OF DELL, INC. ("DELL") THIS DOCUMENT MAY NOT BE TRANSFERRED OR COPIED WITHOUT THE EXPRESS WRITTEN AUTHORIZATION OF DELL. IN ADDITION, NEITHER THIS SHEET NOR THE INFORMATION IT CONTAINS MAY BE USED BY OR DISCLOSED TO ANY THIRD PARTY WITHOUT DELL'S EXPRESS WRITTEN CONSENT.

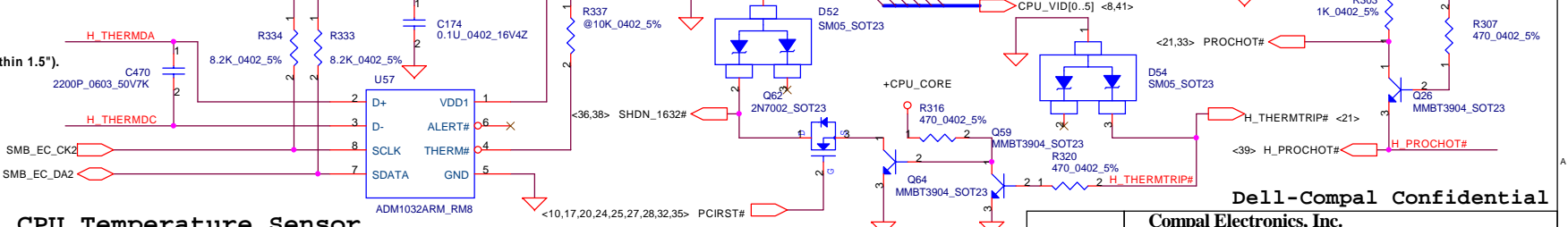
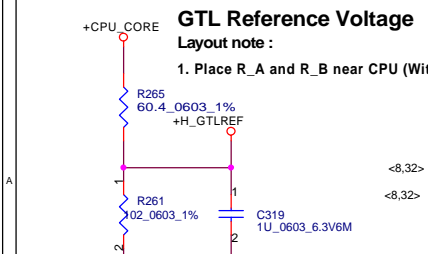
		File Prescott / P4 uFCPGA (1/2)	
		Size Document Number Ibiza LA-1684	Rev 1.0
Date: Friday, January 09, 2004	Sheet 5 of 48	dexain@hotmail.com	

Northwood-MT Prescott-MT



R269 and R317 depop for desktop CPU
 R269 0.0402_5% H_DPSLPR#1 2 H_DPSLPR# <10,20>
 R317 0.0402_5% H_GH# 1 2 PM_CUPERF# <21>

R466 pop 56_0402_5% if use DT CPU and R318 pop for DT



PROPRIETARY NOTE: THIS SHEET OF ENGINEERING DRAWING AND SPECIFICATIONS CONTAINS CONFIDENTIAL TRADE SECRET AND OTHER PROPRIETARY INFORMATION OF DELL INC. ("DELL"). THIS DOCUMENT MAY NOT BE TRANSFERRED OR COPIED WITHOUT THE EXPRESS WRITTEN AUTHORIZATION OF DELL. IN ADDITION, NEITHER THIS SHEET NOR THE INFORMATION IT CONTAINS MAY BE USED BY OR DISCLOSED TO ANY THIRD PARTY WITHOUT DELL'S EXPRESS WRITTEN CONSENT.

Dell-Compal Confidential
 Compal Electronics, Inc.

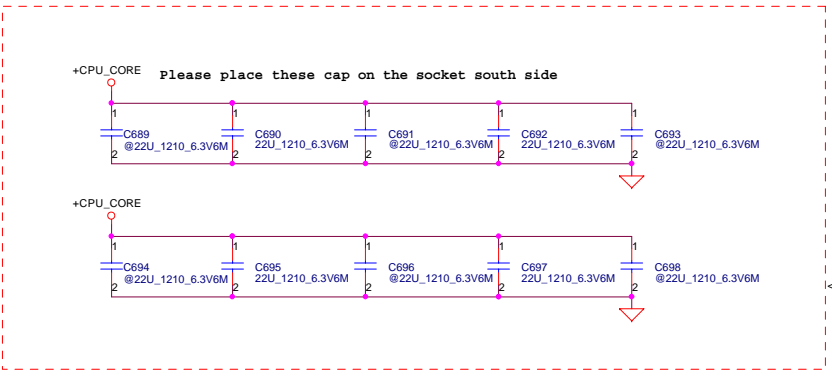
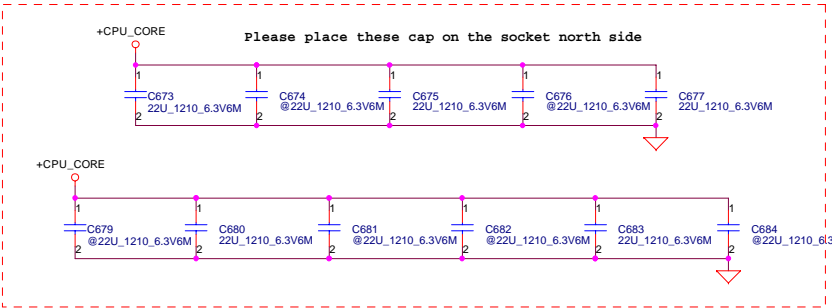
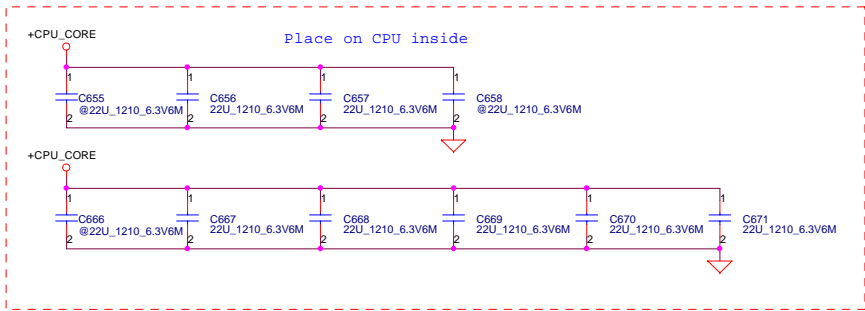
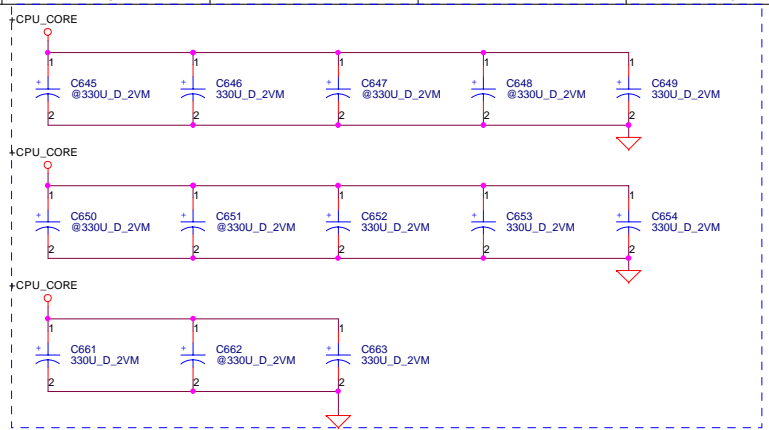
File Prescott / P4 uFCPGA & Thermal sensor (2/2)		
Size	Document Number Ibiza LA-1684	Rev 1.0
Date	Friday, January 09, 2004	Sheet 6 of 48

Intel change to 0.63VCC, then 60.4/102

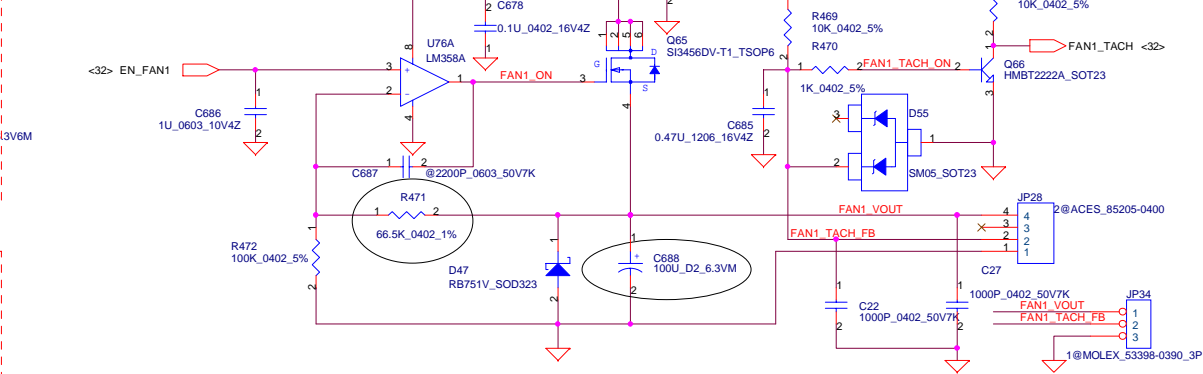
Layout note :
 Place close to CPU, Use 2-3 vias per PAD.
 Place 22uF caps x31 pcs, populated 14pcs.

Layout note :
 Place close to CPU power and ground pin as possible (<1inch)

For Desktop's CPU:
 330uF x 7 / 7m ohm each
 depop 8pcs

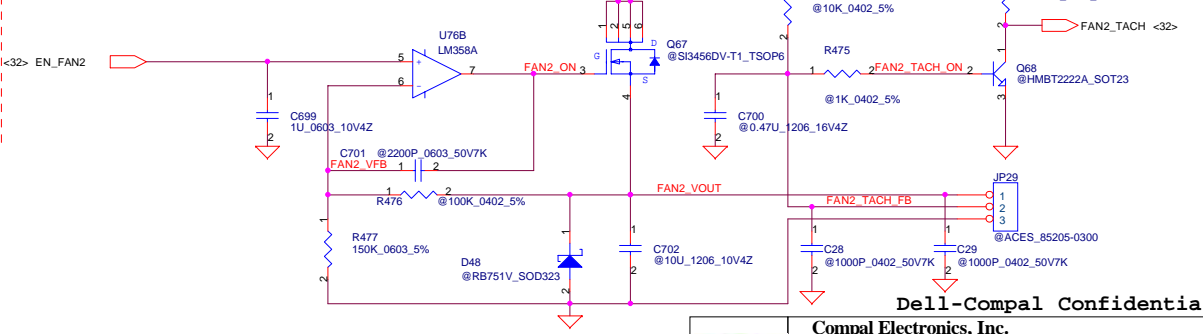


Fan1 Control circuit



Note: R471 - 66.5K_1% for +5V Fan ; 300k_1% for +12V Fan

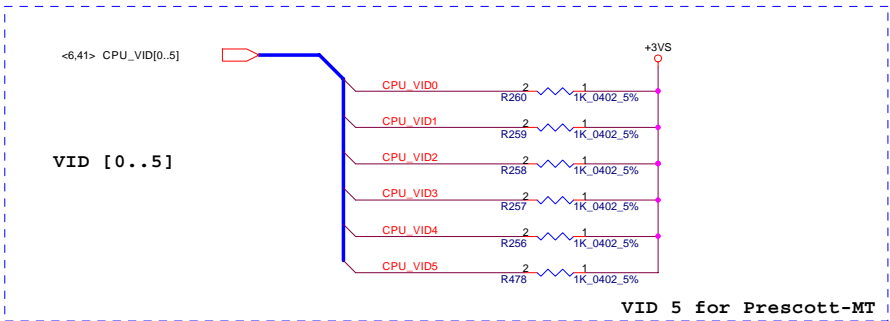
Fan2 Control circuit



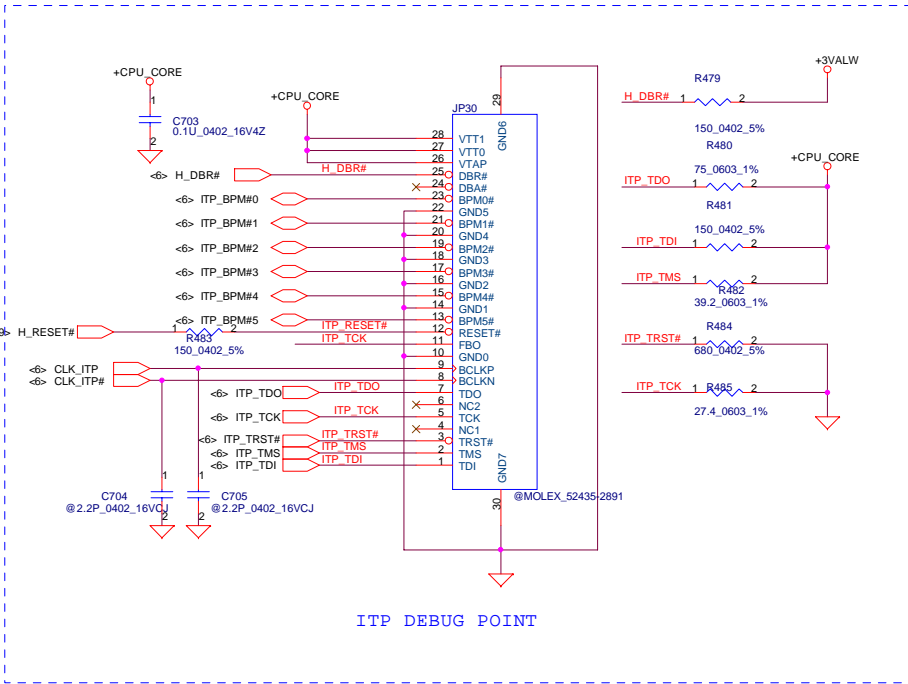
Dell-Compal Confidential
 Compal Electronics, Inc.

PROPRIETARY NOTE: THIS SHEET OF ENGINEERING DRAWING AND SPECIFICATIONS CONTAINS CONFIDENTIAL TRADE SECRET AND OTHER PROPRIETARY INFORMATION OF DELL INC. ("DELL") THIS DOCUMENT MAY NOT BE TRANSFERRED OR COPIED WITHOUT THE EXPRESS WRITTEN AUTHORIZATION OF DELL. IN ADDITION, NEITHER THIS SHEET NOR THE INFORMATION IT CONTAINS MAY BE USED BY OR DISCLOSED TO ANY THIRD PARTY WITHOUT DELL'S EXPRESS WRITTEN CONSENT.

Title CPU Decoupling CAP. & Fan control		
Size	Document Number Ibiza LA-1684	Rev 1.0
Date: Friday, January 09, 2004	Sheet 7	of 48

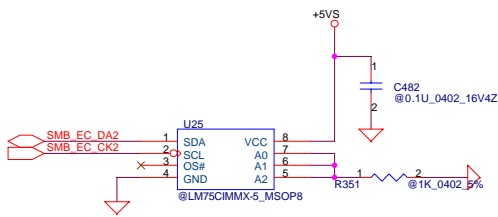


VID	4	3	2	1	0	V
	0	1	0	1	1	1.5750
	0	1	1	0	0	1.5500
	0	1	1	0	1	1.5250
	0	1	1	1	0	1.5000
	0	1	1	1	1	1.4750
	1	0	0	0	0	1.4500
	1	0	0	0	1	1.4250
	1	0	0	1	0	1.4000
	1	0	0	1	1	1.3750
	1	0	1	0	0	1.3500
	1	0	1	0	1	1.3250
	1	0	1	1	0	1.3000
	1	0	1	1	1	1.2750
	1	1	0	0	0	1.2500
	1	1	0	0	1	1.2250
	1	1	0	1	0	1.2000
	1	1	0	1	1	1.1750
	1	1	1	0	0	1.1500
	1	1	1	0	1	1.1250
	1	1	1	1	0	1.1000
	1	1	1	1	1	off

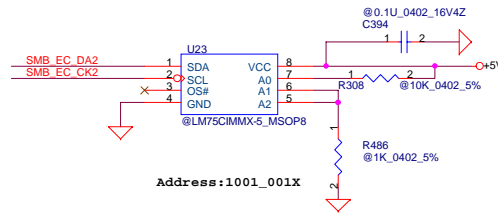


ITP Debug Connector

<6.32> SMB_EC_DA2
<6.32> SMB_EC_CK2



Address:1001_000X

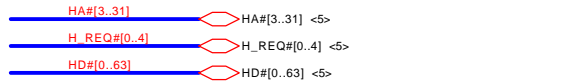


Address:1001_001X

PROPRIETARY NOTE: THIS SHEET OF ENGINEERING DRAWING AND SPECIFICATIONS CONTAINS CONFIDENTIAL TRADE SECRET AND OTHER PROPRIETARY INFORMATION OF DELL INC. ("DELL"). THIS DOCUMENT MAY NOT BE TRANSFERRED OR COPIED WITHOUT THE EXPRESS WRITTEN AUTHORIZATION OF DELL. IN ADDITION, NEITHER THIS SHEET NOR THE INFORMATION IT CONTAINS MAY BE USED BY OR DISCLOSED TO ANY THIRD PARTY WITHOUT DELL'S EXPRESS WRITTEN CONSENT.



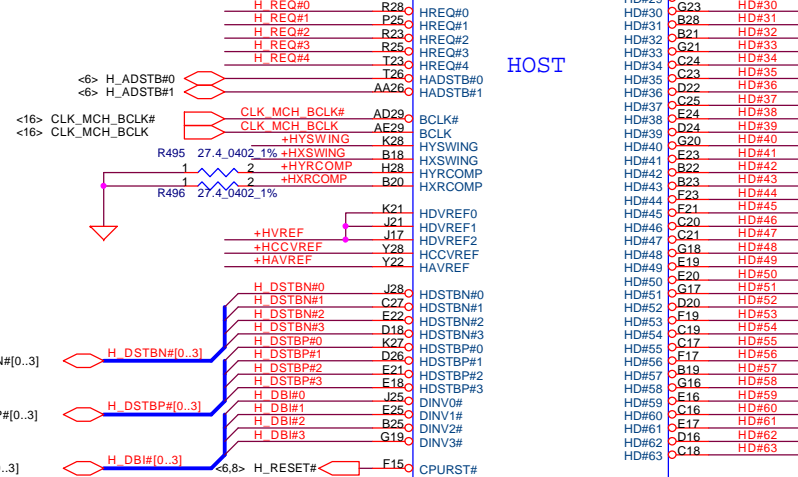
U77 use Montara-GMV for Internal Gfx



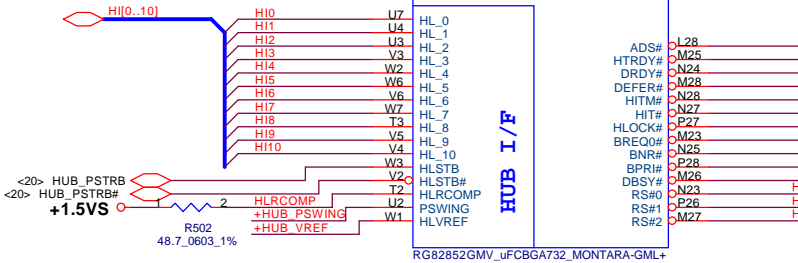
Montara-GT

HA#3	P23	HA#3	HD#0	K22	HD#0
HA#4	T28	HA#4	HD#1	H27	HD#1
HA#5	T28	HA#5	HD#2	K25	HD#2
HA#6	R27	HA#6	HD#3	L24	HD#3
HA#7	U23	HA#7	HD#4	J27	HD#4
HA#8	U24	HA#8	HD#5	G28	HD#5
HA#9	R24	HA#9	HD#6	L27	HD#6
HA#10	U28	HA#10	HD#7	L23	HD#7
HA#11	V28	HA#11	HD#8	L25	HD#8
HA#12	U27	HA#12	HD#9	J24	HD#9
HA#13	T27	HA#13	HD#10	H25	HD#10
HA#14	V27	HA#14	HD#11	K23	HD#11
HA#15	U28	HA#15	HD#12	G27	HD#12
HA#16	V28	HA#16	HD#13	K26	HD#13
HA#17	Y24	HA#17	HD#14	J23	HD#14
HA#18	V28	HA#18	HD#15	H26	HD#15
HA#19	V23	HA#19	HD#16	E25	HD#16
HA#20	W28	HA#20	HD#17	E26	HD#17
HA#21	Y28	HA#21	HD#18	B27	HD#18
HA#22	AA27	HA#22	HD#19	H23	HD#19
HA#23	W24	HA#23	HD#20	E27	HD#20
HA#24	W23	HA#24	HD#21	G25	HD#21
HA#25	W27	HA#25	HD#22	E28	HD#22
HA#26	Y27	HA#26	HD#23	D27	HD#23
HA#27	AA28	HA#27	HD#24	G24	HD#24
HA#28	V28	HA#28	HD#25	C28	HD#25
HA#29	AB27	HA#29	HD#26	G26	HD#26
HA#30	Y26	HA#30	HD#27	G22	HD#27
HA#31	AB28	HA#31	HD#28	C26	HD#28
			HD#29	E26	HD#29
			HD#30	G23	HD#30
			HD#31	B28	HD#31
			HD#32	G21	HD#32
			HD#33	B21	HD#33
			HD#34	C24	HD#34
			HD#35	C23	HD#35
			HD#36	D22	HD#36
			HD#37	C25	HD#37
			HD#38	E24	HD#38
			HD#39	D24	HD#39
			HD#40	G20	HD#40
			HD#41	E23	HD#41
			HD#42	B22	HD#42
			HD#43	B23	HD#43
			HD#44	E23	HD#44
			HD#45	E21	HD#45
			HD#46	C20	HD#46
			HD#47	C21	HD#47
			HD#48	G18	HD#48
			HD#49	E19	HD#49
			HD#50	E20	HD#50
			HD#51	G17	HD#51
			HD#52	D20	HD#52
			HD#53	E19	HD#53
			HD#54	C19	HD#54
			HD#55	C17	HD#55
			HD#56	E17	HD#56
			HD#57	B19	HD#57
			HD#58	G16	HD#58
			HD#59	E16	HD#59
			HD#60	C16	HD#60
			HD#61	E17	HD#61
			HD#62	D16	HD#62
			HD#63	C18	HD#63

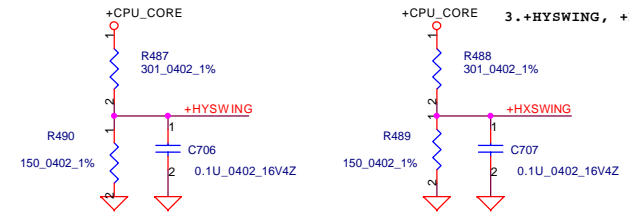
HOST



HUB I/F

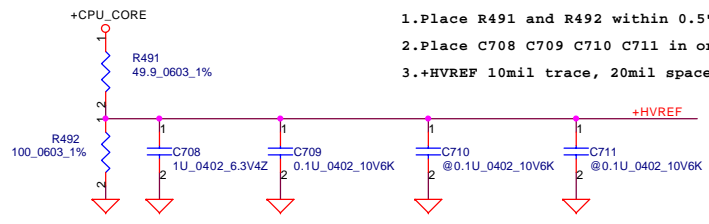


HXSWING and HYSWING Ref. Voltage



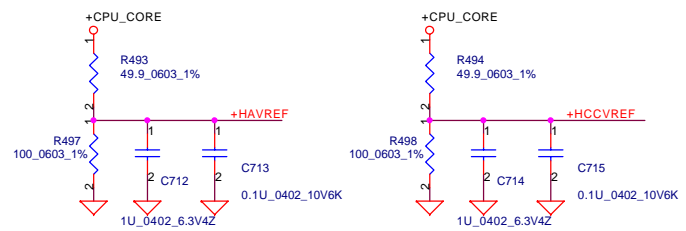
1. Place R487 and R490 within 0.5" of U77 pin K28
2. Place R488 and R489 within 0.5" of U77 pin B18
3. HYSWING, +HXSWING 10mil trace, 20mil space.

Host data Ref. Voltage

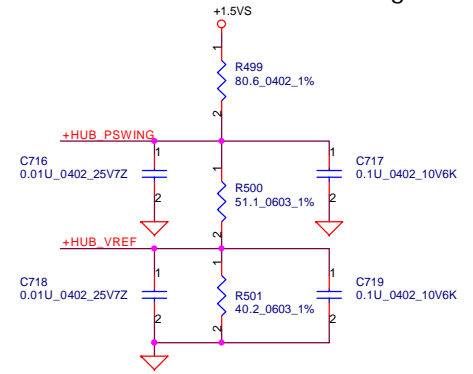


1. Place R491 and R492 within 0.5" of U77 pin K21 J21 J17
2. Place C708 C709 C710 C711 in order from U77 to divider
3. +HVREF 10mil trace, 20mil space.

Host Address Ref. Voltage



HUBLink reference Voltage



Dell-Compal Confidential

Compal Electronics, Inc.



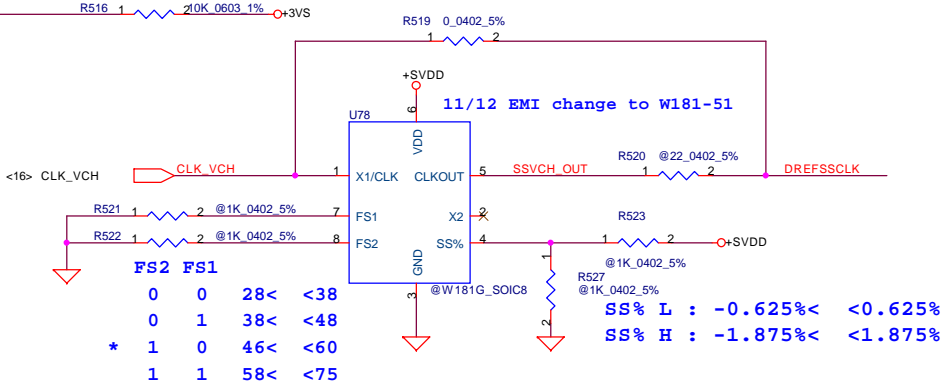
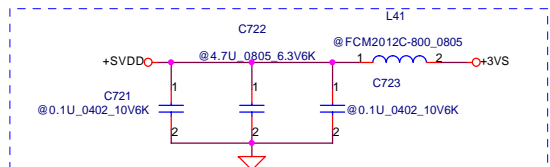
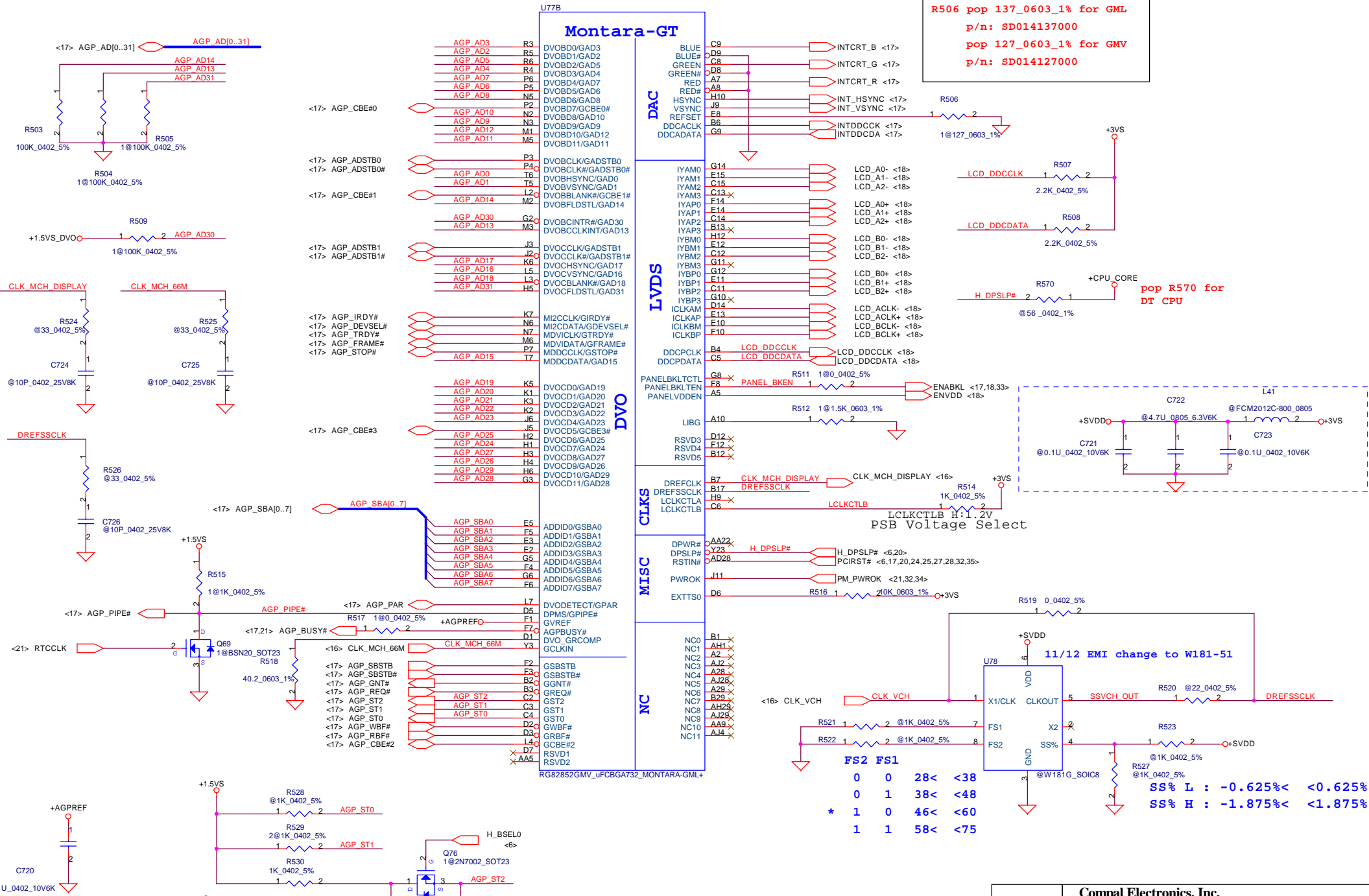
Title Montara-GT (1/4)		
Size	Document Number Ibiza LA-1684	Rev 1.0
Date	Friday, January 09, 2004	Sheet 9 of 48

PROPRIETARY NOTE: THIS SHEET OF ENGINEERING DRAWING AND SPECIFICATIONS CONTAINS CONFIDENTIAL TRADE SECRET AND OTHER PROPRIETARY INFORMATION OF DELL INC. ("DELL") THIS DOCUMENT MAY NOT BE TRANSFERRED OR COPIED WITHOUT THE EXPRESS WRITTEN AUTHORIZATION OF DELL. IN ADDITION, NEITHER THIS SHEET NOR THE INFORMATION IT CONTAINS MAY BE USED BY OR DISCLOSED TO ANY THIRD PARTY WITHOUT DELL'S EXPRESS WRITTEN CONSENT.

check spec.

R506 pop 137_0603_1% for GML
p/n: SD014137000
pop 127_0603_1% for GMV
p/n: SD014127000

Montara-GT



FS2	FS1	0	0	28	<	38
		0	1	38	<	48
*	1	0	46	<	60	
	1	1	58	<	75	

SS% L : -0.625% < -0.625%
SS% H : -1.875% < -1.875%

R530 wait 533 Celeron
ST2 L : 400 H : 533

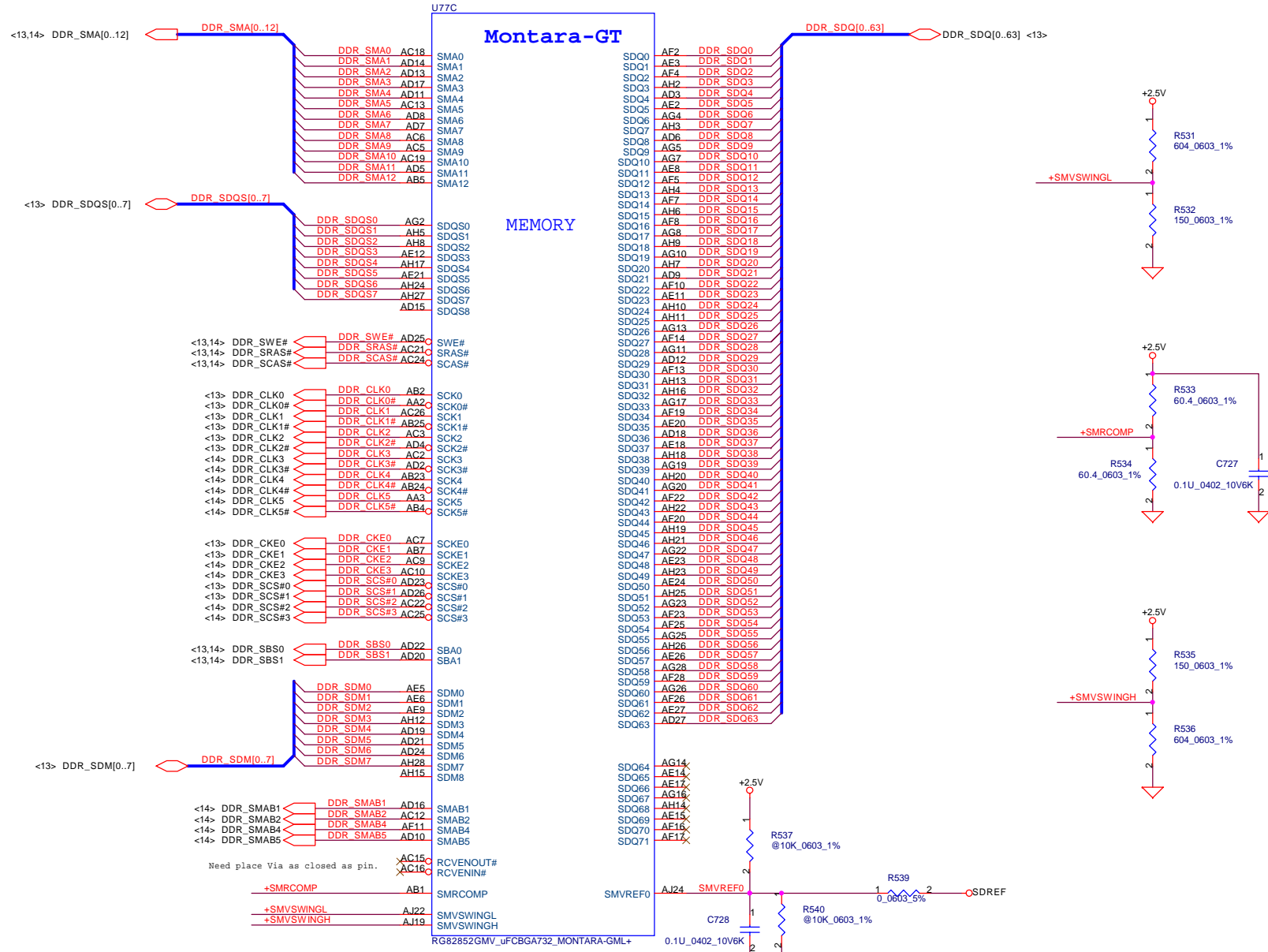
PROPRIETARY NOTE: THIS SHEET OF ENGINEERING DRAWING AND SPECIFICATIONS CONTAINS CONFIDENTIAL TRADE SECRET AND OTHER PROPRIETARY INFORMATION OF DELL INC. ("DELL") THIS DOCUMENT MAY NOT BE TRANSFERRED OR COPIED WITHOUT THE EXPRESS WRITTEN AUTHORIZATION OF DELL. IN ADDITION, NEITHER THIS SHEET NOR THE INFORMATION IT CONTAINS MAY BE USED BY OR DISCLOSED TO ANY THIRD PARTY WITHOUT DELL'S EXPRESS WRITTEN CONSENT.

Compal Electronics, Inc.

Title: **Montara-GT (24)**

Size	Document Number	Rev
	Ibiza LA-1684	1.0

Date: Friday, January 09, 2004 Sheet 10 of 48



TOPOLOGY 2 FOR DDR
 SMAA[12:6,3,0], SBA[1:0], SRAS#, SCAS#, SWE#

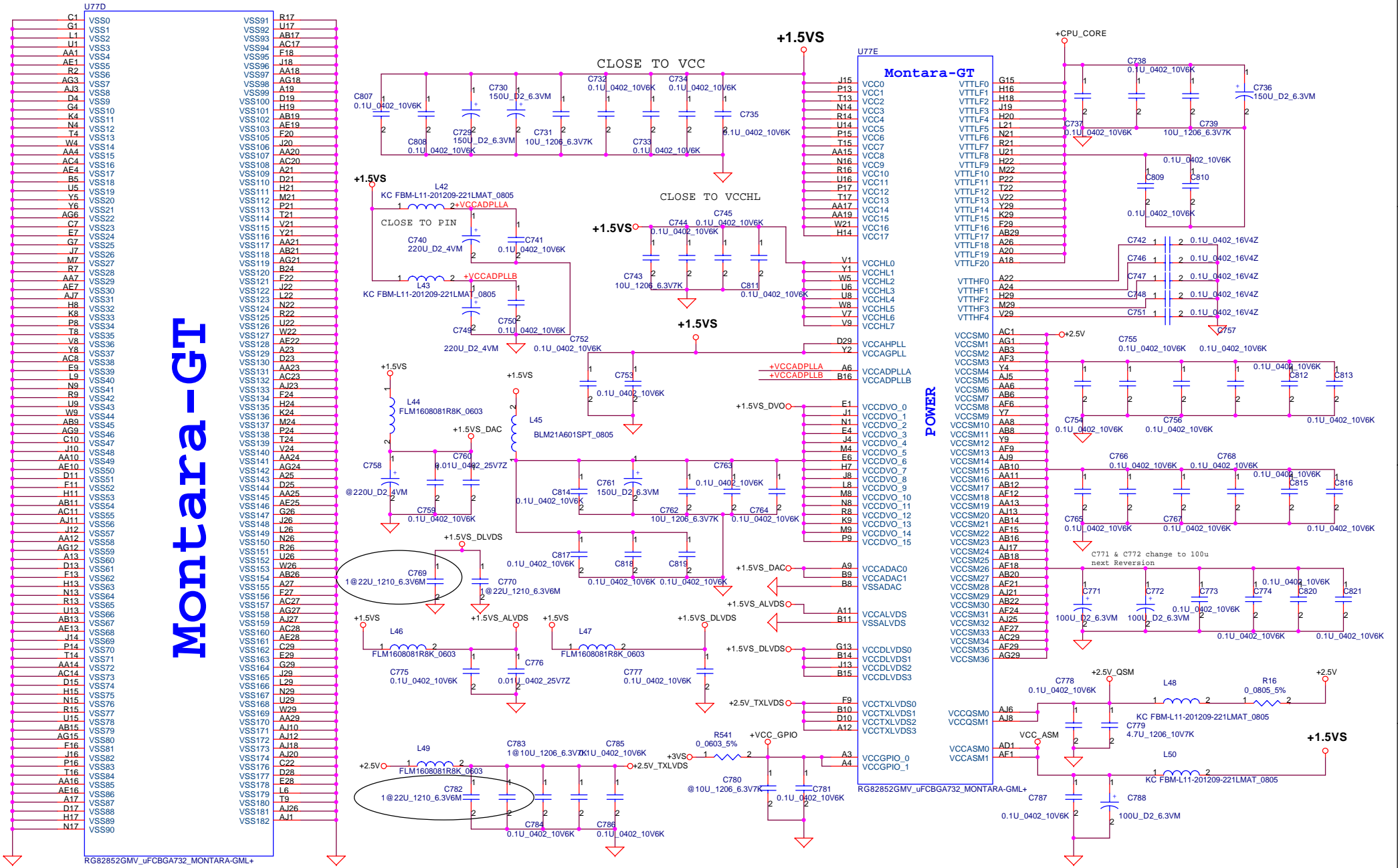
PROPRIETARY NOTE: THIS SHEET OF ENGINEERING DRAWING AND SPECIFICATIONS CONTAINS CONFIDENTIAL TRADE SECRET AND OTHER PROPRIETARY INFORMATION OF DELL INC. ("DELL") THIS DOCUMENT MAY NOT BE TRANSFERRED OR COPIED WITHOUT THE EXPRESS WRITTEN AUTHORIZATION OF DELL. IN ADDITION, NEITHER THIS SHEET NOR THE INFORMATION IT CONTAINS MAY BE USED BY OR DISCLOSED TO ANY THIRD PARTY WITHOUT DELL'S EXPRESS WRITTEN CONSENT.

Dell-Compal Confidential

Compal Electronics, Inc.

Title		Montara-GT (3/4)	
Size	Document Number	Rev 1.0	
	Ibiza LA-1684		
Date:	Friday, January 09, 2004	Sheet	11 of 48

Montara-GT

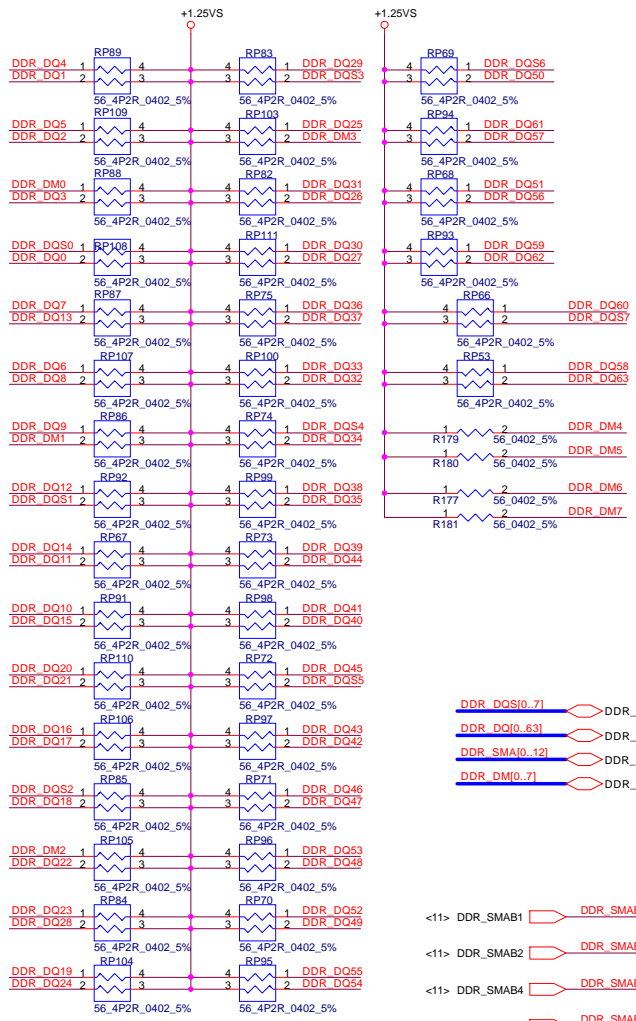


PROPRIETARY NOTE: THIS SHEET OF ENGINEERING DRAWING AND SPECIFICATIONS CONTAINS CONFIDENTIAL TRADE SECRET AND OTHER PROPRIETARY INFORMATION OF DELL INC. ("DELL"). THIS DOCUMENT MAY NOT BE TRANSFERRED OR COPIED WITHOUT THE EXPRESS WRITTEN AUTHORIZATION OF DELL. IN ADDITION, NEITHER THIS SHEET NOR THE INFORMATION IT CONTAINS MAY BE USED BY OR DISCLOSED TO ANY THIRD PARTY WITHOUT DELL'S EXPRESS WRITTEN CONSENT.

Dell-Compal Confidential

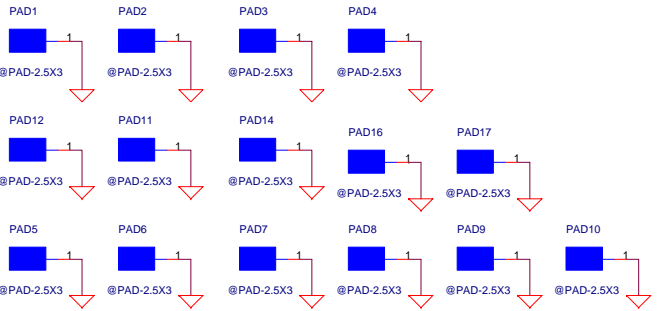
Compal Electronics, Inc.

File		Montara-GT(4/4)	
Size	Document Number	Ibiza LA-1684	
Date:	Friday, January 09, 2004	Sheet	12 of 48
Rev	1.0		

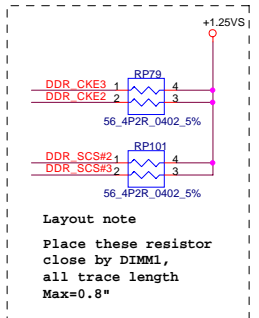
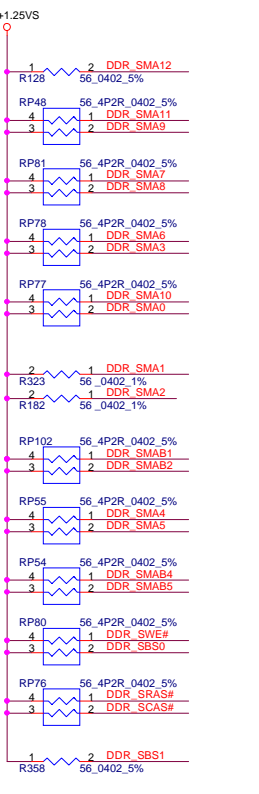
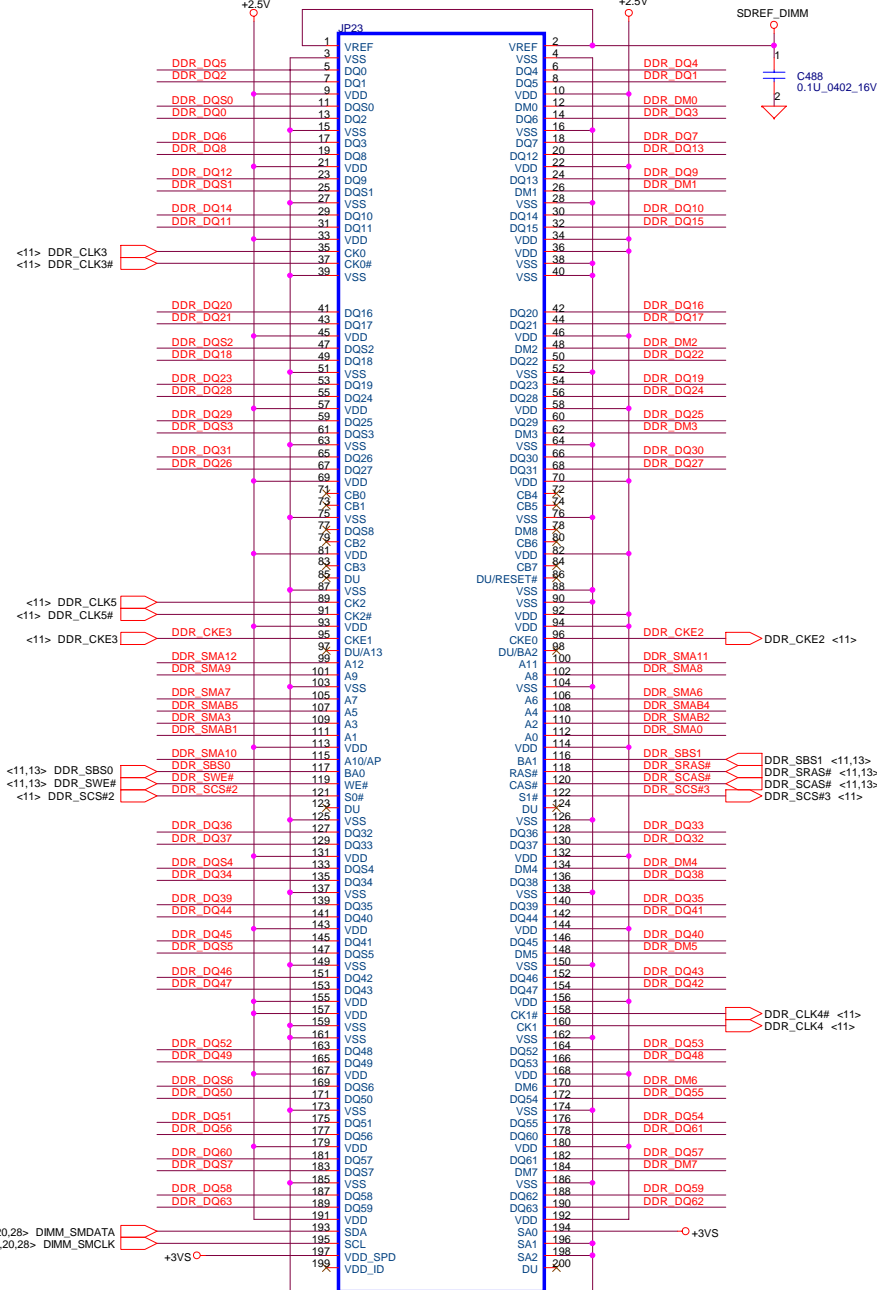


Layout note
Place these resistor closely DIMM1, all trace length<=800mil

EMI Clip PAD for Memory Door



DDR TOPOLOGY 2 FOR SMAA[0, 3, 6:12], SBA[1, 0], SRAS#, SCAS#, SWE#



Layout note
Place these resistor close by DIMM1, all trace length Max=0.8"



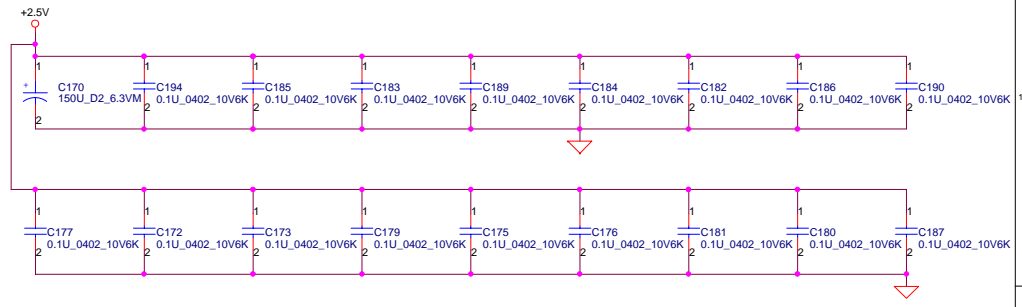
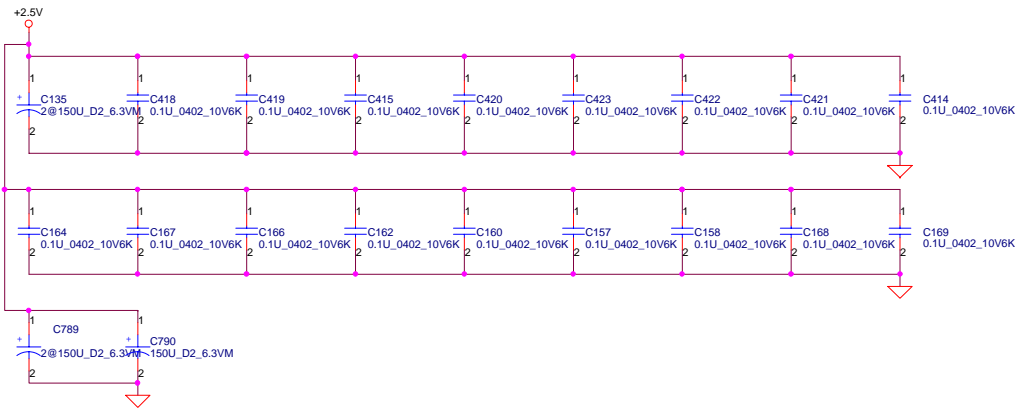
Dell-Compal Confidential

Compal Electronics, Inc.		
Title: DDR-SODIMM SLOT1		
Size	Document Number	Rev
	Ibiza LA-1684	1.0
Date:	Friday, January 09, 2004	Sheet 14 of 48

PROPRIETARY NOTE: THIS SHEET OF ENGINEERING DRAWING AND SPECIFICATIONS CONTAINS CONFIDENTIAL TRADE SECRET AND OTHER PROPRIETARY INFORMATION OF DELL INC. ('DELL') THIS DOCUMENT MAY NOT BE TRANSFERRED OR COPIED WITHOUT THE EXPRESS WRITTEN AUTHORIZATION OF DELL. IN ADDITION, NEITHER THIS SHEET NOR THE INFORMATION IT CONTAINS MAY BE USED BY OR DISCLOSED TO ANY THIRD PARTY WITHOUT DELL'S EXPRESS WRITTEN CONSENT.

Layout note :
Distribute as close as possible to DDR-SODIMM0.

Layout note :
Distribute as close as possible to DDR-SODIMM1.



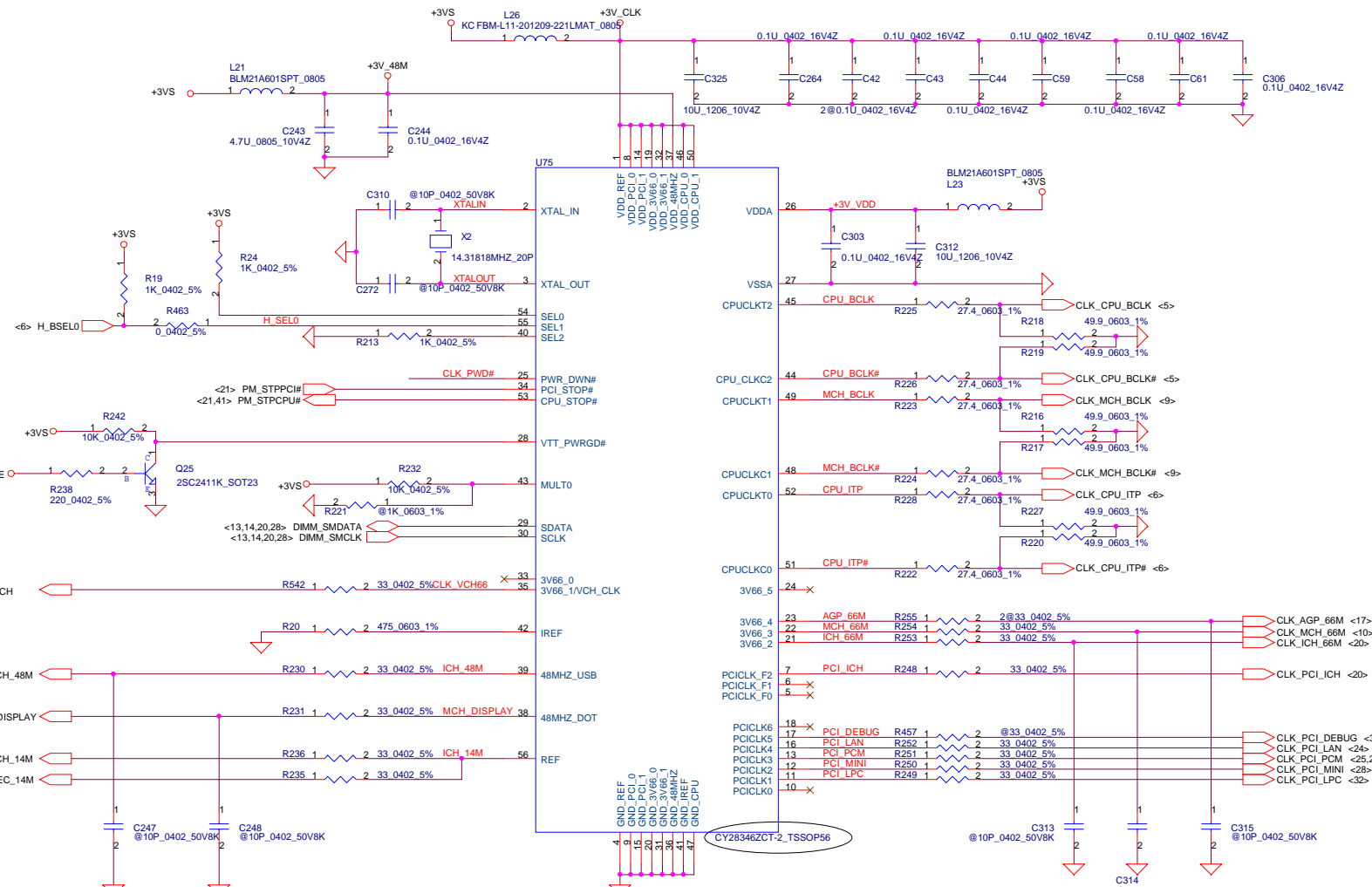
Layout note :
Place one cap close to every 2 pull up resistors termination to +1.25VS



PROPRIETARY NOTE: THIS SHEET OF ENGINEERING DRAWING AND SPECIFICATIONS CONTAINS CONFIDENTIAL TRADE SECRET AND OTHER PROPRIETARY INFORMATION OF DELL INC. ("DELL") THIS DOCUMENT MAY NOT BE TRANSFERRED OR COPIED WITHOUT THE EXPRESS WRITTEN AUTHORIZATION OF DELL. IN ADDITION, NEITHER THIS SHEET NOR THE INFORMATION IT CONTAINS MAY BE USED BY OR DISCLOSED TO ANY THIRD PARTY WITHOUT DELL'S EXPRESS WRITTEN CONSENT.

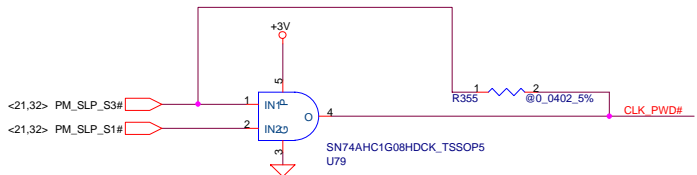
Dell-Compal Confidential

Compal Electronics, Inc.		
Title DDR SODIMM Decoupling		
Size	Document Number Ibiza LA-1684	Rev 1.0
Date: Friday, January 09, 2004	Sheet 15 of 48	



CPU Frequency Select Table

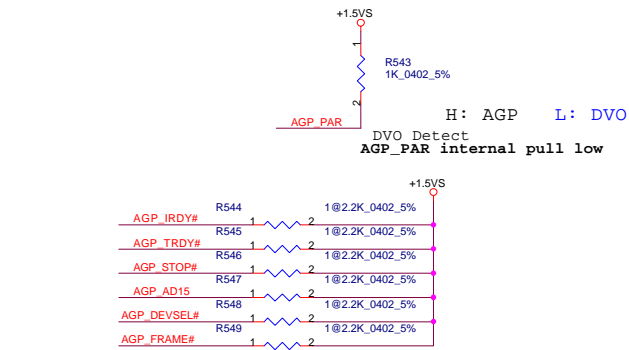
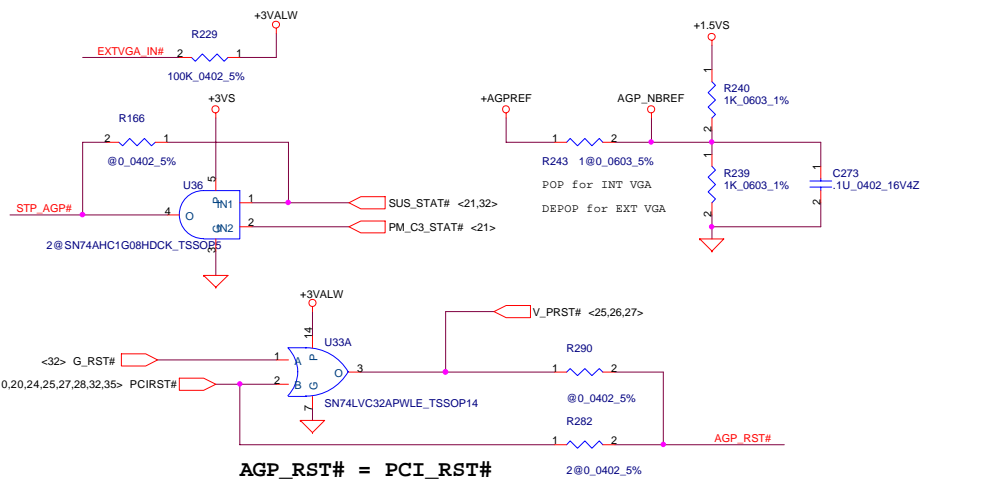
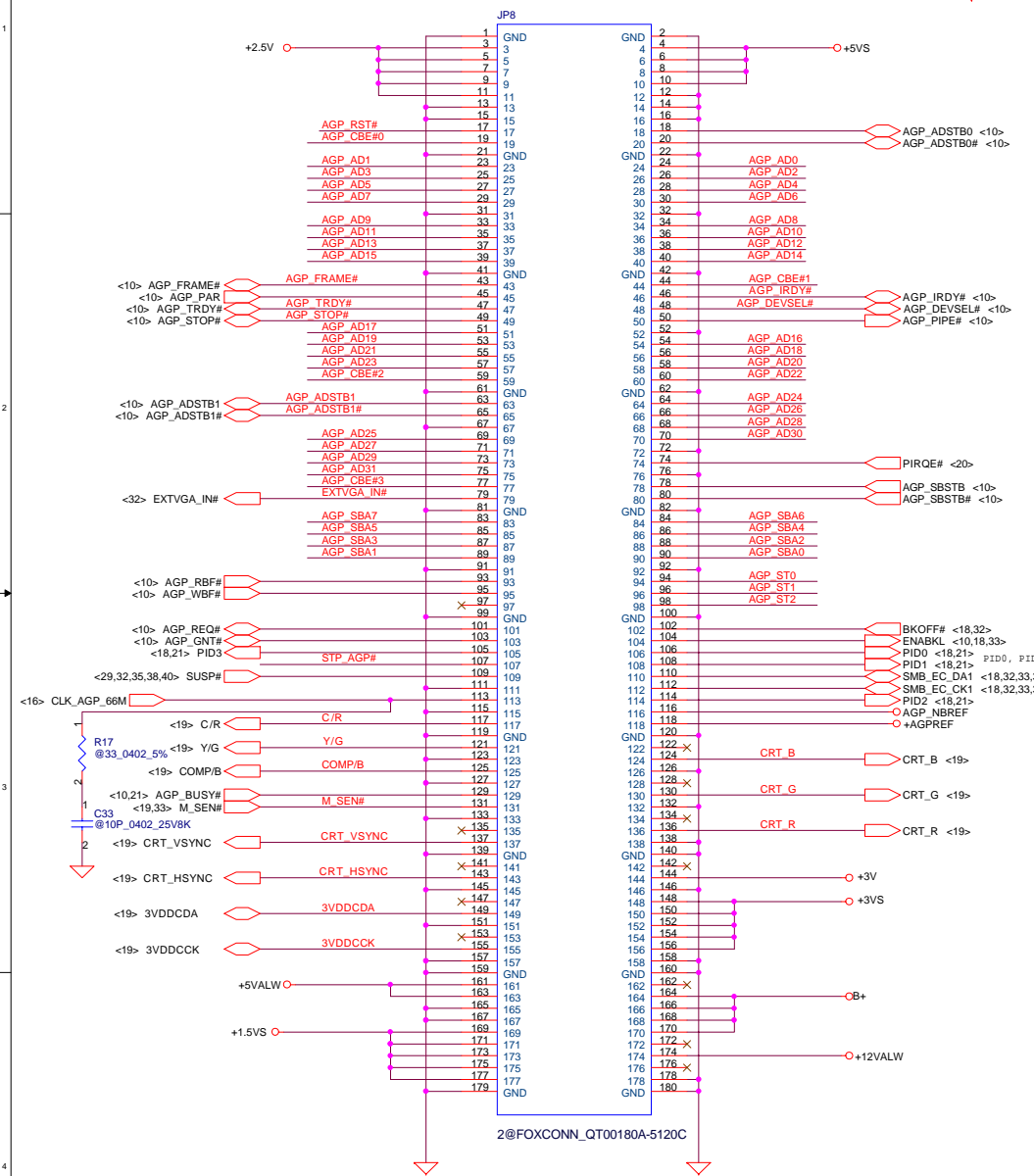
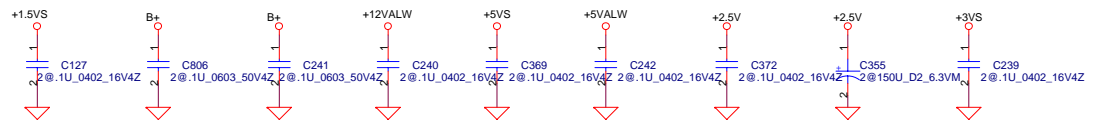
SEL[2:0]	CK-408 Speed
001	100 MHZ
011	133 MHZ



PROPRIETARY NOTE: THIS SHEET OF ENGINEERING DRAWING AND SPECIFICATIONS CONTAINS CONFIDENTIAL TRADE SECRET AND OTHER PROPRIETARY INFORMATION OF DELL INC. ('DELL') THIS DOCUMENT MAY NOT BE TRANSFERRED OR COPIED WITHOUT THE EXPRESS WRITTEN AUTHORIZATION OF DELL. IN ADDITION, NEITHER THIS SHEET NOR THE INFORMATION IT CONTAINS MAY BE USED BY OR DISCLOSED TO ANY THIRD PARTY WITHOUT DELL'S EXPRESS WRITTEN CONSENT.



<10> AGP_ST[0..2] AGP ST[0..2]
 <10> AGP_SBA[0..7] AGP SBA[0..7]
 <10> AGP_AD[0..31] AGP AD[0..31]
 <10> AGP_CBE#[0..3] AGP CBE#[0..3]



* EXTVGA_IN#
 1: internal graphic
 2: external AGP

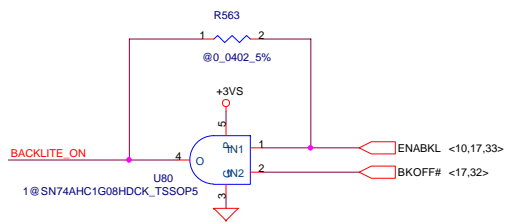
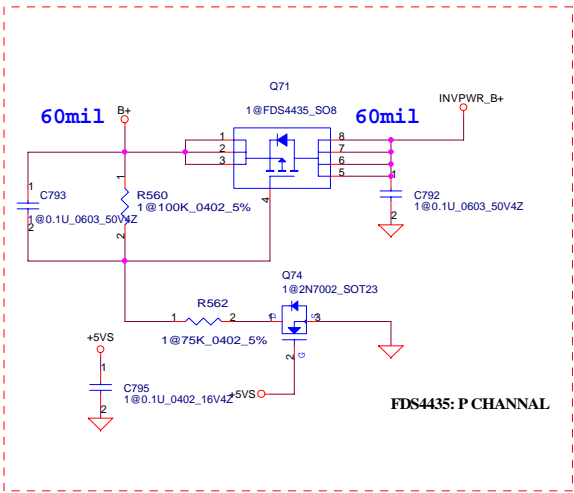
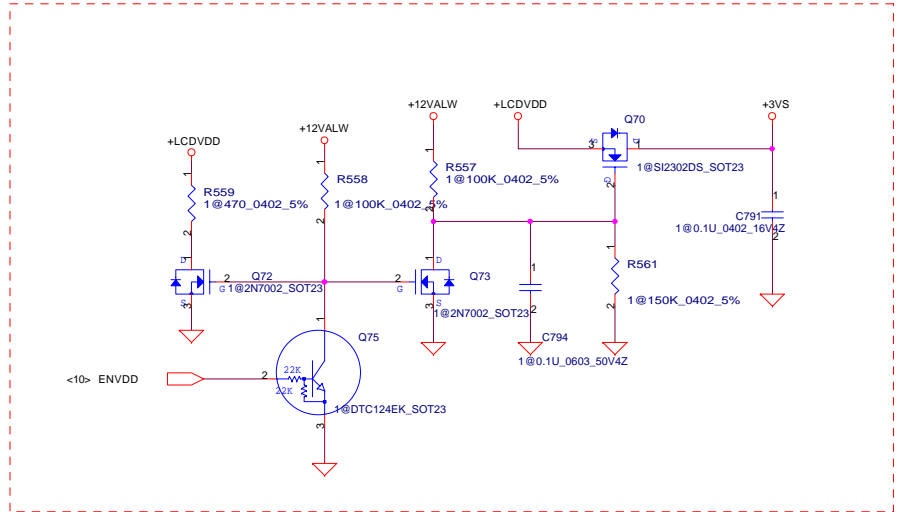
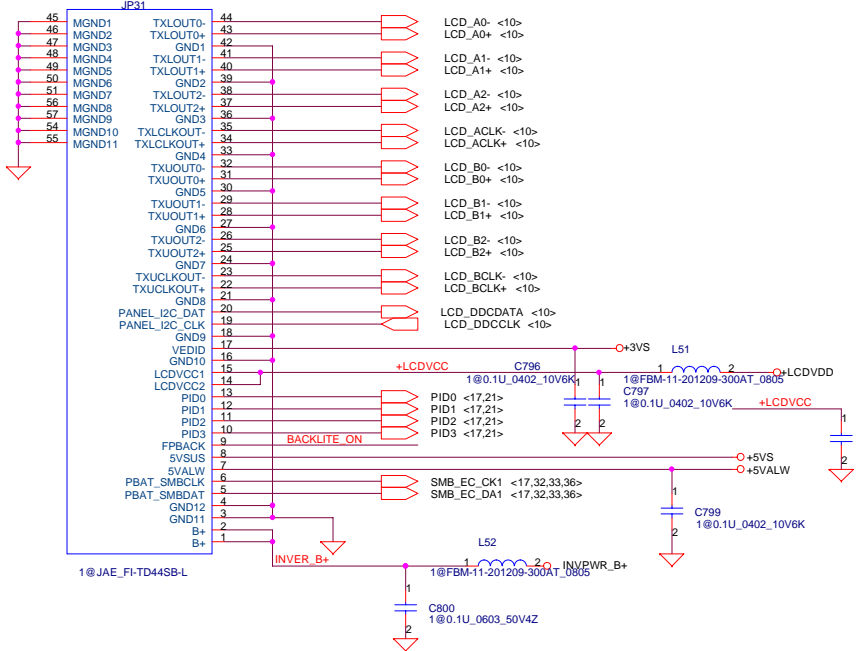


PROPRIETARY NOTE: THIS SHEET OF ENGINEERING DRAWING AND SPECIFICATIONS CONTAINS CONFIDENTIAL TRADE SECRET AND OTHER PROPRIETARY INFORMATION OF DELL INC. ('DELL') THIS DOCUMENT MAY NOT BE TRANSFERRED OR COPIED WITHOUT THE EXPRESS WRITTEN AUTHORIZATION OF DELL. IN ADDITION, NEITHER THIS SHEET NOR THE INFORMATION IT CONTAINS MAY BE USED BY OR DISCLOSED TO ANY THIRD PARTY WITHOUT DELL'S EXPRESS WRITTEN CONSENT.

Dell-Compal Confidential

Compal Electronics, Inc.

File		External AGP	
Size	Document Number	Ibiza LA-1684	
Date:	Friday, January 09, 2004	Sheet	17 of 48
		Rev	1.0



Dell-Compal Confidential

Compal Electronics, Inc.

Internal LVDS

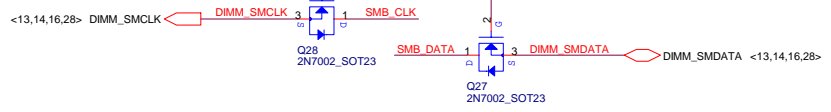
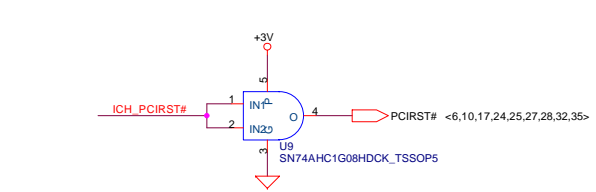
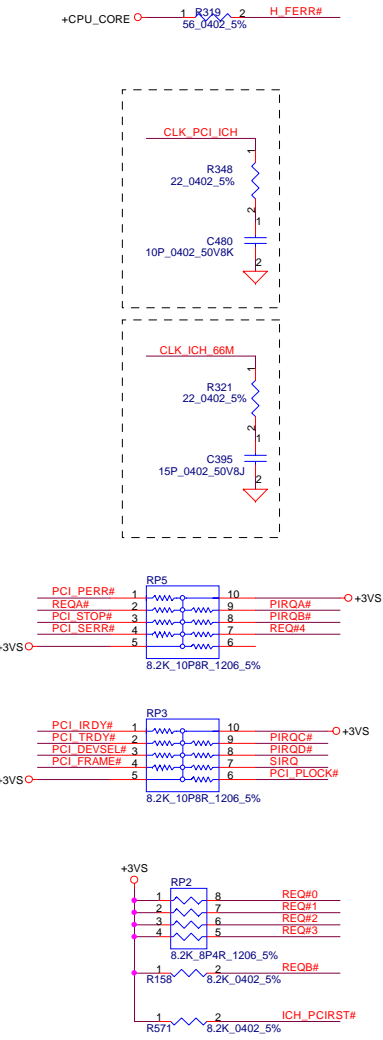
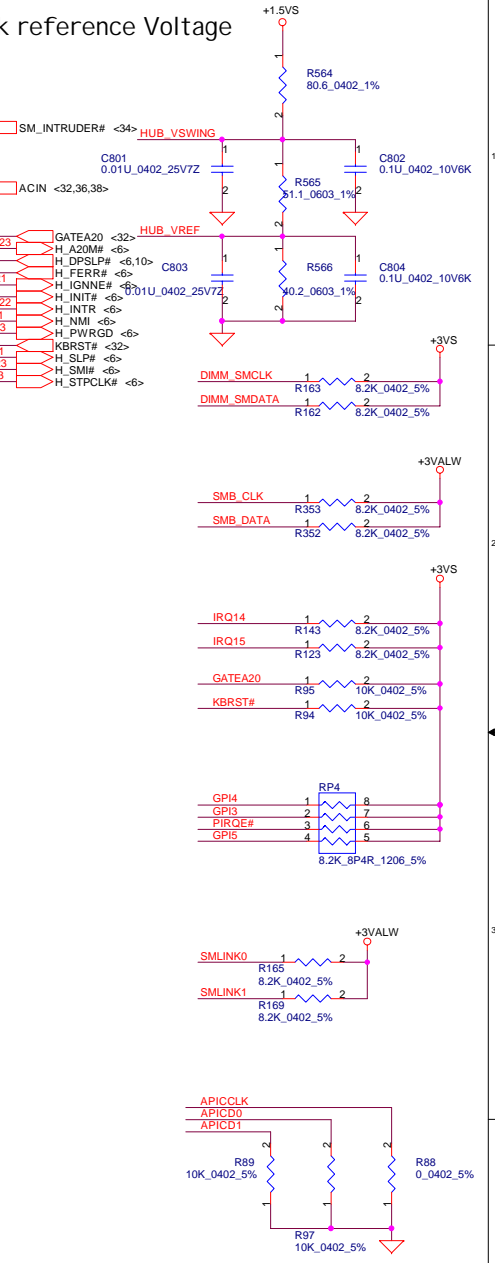
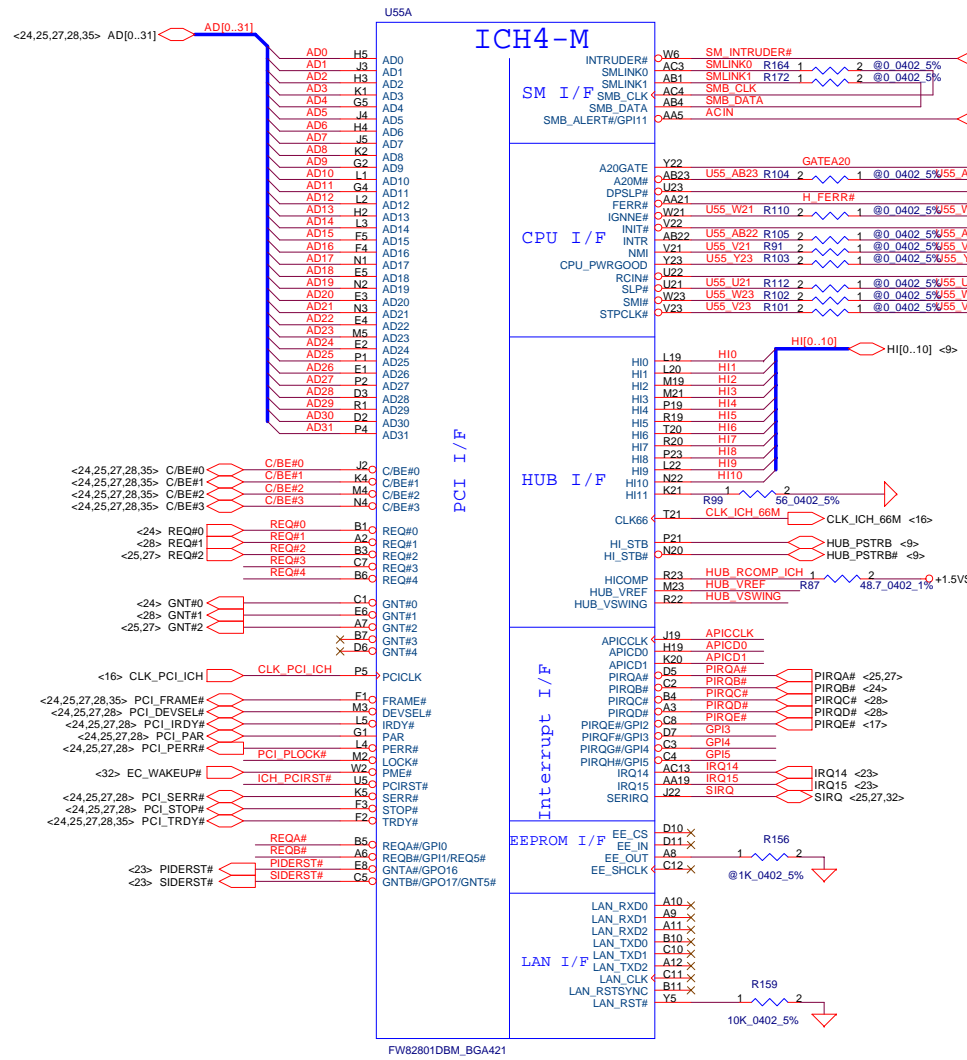
Document Number
Ibiza LA-1684

Date: Friday, January 09, 2004 Sheet 18 of 48

PROPRIETARY NOTE: THIS SHEET OF ENGINEERING DRAWING AND SPECIFICATIONS CONTAINS CONFIDENTIAL TRADE SECRET AND OTHER PROPRIETARY INFORMATION OF DELL INC. ('DELL') THIS DOCUMENT MAY NOT BE TRANSFERRED OR COPIED WITHOUT THE EXPRESS WRITTEN AUTHORIZATION OF DELL. IN ADDITION, NEITHER THIS SHEET NOR THE INFORMATION IT CONTAINS MAY BE USED BY OR DISCLOSED TO ANY THIRD PARTY WITHOUT DELL'S EXPRESS WRITTEN CONSENT.



HUBLink reference Voltage



PROPRIETARY NOTE: THIS SHEET OF ENGINEERING DRAWING AND SPECIFICATIONS CONTAINS CONFIDENTIAL TRADE SECRET AND OTHER PROPRIETARY INFORMATION OF DELL INC. ('DELL'). THIS DOCUMENT MAY NOT BE TRANSFERRED OR COPIED WITHOUT THE EXPRESS WRITTEN AUTHORIZATION OF DELL. IN ADDITION, NEITHER THIS SHEET NOR THE INFORMATION IT CONTAINS MAY BE USED BY OR DISCLOSED TO ANY THIRD PARTY WITHOUT DELL'S EXPRESS WRITTEN CONSENT.

Dell-Compal Confidential

Compal Electronics, Inc.

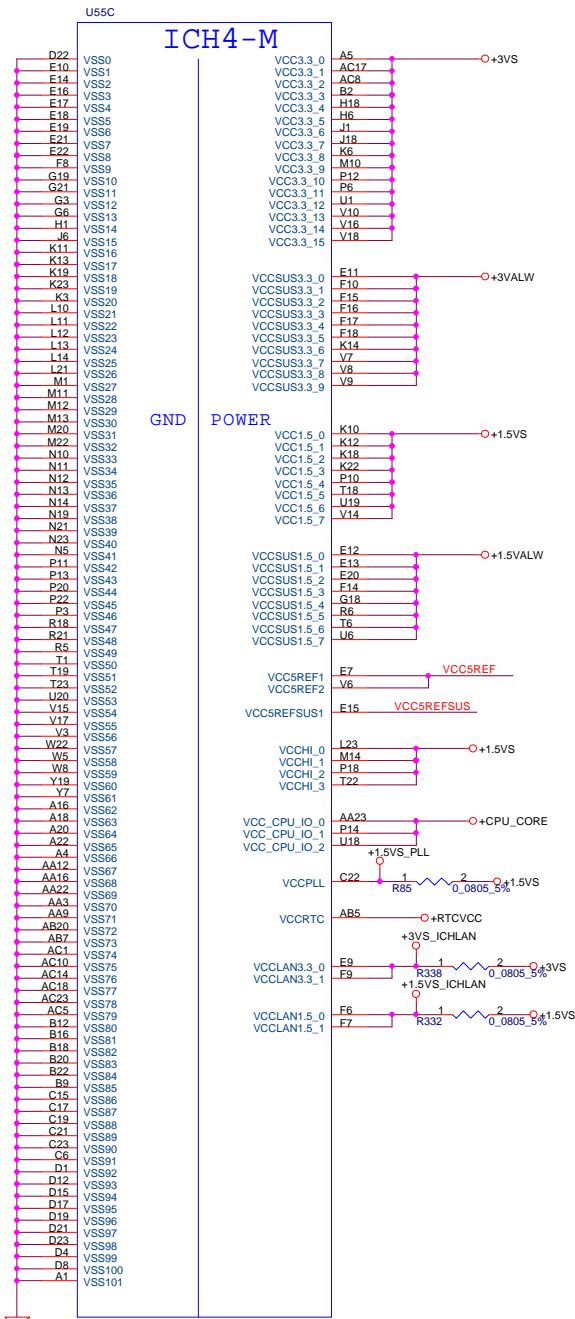
File: INTELICH4(I/3)

Size: Document Number
Ibiza LA-1684

Date: Friday, January 09, 2004

Sheet: 20 of 48

Rev: 1.0



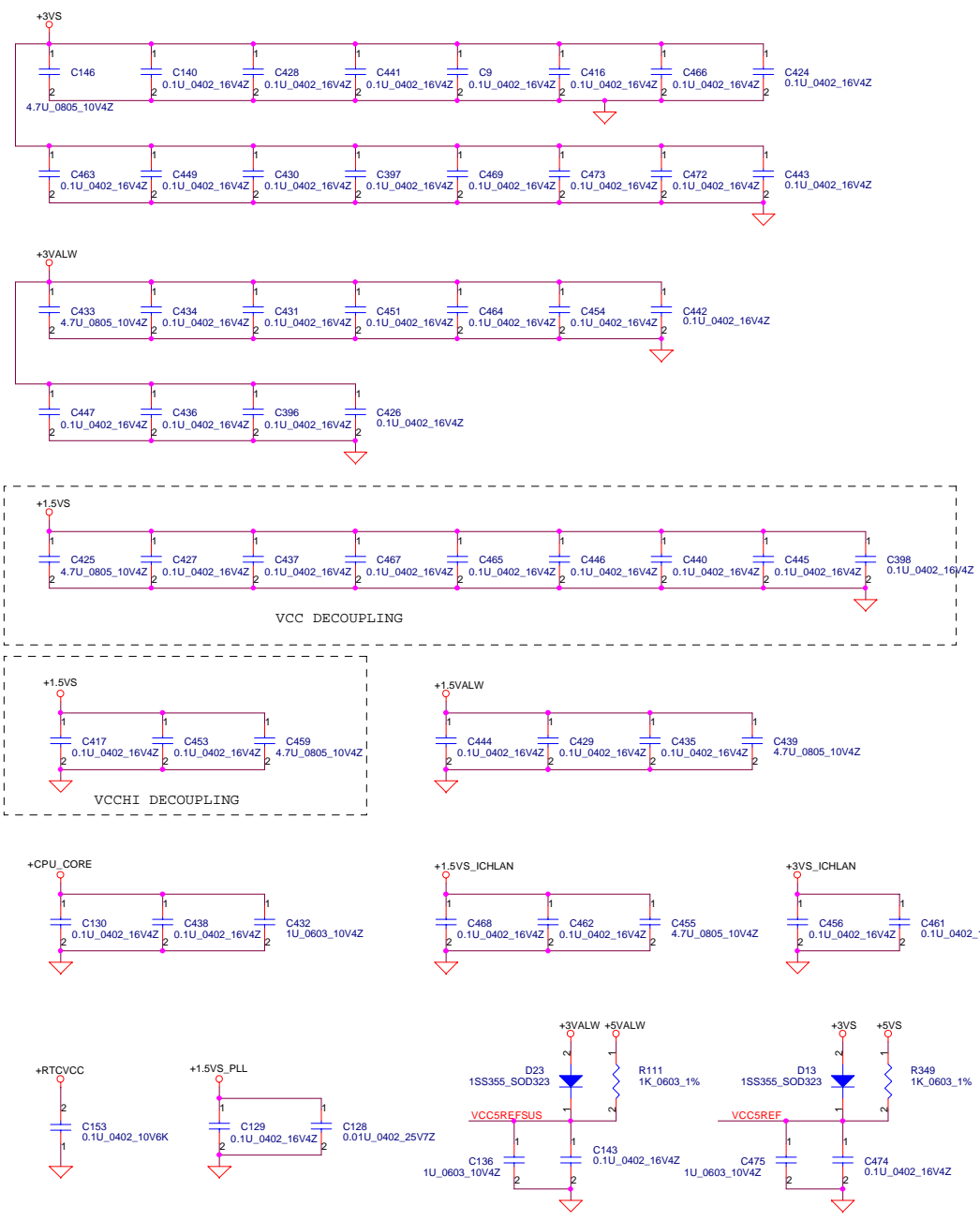
U55C

ICH4-M

GND POWER

FW82801DBM_BGA421

ICH4-M



Dell-Compal Confidential

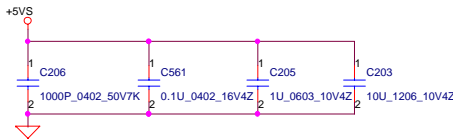
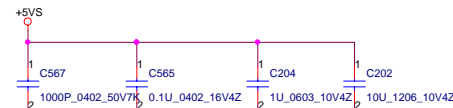
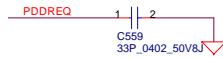
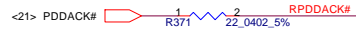
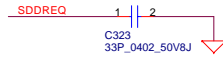
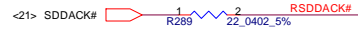
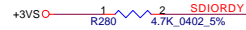
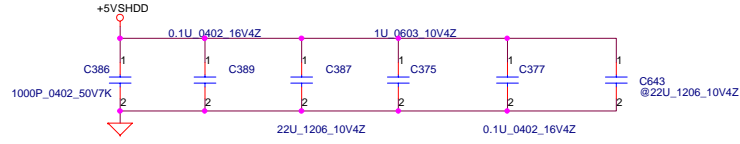
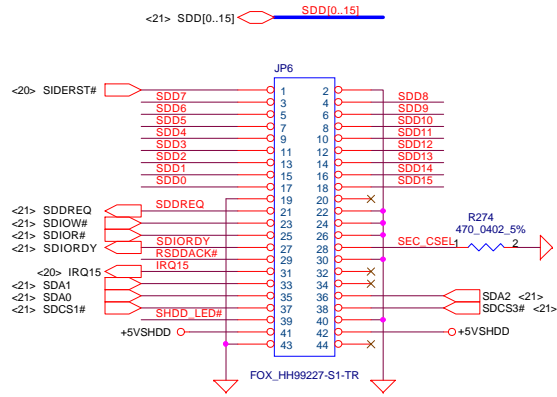
Compal Electronics, Inc.

Title		INTELICH4(3/3)	
Size	Document Number	Ibiza LA-1684	
Date:	Friday, January 09, 2004	Sheet	22 of 48
			Rev 1.0

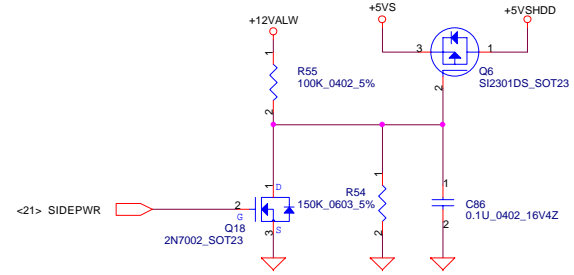
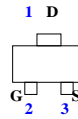
PROPRIETARY NOTE: THIS SHEET OF ENGINEERING DRAWING AND SPECIFICATIONS CONTAINS CONFIDENTIAL TRADE SECRET AND OTHER PROPRIETARY INFORMATION OF DELL INC. ('DELL') THIS DOCUMENT MAY NOT BE TRANSFERRED OR COPIED WITHOUT THE EXPRESS WRITTEN AUTHORIZATION OF DELL. IN ADDITION, NEITHER THIS SHEET NOR THE INFORMATION IT CONTAINS MAY BE USED BY OR DISCLOSED TO ANY THIRD PARTY WITHOUT DELL'S EXPRESS WRITTEN CONSENT.



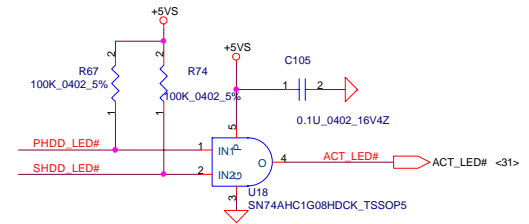
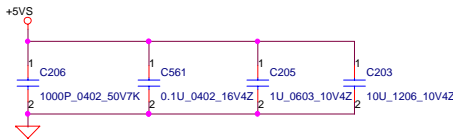
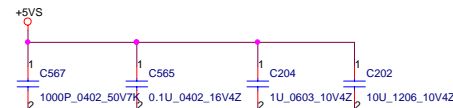
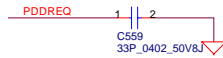
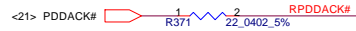
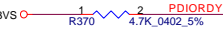
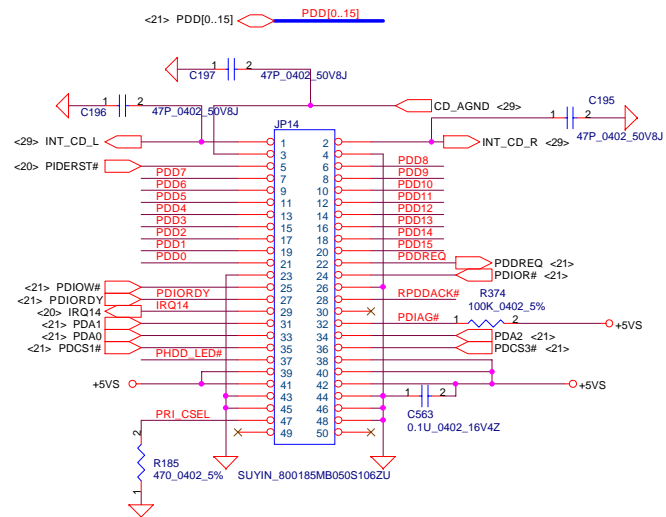
HDD Connector



SI2301DS: P CHANNEL
 VGS: -4.5V, RDS: 130 mOHM
 VGS: -2.5V, RDS: 190mOHM
 Id(MAX): 2.3A
 VGS(MAX): +-8V



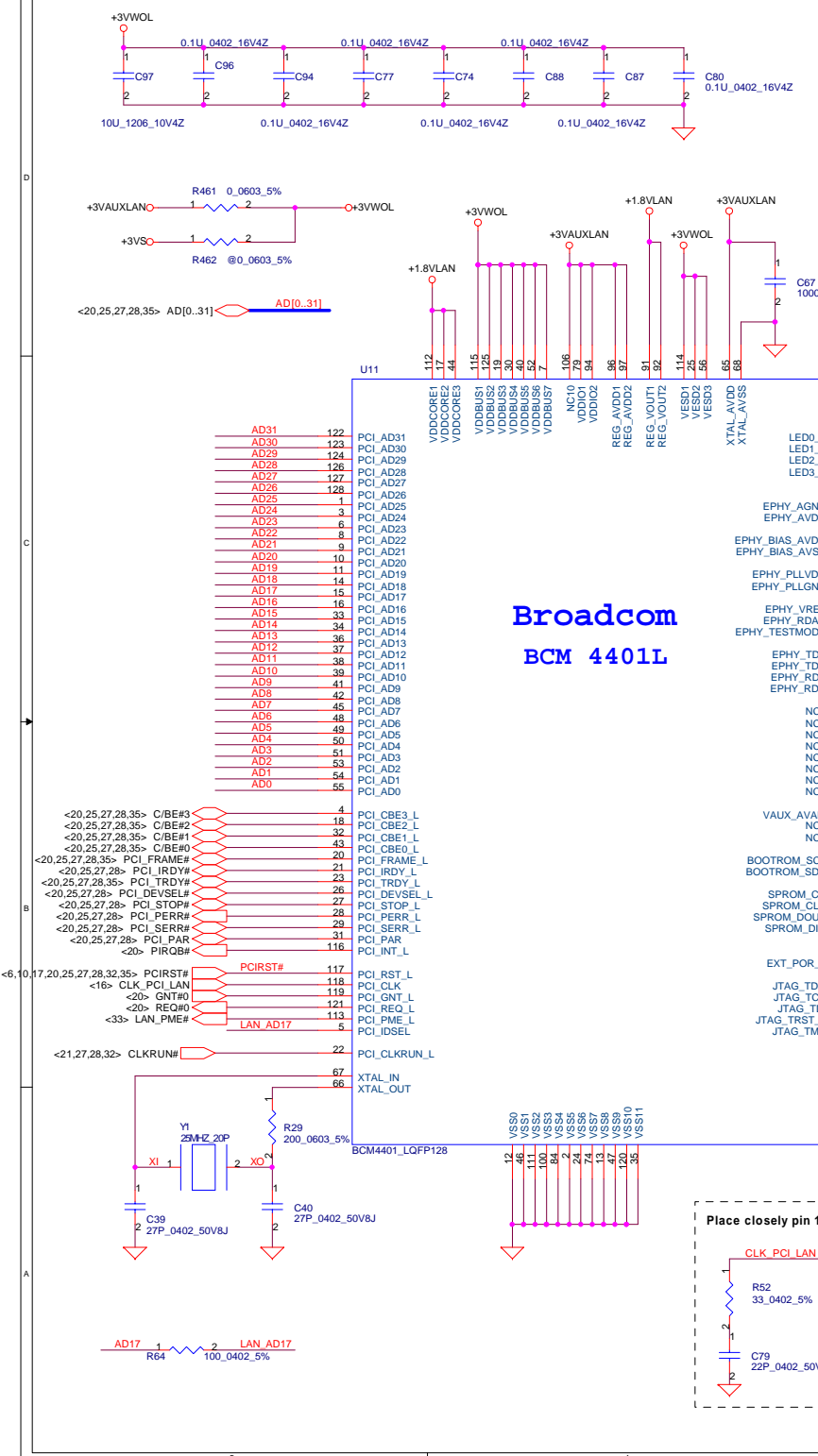
CD-ROM Connector



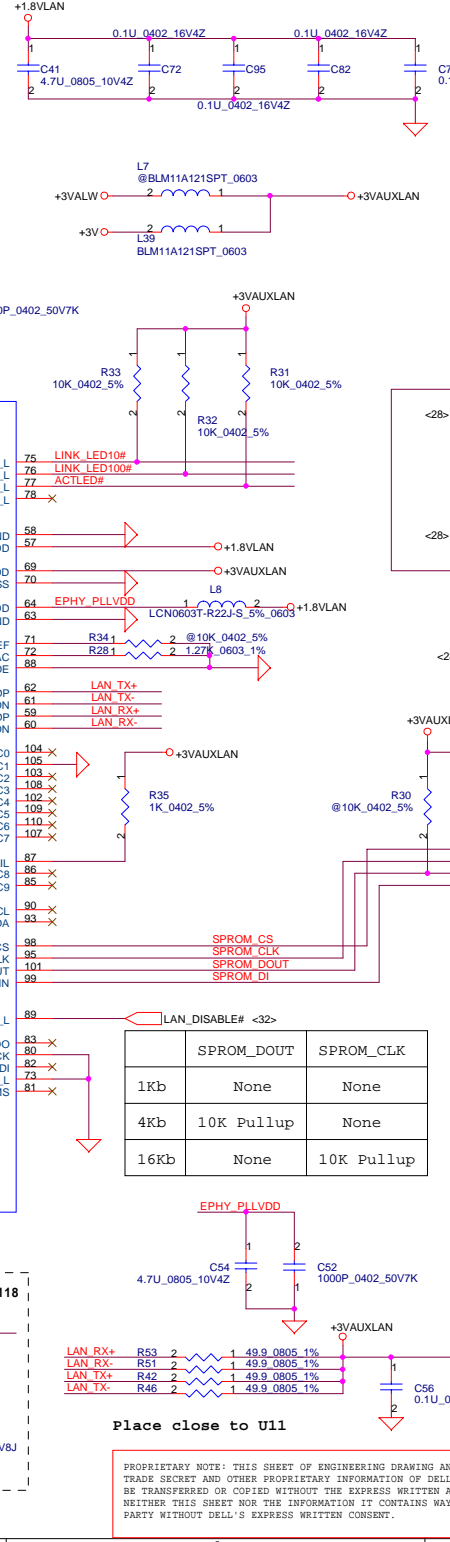
Dell-Compal Confidential

Compal Electronics, Inc.		
Title: IDE/FDD/CD-ROM Module		
Size: Document Number	Rev: 1.0	
Date: Friday, January 09, 2004		Sheet: 23 of 48

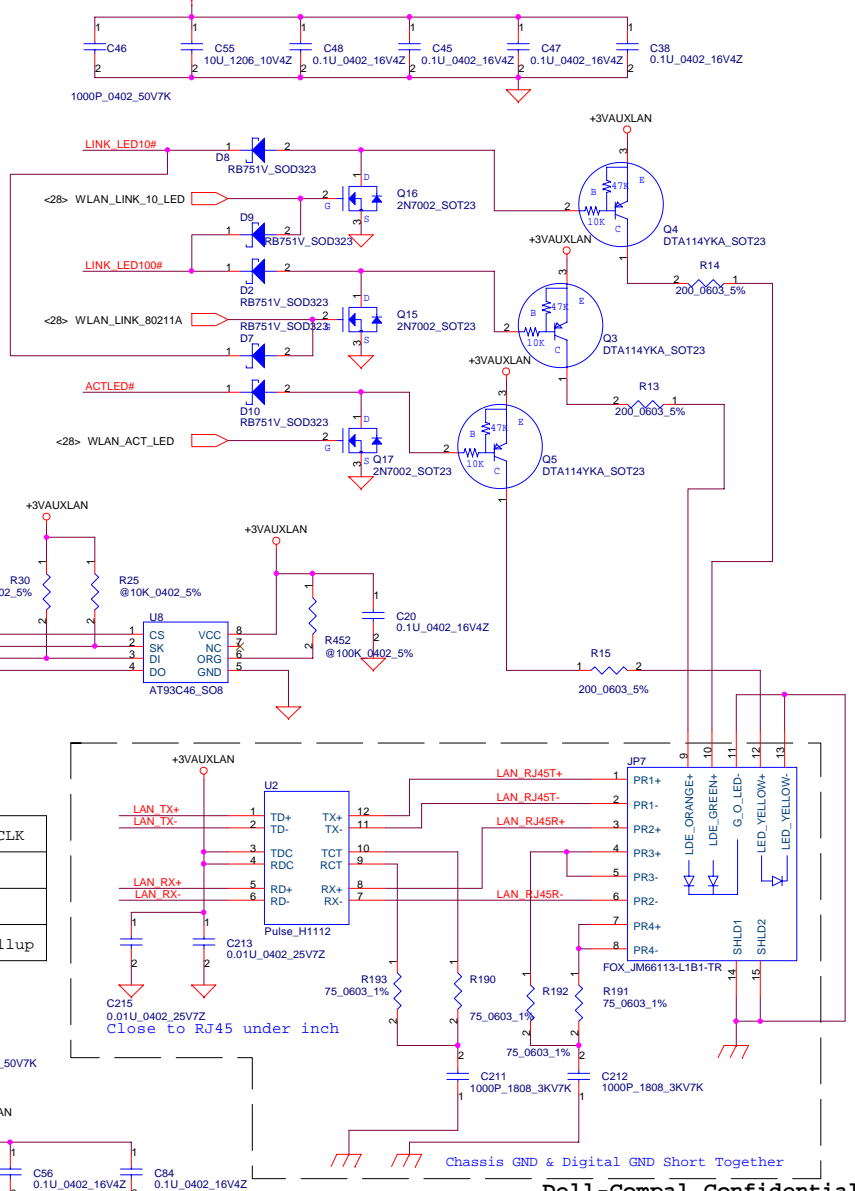
PROPRIETARY NOTE: THIS SHEET OF ENGINEERING DRAWING AND SPECIFICATIONS CONTAINS CONFIDENTIAL TRADE SECRET AND OTHER PROPRIETARY INFORMATION OF DELL INC. ("DELL") THIS DOCUMENT MAY NOT BE TRANSFERRED OR COPIED WITHOUT THE EXPRESS WRITTEN AUTHORIZATION OF DELL. IN ADDITION, NEITHER THIS SHEET NOR THE INFORMATION IT CONTAINS MAY BE USED BY OR DISCLOSED TO ANY THIRD PARTY WITHOUT DELL'S EXPRESS WRITTEN CONSENT.



**Broadcom
BCM 4401L**



WLAN	LOM	LED (JP28)
WLAN_LINK_80211A	LINK_LED100#	ORANGE (100M)
WLAN_LINK_10_LDE	LINK_LED10#	GREEN (10M)
WLAN_ACT_LED	ACTLED#	YELLOW
WLAN_LINK_80211A		
WLAN_LINK_10_LDE	NC	ORANGE/GREEN



Dell-Compal Confidential

Compal Electronics, Inc.

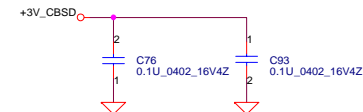
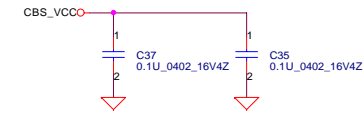
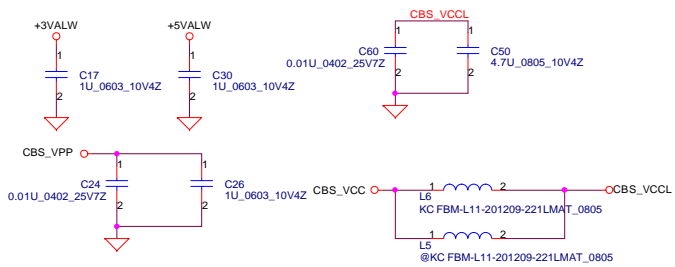
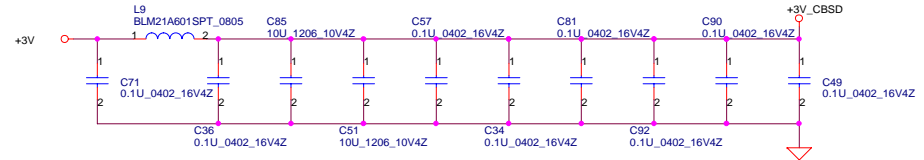
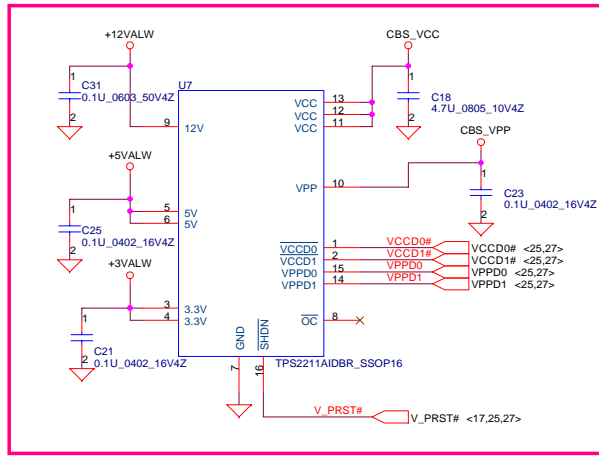
File: **BROADCOM 4401L LAN**

Size: Document Number
Ibiza LA-1684

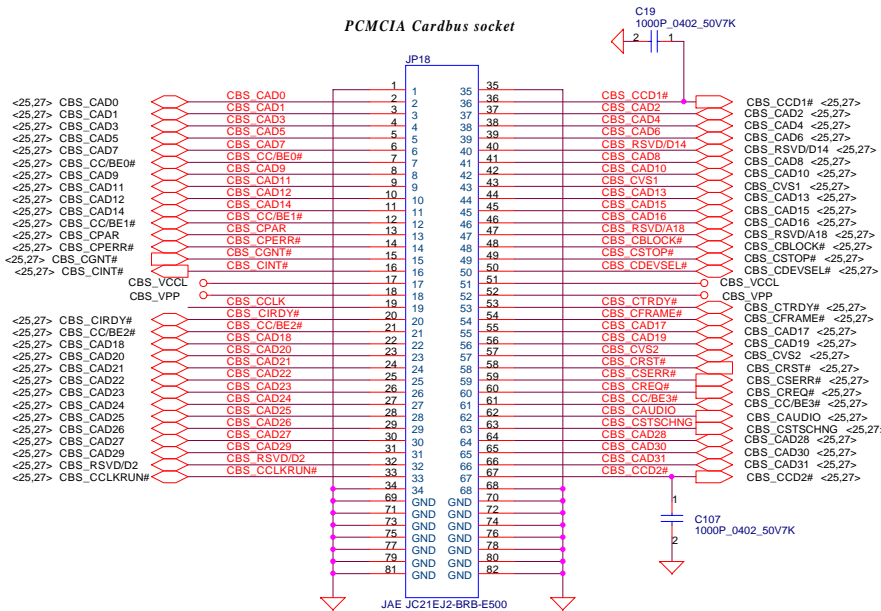
Date: Friday, January 09, 2004 Sheet 24 of 48

PROPRIETARY NOTE: THIS SHEET OF ENGINEERING DRAWING AND SPECIFICATIONS CONTAINS CONFIDENTIAL TRADE SECRET AND OTHER PROPRIETARY INFORMATION OF DELL INC. ('DELL'). THIS DOCUMENT MAY NOT BE TRANSFERRED OR COPIED WITHOUT THE EXPRESS WRITTEN AUTHORIZATION OF DELL. IN ADDITION, NEITHER THIS SHEET NOR THE INFORMATION IT CONTAINS MAY BE USED BY OR DISCLOSED TO ANY THIRD PARTY WITHOUT DELL'S EXPRESS WRITTEN CONSENT.

PCMCIA Power Controller



PCMCIA Cardbus socket



Dell-Compal Confidential

Compal Electronics, Inc.

Title: PCMCIA Socket

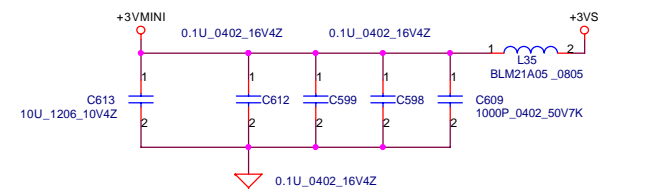
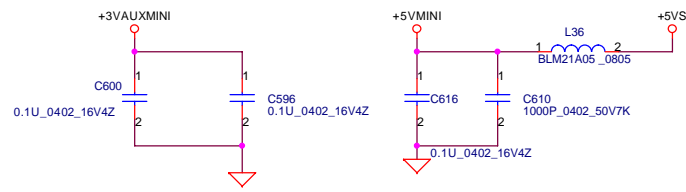
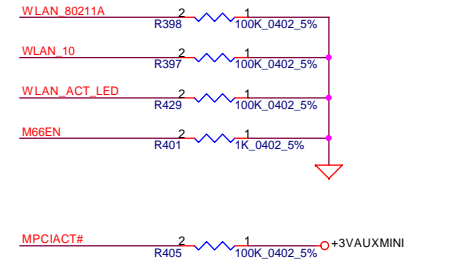
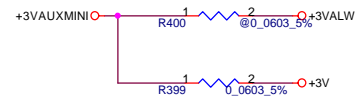
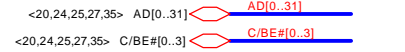
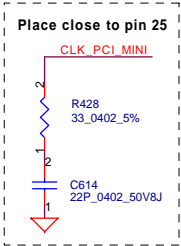
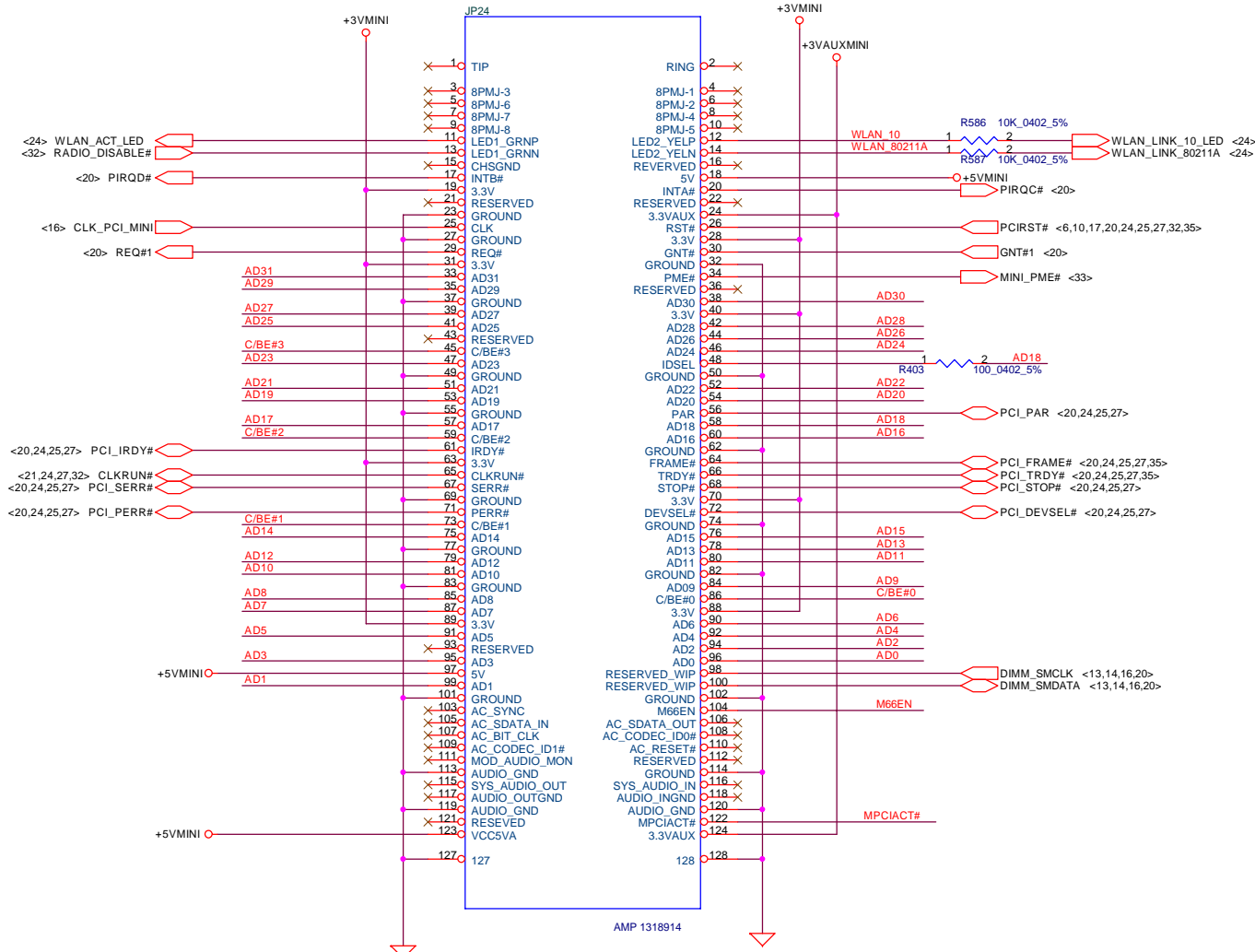
Size: Document Number
Ibiza LA-1684

Date: Friday, January 09, 2004 Sheet 26 of 48

PROPRIETARY NOTE: THIS SHEET OF ENGINEERING DRAWING AND SPECIFICATIONS CONTAINS CONFIDENTIAL TRADE SECRET AND/OR OTHER PROPRIETARY INFORMATION OF DELL INC. ("DELL"). THIS DOCUMENT MAY NOT BE TRANSFERRED OR COPIED WITHOUT THE EXPRESS WRITTEN AUTHORIZATION OF DELL. IN ADDITION, NEITHER THIS SHEET NOR THE INFORMATION IT CONTAINS MAY BE USED BY OR DISCLOSED TO ANY THIRD PARTY WITHOUT DELL'S EXPRESS WRITTEN CONSENT.



MINI PCI TYPE III



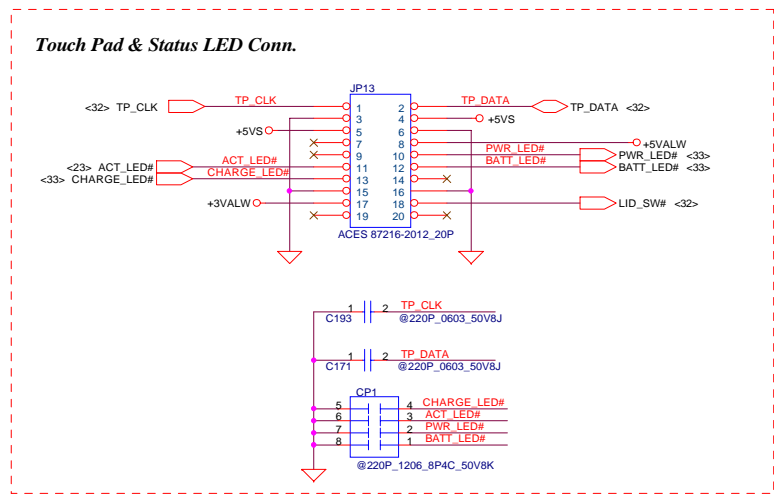
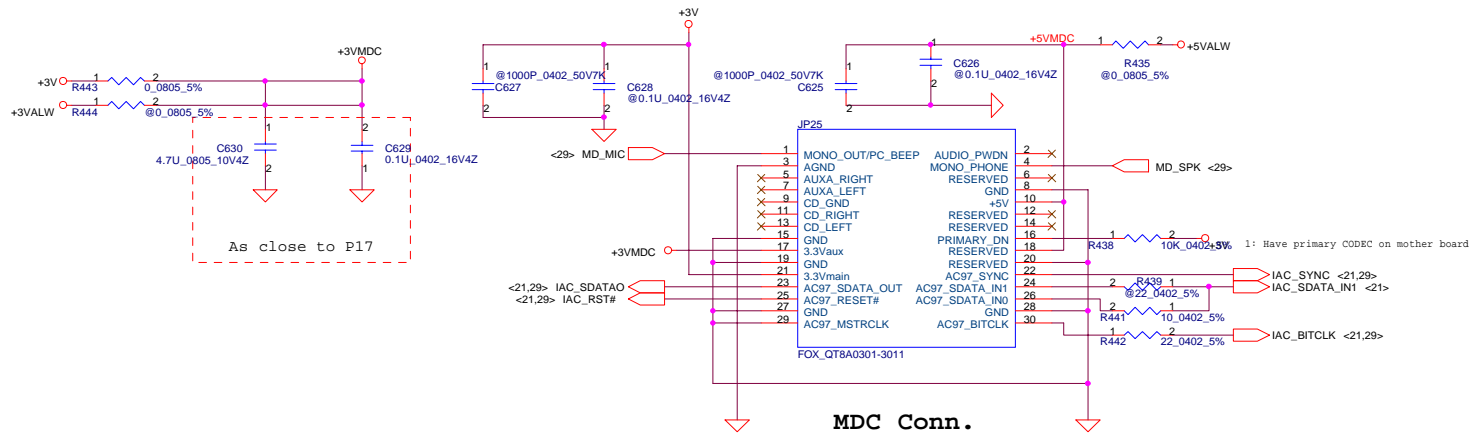
WIRELESS SUPPORT ONLY

Dell-Compal Confidential
Compal Electronics, Inc.

MiniPci Port

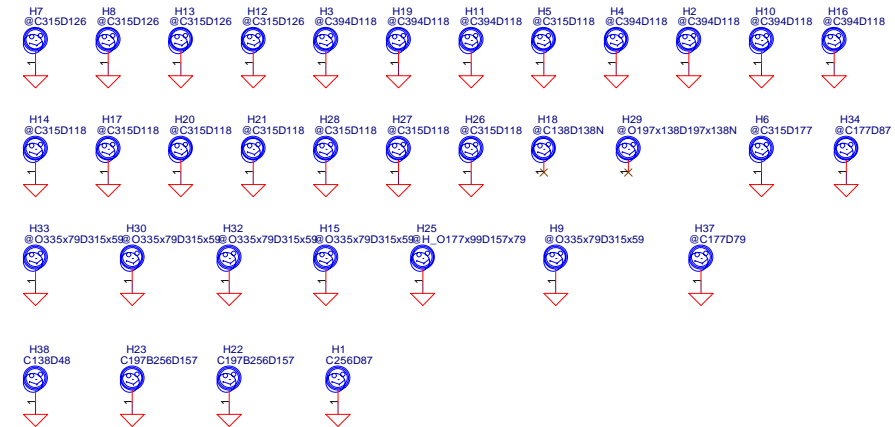
Size	Document Number	Rev
	Ibiza LA-1684	1.0
Date:	Friday, January 09, 2004	Sheet 28 of 48

PROPRIETARY NOTE: THIS SHEET OF ENGINEERING DRAWING AND SPECIFICATIONS CONTAINS CONFIDENTIAL TRADE SECRET AND OTHER PROPRIETARY INFORMATION OF DELL INC. ("DELL") THIS DOCUMENT MAY NOT BE TRANSFERRED OR COPIED WITHOUT THE EXPRESS WRITTEN AUTHORIZATION OF DELL. IN ADDITION, NEITHER THIS SHEET NOR THE INFORMATION IT CONTAINS MAY BE USED BY OR DISCLOSED TO ANY THIRD PARTY WITHOUT DELL'S EXPRESS WRITTEN CONSENT.

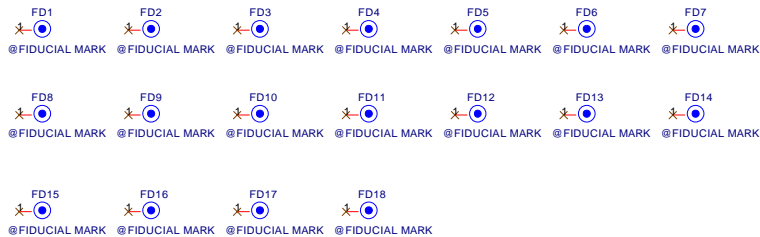


MDC Note
 Pin 1 is NC for Pctel and connexant MDC modem
 Pin 2 is NC for Pctel and connexant MDC modem

Screw Hole



Fiducial Mark

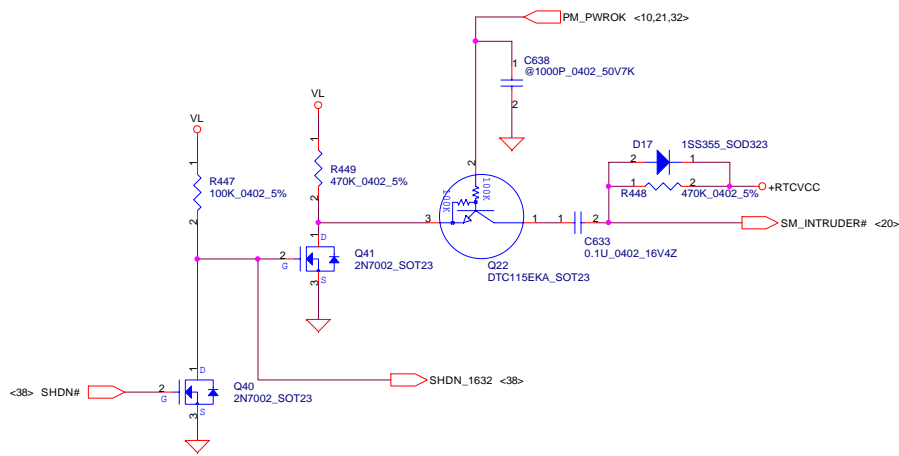


PROPRIETARY NOTE: THIS SHEET OF ENGINEERING DRAWING AND SPECIFICATIONS CONTAINS CONFIDENTIAL TRADE SECRET AND OTHER PROPRIETARY INFORMATION OF DELL INC. ("DELL") THIS DOCUMENT MAY NOT BE TRANSFERRED OR COPIED WITHOUT THE EXPRESS WRITTEN AUTHORIZATION OF DELL. IN ADDITION, NEITHER THIS SHEET NOR THE INFORMATION IT CONTAINS MAY BE USED BY OR DISCLOSED TO ANY THIRD PARTY WITHOUT DELL'S EXPRESS WRITTEN CONSENT.

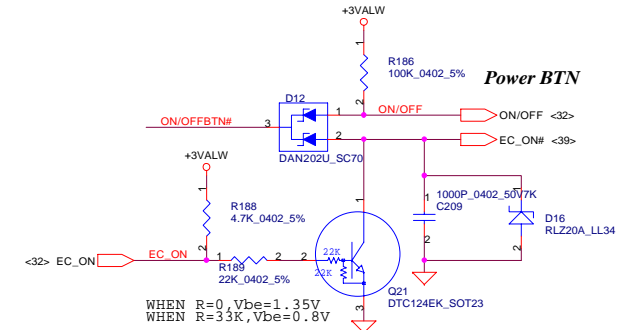
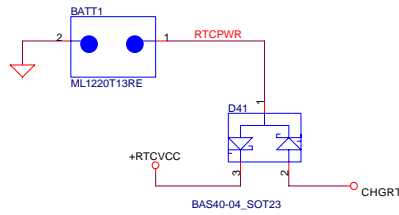
Dell-Compal Confidential

Compal Electronics, Inc.

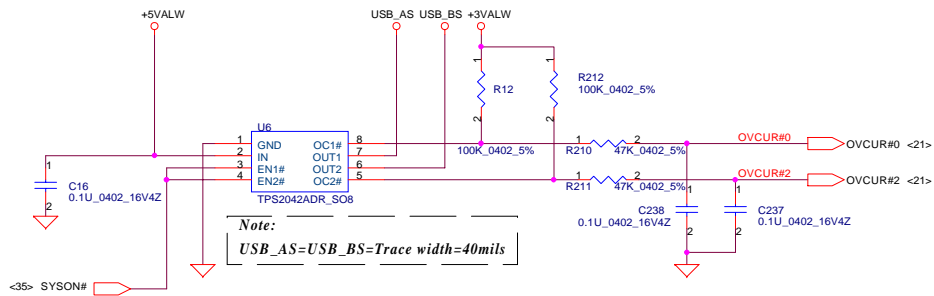
Title		MDC/SWITCH Connector	
Size	Document Number	Rev	
	Ibiza LA-1684	1.0	
Date:	Friday, January 09, 2004	Sheet	31 of 48



RTC Battery

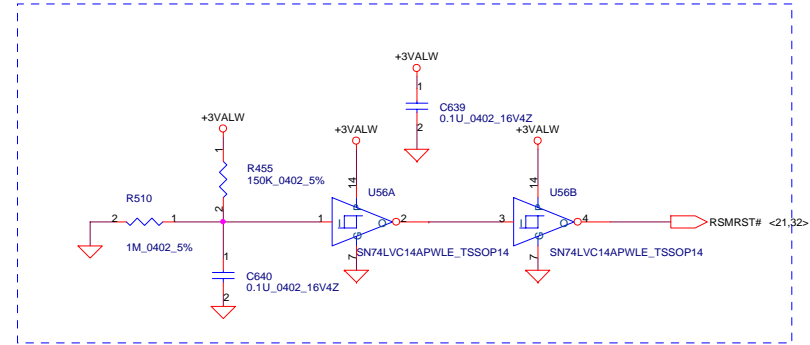
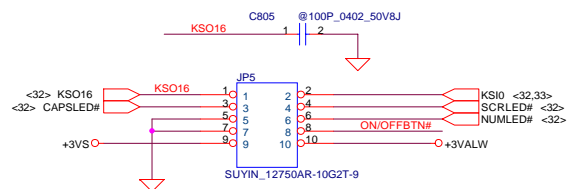


USB Over Current

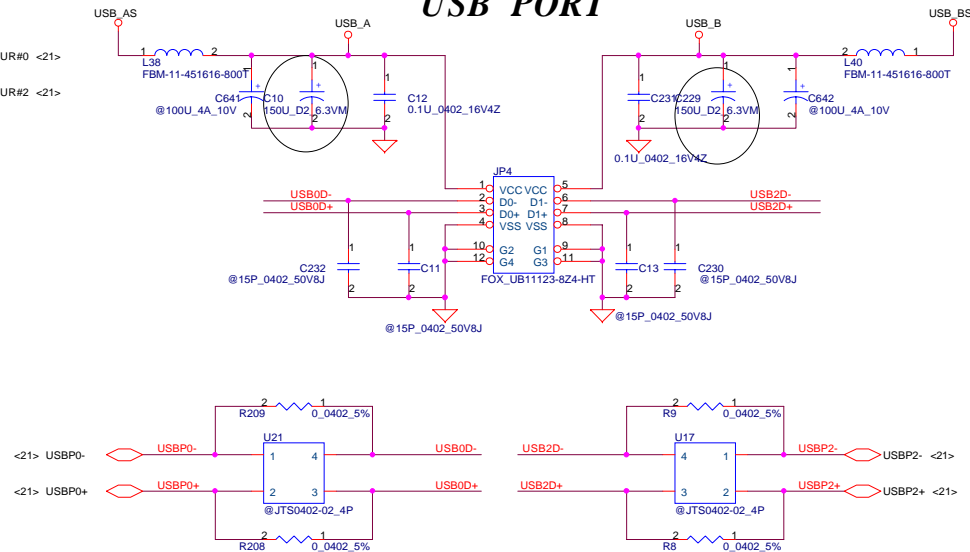


Note:
 USB_AS=USB_BS=Trace width=40mils

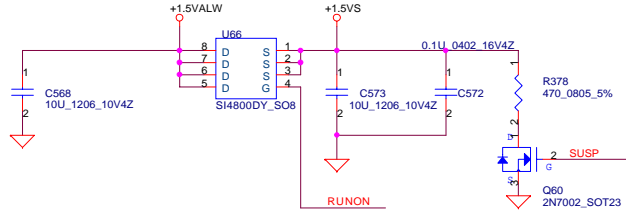
Power SW Function Button



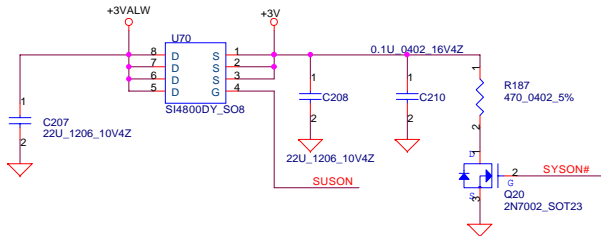
USB PORT



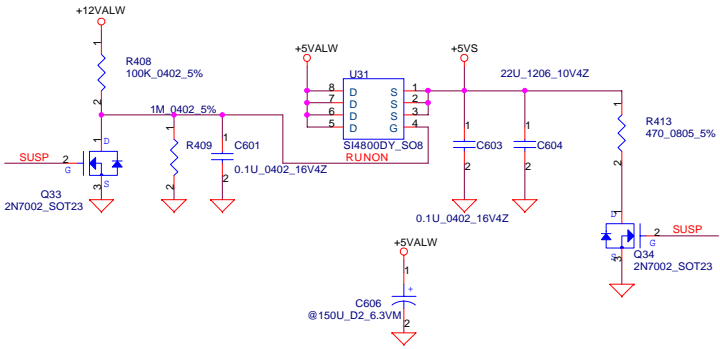
+1.5VALW to +1.5VS Transfer



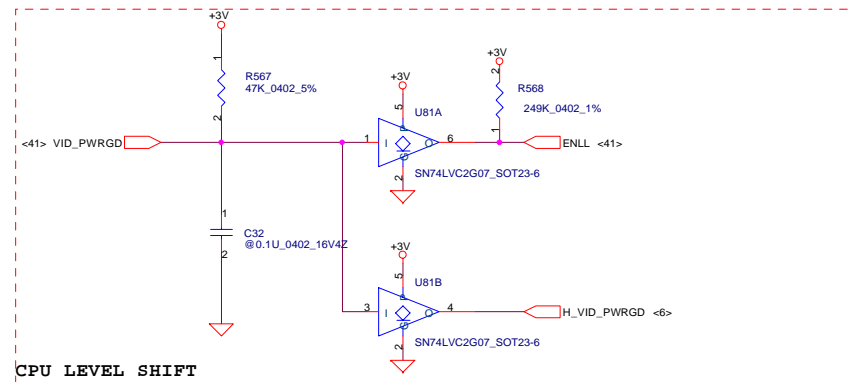
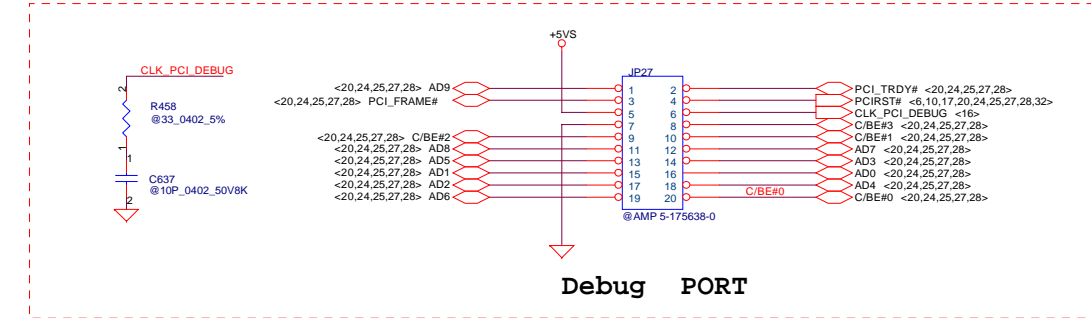
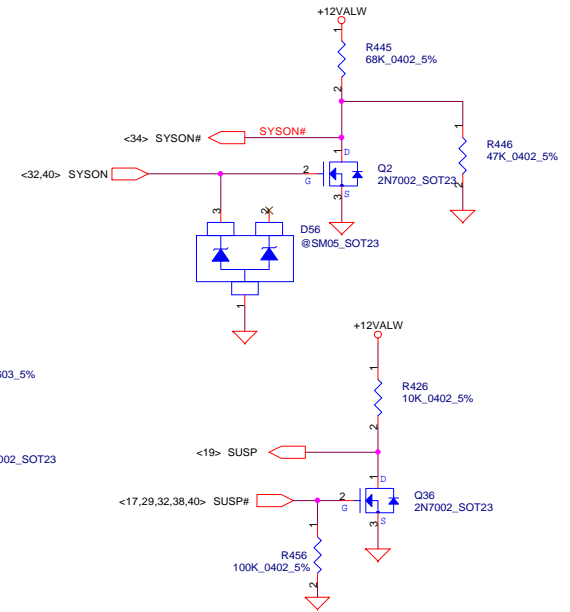
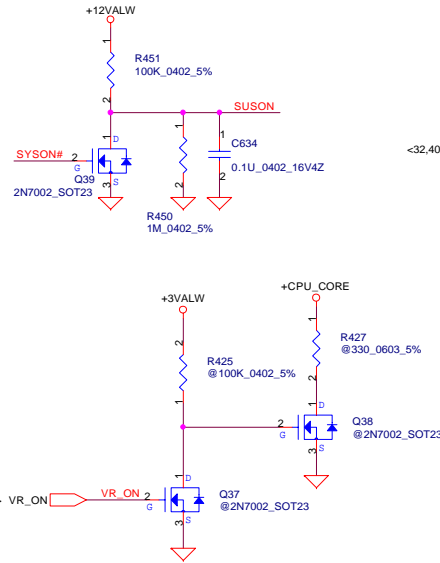
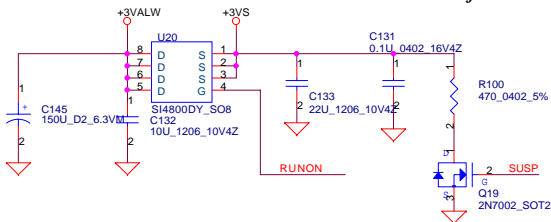
+3VALW to +3V Transfer



+5VALW to +5VS Transfer



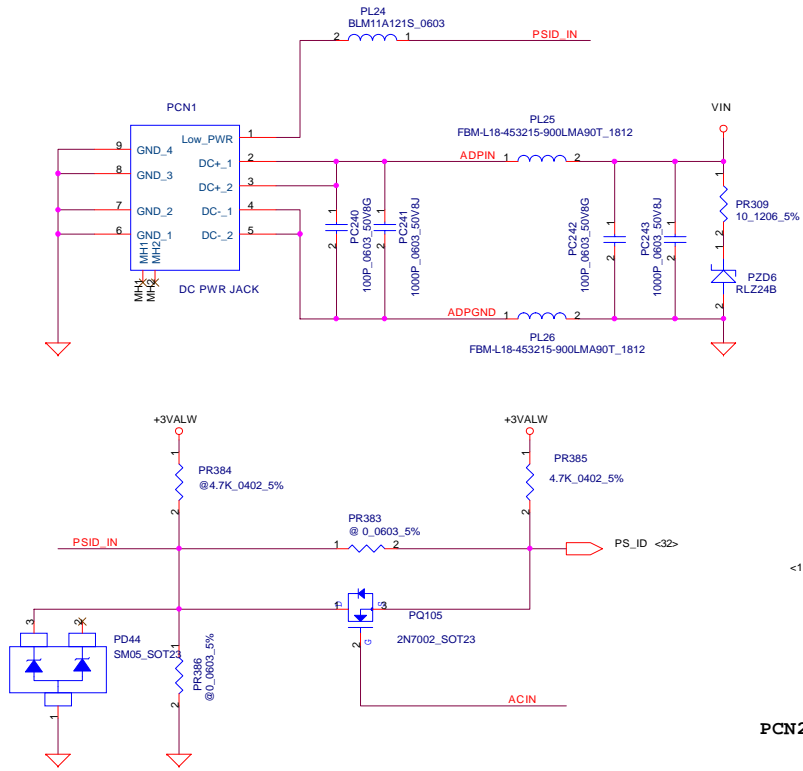
+3VALW to +3VS Transfer



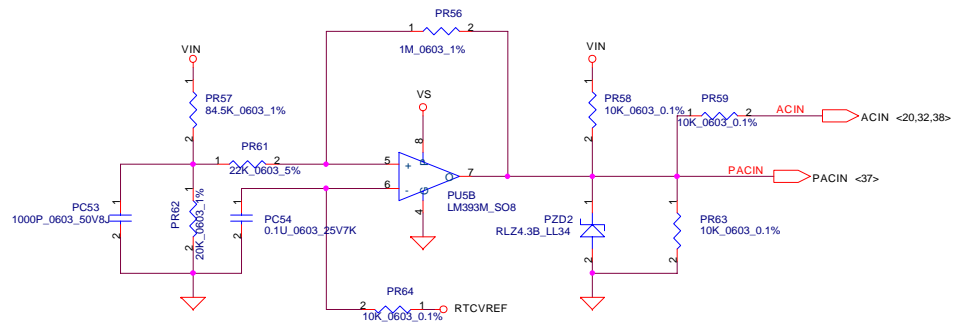
PROPRIETARY NOTE: THIS SHEET OF ENGINEERING DRAWING AND SPECIFICATIONS CONTAINS CONFIDENTIAL TRADE SECRET AND OTHER PROPRIETARY INFORMATION OF DELL INC. ("DELL"). THIS DOCUMENT MAY NOT BE TRANSFERRED OR COPIED WITHOUT THE EXPRESS WRITTEN AUTHORIZATION OF DELL. IN ADDITION, NEITHER THIS SHEET NOR THE INFORMATION IT CONTAINS MAY BE USED BY OR DISCLOSED TO ANY THIRD PARTY WITHOUT DELL'S EXPRESS WRITTEN CONSENT.



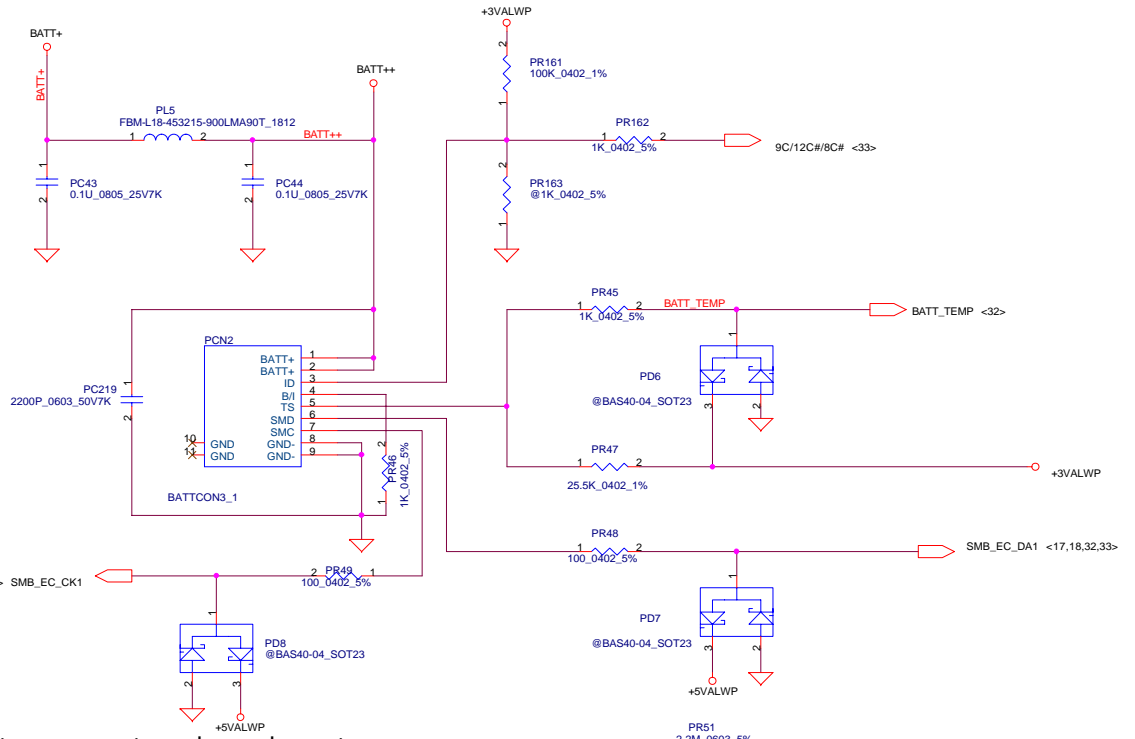
Dell-Compal Confidential		
Compal Electronics, Inc.		
File DC/DC Circuit / Debug Port		
Size	Document Number Ibiza LA-1684	Rev 1.0
Date: Friday, January 09, 2004	Sheet	35 of 48



Vin Detector
17.90V/17.24V

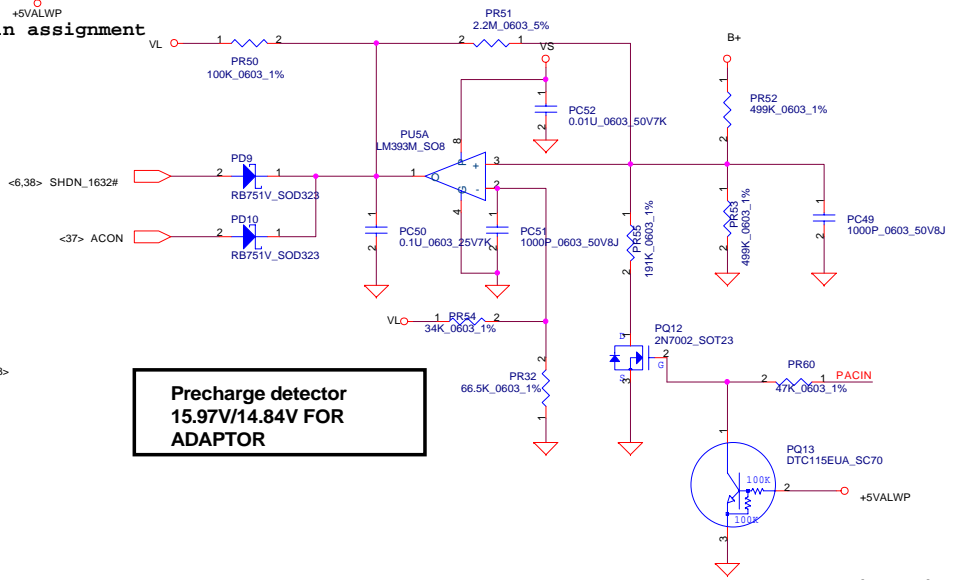


Precharge detector
15.97V/14.84V FOR
ADAPTOR



PCN2 battery connector pin assignment

- SMART Battery:**
1. BATT+
 2. BATT+
 3. 9C/12C#/8C#
 4. B/I
 5. TS
 6. SMB_EC_DA1
 7. SMB_EC_CK1
 8. GND
 9. GND



Dell-Compal Confidential

Compal Electronics, Inc.		
Detector		
Title	Document Number	Rev
	Abacus-MT LA-1682	1D
Date	Friday, January 09, 2004	Sheet 36 of 48

THIS SHEET OF ENGINEERING DRAWING IS THE PROPRIETARY PROPERTY OF COMPAL ELECTRONICS, INC. AND CONTAINS CONFIDENTIAL AND TRADE SECRET INFORMATION. THIS SHEET MAY NOT BE TRANSFERRED FROM THE CUSTODY OF THE COMPETENT DIVISION OF R&D DEPARTMENT EXCEPT AS AUTHORIZED BY COMPAL ELECTRONICS, INC. NEITHER THIS SHEET NOR THE INFORMATION IT CONTAINS MAY BE USED BY OR DISCLOSED TO ANY THIRD PARTY WITHOUT PRIOR WRITTEN CONSENT OF COMPAL ELECTRONICS, INC.

I_{adp}=0~4.10A (90W)
I_{adp}=0~3A (65W)

I_{REF}=0.82*I_{charge}
I_{REF}=0~3.3V

Charge voltage
4S CC-CV MODE : 16.8V
V_{CHG} is H
4S PULSE MODE : 17.4V
V_{CHG} is L

OVP voltage :

LI-4S :18.0V---BATT-OVP=2.00V
LI-3S :13.5V---BATT-OVP=1.50V
BATT-OVP=0.1111*BATT++

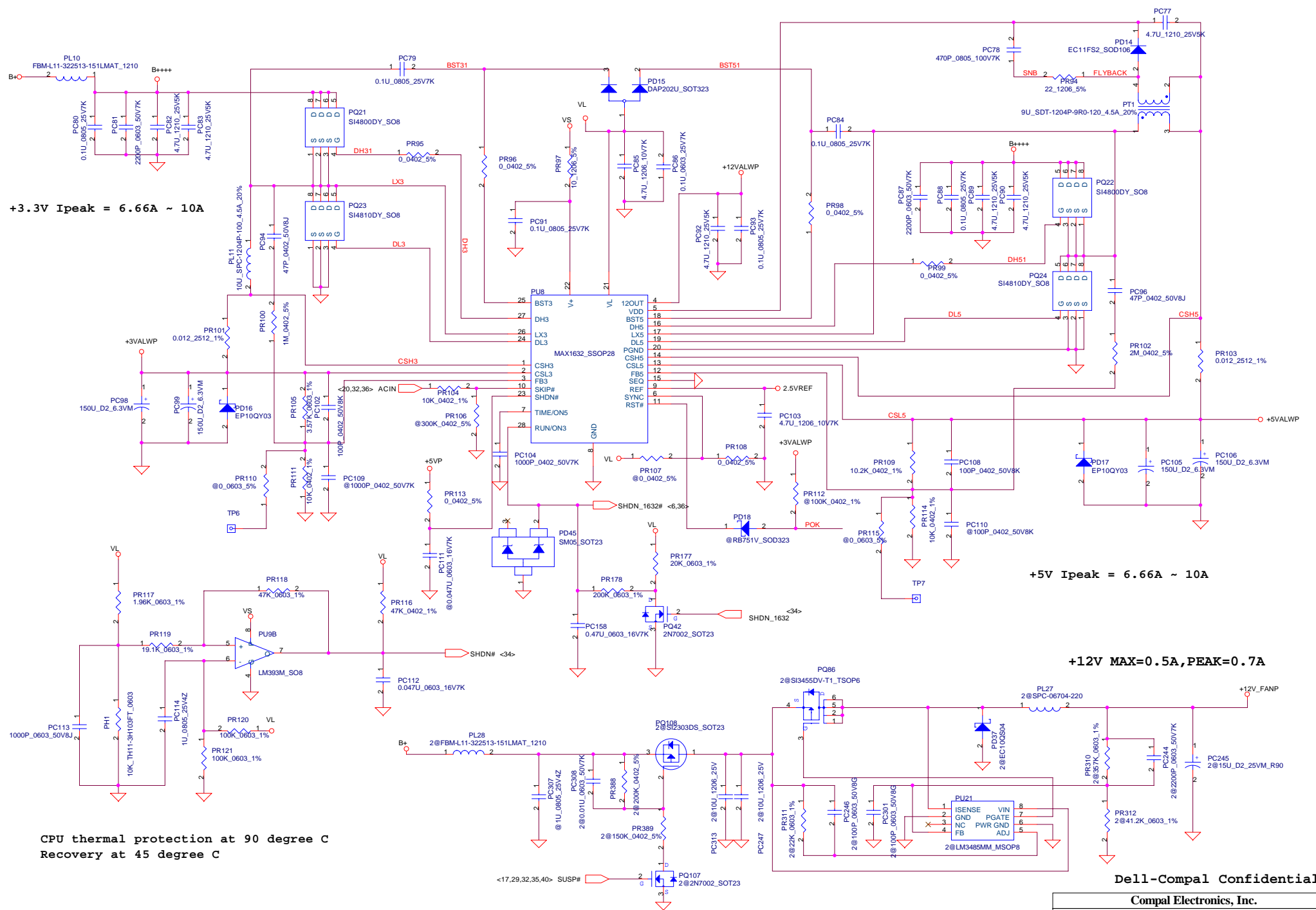
THIS SHEET OF ENGINEERING DRAWING IS THE PROPRIETARY PROPERTY OF COMPAL ELECTRONICS, INC. AND CONTAINS CONFIDENTIAL AND TRADE SECRET INFORMATION. THIS SHEET MAY NOT BE TRANSFERRED FROM THE CUSTODY OF THE COMPETENT DIVISION OF R&D DEPARTMENT EXCEPT AS AUTHORIZED BY COMPAL ELECTRONICS, INC. NEITHER THIS SHEET NOR THE INFORMATION IT CONTAINS MAY BE USED BY OR DISCLOSED TO ANY THIRD PARTY WITHOUT PRIOR WRITTEN CONSENT OF COMPAL ELECTRONICS, INC.

Dell-Compal Confidential

Compal Electronics, Inc.

Charger

Title		
Charger		
Size	Document Number	Rev
	Abacus-MT LA-1682	1D
Date:	Friday, January 09, 2004	Sheet 37 of 48



+3.3V Ipeak = 6.66A ~ 10A

+5V Ipeak = 6.66A ~ 10A

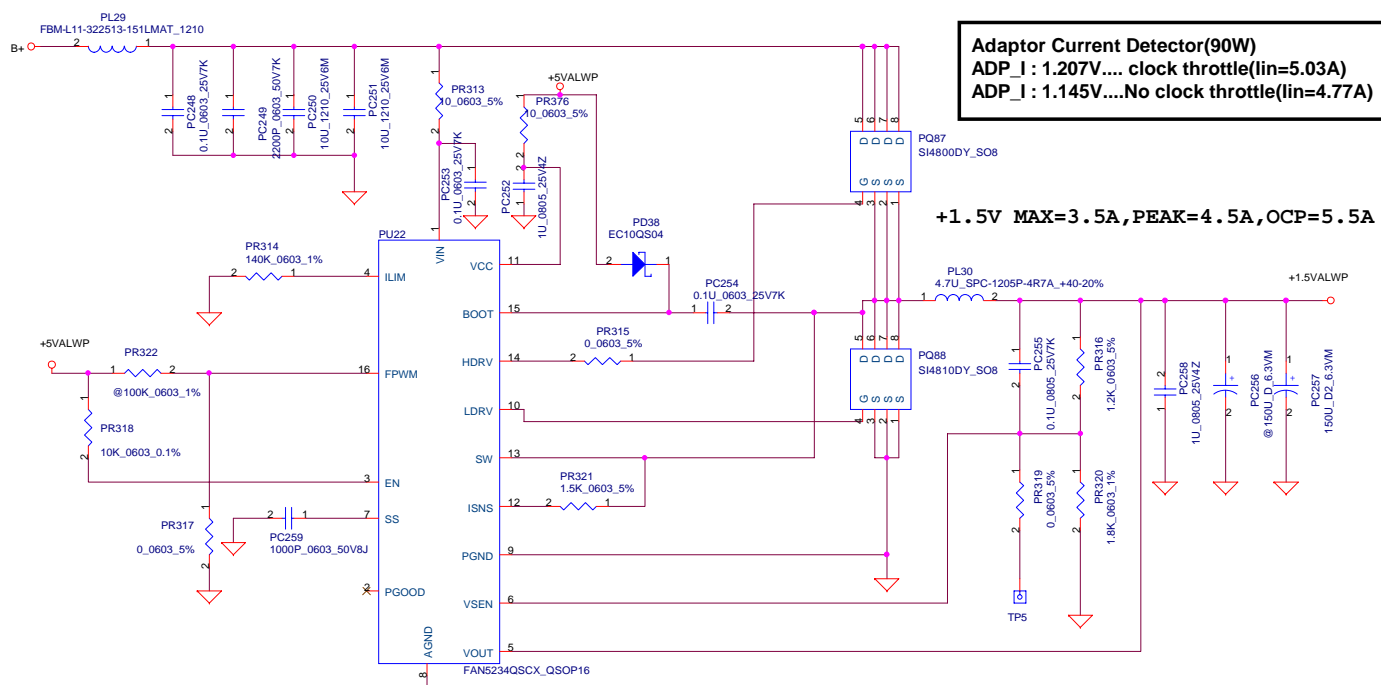
+12V MAX=0.5A, PEAK=0.7A

CPU thermal protection at 90 degree C
Recovery at 45 degree C

Dell-Compal Confidential

Title			+3.3V/+5V/+12V/+12V_FANP		
Size	Document Number	Abacus-MT LA-1682			Rev
Date	Friday, January 09, 2004	Sheet	38	of	48

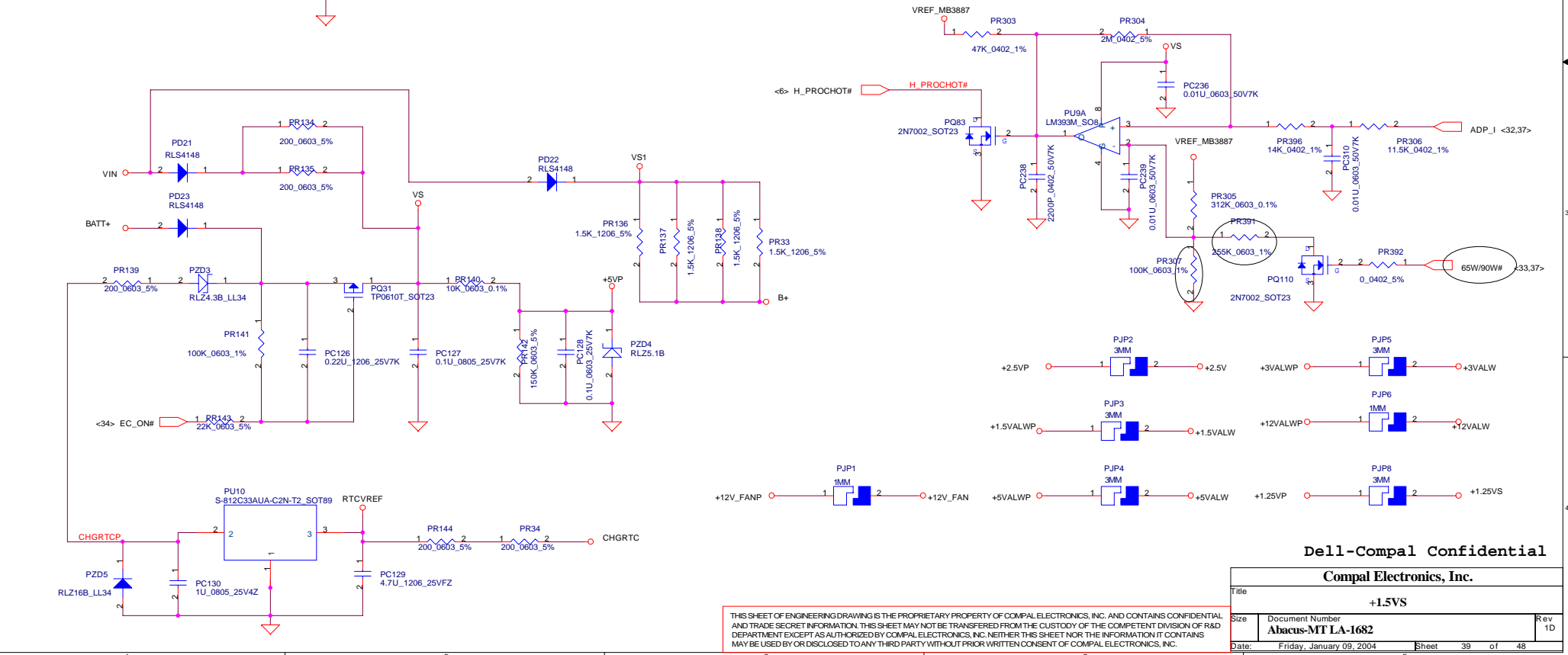
THIS SHEET OF ENGINEERING DRAWING IS THE PROPRIETARY PROPERTY OF COMPAL ELECTRONICS, INC. AND CONTAINS CONFIDENTIAL AND TRADE SECRET INFORMATION. THIS SHEET MAY NOT BE TRANSFERRED FROM THE CUSTODY OF THE COMPETENT DIVISION OF R&D DEPARTMENT EXCEPT AS AUTHORIZED BY COMPAL ELECTRONICS, INC. NEITHER THIS SHEET NOR THE INFORMATION IT CONTAINS MAY BE USED BY OR DISCLOSED TO ANY THIRD PARTY WITHOUT PRIOR WRITTEN CONSENT OF COMPAL ELECTRONICS, INC.



Adaptor Current Detector(90W)
 ADP_I : 1.207V.... clock throttle(lin=5.03A)
 ADP_I : 1.145V....No clock throttle(lin=4.77A)

Adaptor Current Detector(65W)
 ADP_I : 0.936V.... clock throttle(lin=3.9A)
 ADP_I : 0.828V....No clock throttle(lin=3.45A)

+1.5V MAX=3.5A, PEAK=4.5A, OCP=5.5A

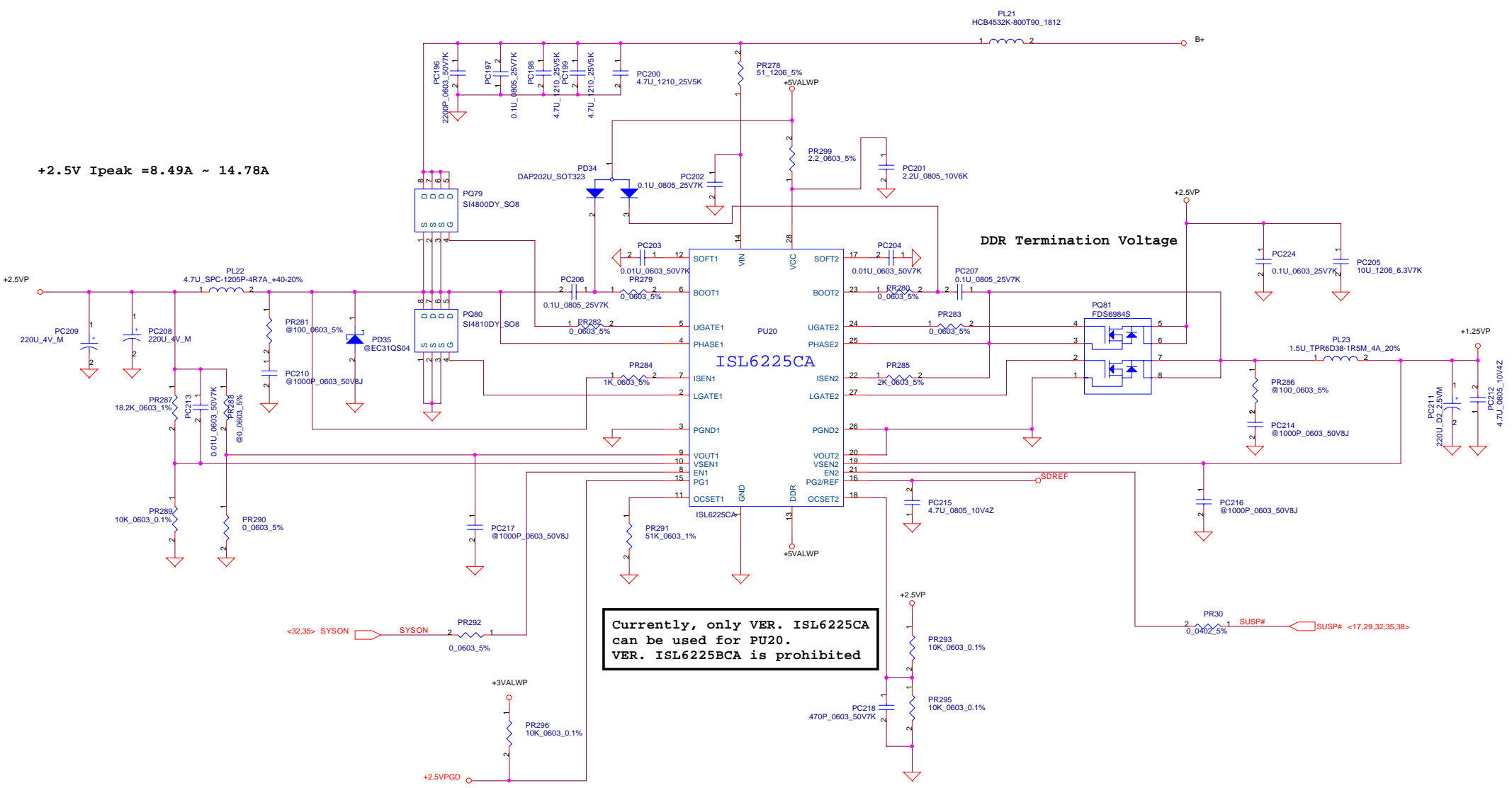


Dell-Compal Confidential

Compal Electronics, Inc.		
+1.5VS		
Title		
Size	Document Number	Rev
	Abacus-MT LA-1682	1D
Date	Friday, January 09, 2004	Sheet 39 of 48

THIS SHEET OF ENGINEERING DRAWING IS THE PROPRIETARY PROPERTY OF COMPAL ELECTRONICS, INC. AND CONTAINS CONFIDENTIAL AND TRADE SECRET INFORMATION. THIS SHEET MAY NOT BE TRANSFERRED FROM THE CUSTODY OF THE COMPETENT DIVISION OF R&D DEPARTMENT EXCEPT AS AUTHORIZED BY COMPAL ELECTRONICS, INC. NEITHER THIS SHEET NOR THE INFORMATION IT CONTAINS MAY BE USED BY OR DISCLOSED TO ANY THIRD PARTY WITHOUT PRIOR WRITTEN CONSENT OF COMPAL ELECTRONICS, INC.

+2.5V I_{peak} = 8.49A ~ 14.78A

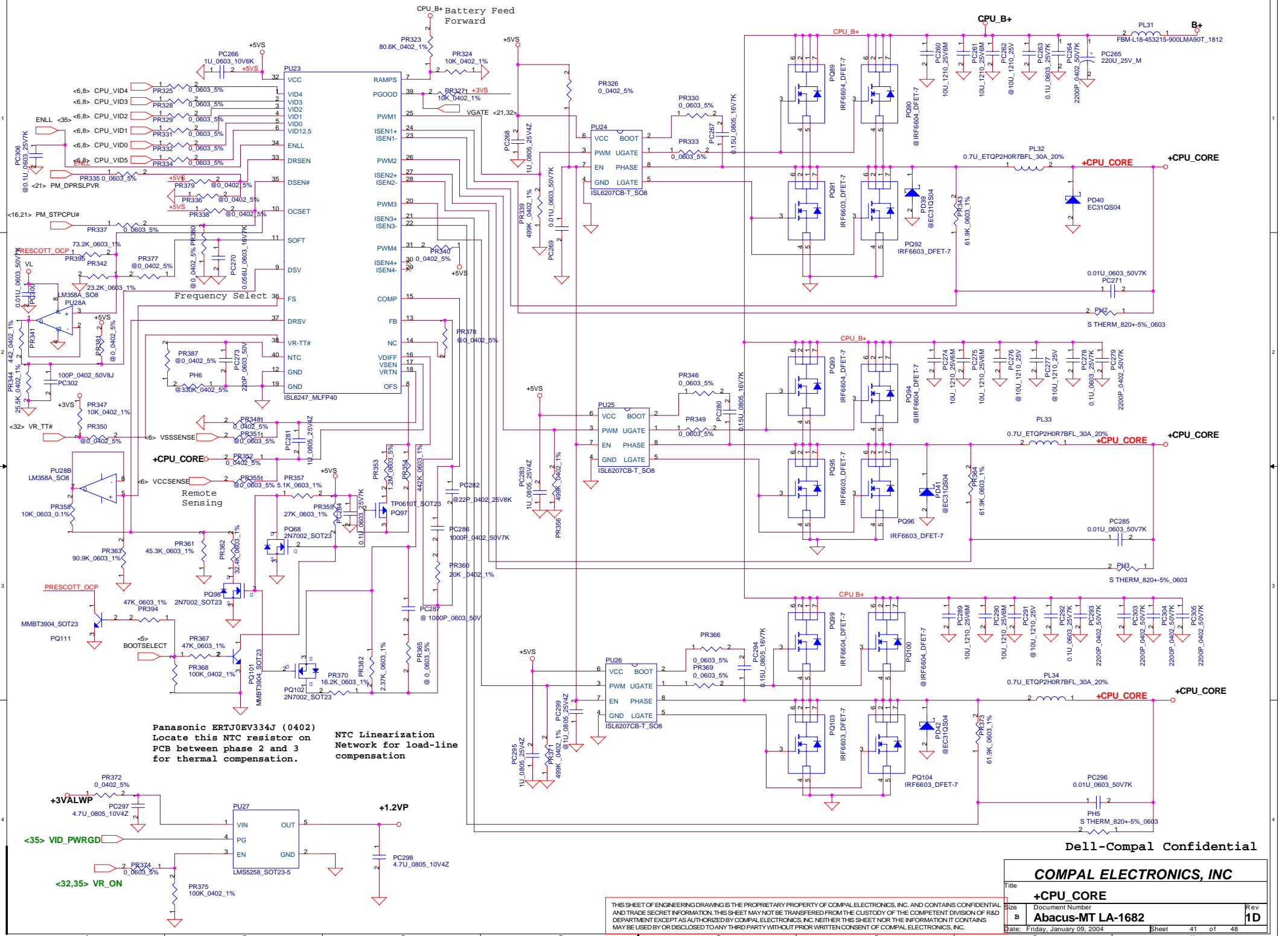


**Currently, only VER. ISL6225CA
can be used for PU20.
VER. ISL6225BCA is prohibited**

Dell-Compal Confidential

COMPAL ELECTRONICS, INC		
Title	DDR POWER 2.5V & 1.25V	
Size	Document Number	Rev
B	Abacus-MT LA-1682	1D
Date:	Friday, January 09, 2004	Sheet 40 of 48

THIS SHEET OF ENGINEERING DRAWING IS THE PROPRIETARY PROPERTY OF COMPAL ELECTRONICS, INC. AND CONTAINS CONFIDENTIAL AND TRADE SECRET INFORMATION. THIS SHEET MAY NOT BE TRANSFERRED FROM THE CUSTODY OF THE COMPETENT DIVISION OF R&D DEPARTMENT EXCEPT AS AUTHORIZED BY COMPAL ELECTRONICS, INC. NEITHER THIS SHEET NOR THE INFORMATION IT CONTAINS MAY BE USED BY OR DISCLOSED TO ANY THIRD PARTY WITHOUT PRIOR WRITTEN CONSENT OF COMPAL ELECTRONICS, INC.



Panasonic ERTJ0EV334J (0402)
 Locate this NTC resistor on
 PCB between phase 2 and 3
 for thermal compensation.

NTC Linearization
 Network for load-line
 compensation

Dell-Compal Confidential

COMPAL ELECTRONICS, INC		
Title	+CPU CORE	
Size	Document Number	Rev
B	Abacus-MT LA-1882	1D
Date:	Friday, January 09, 2004	Sheet 41 of 48

THIS SHEET OF ENGINEERING DRAWING IS THE PROPRIETARY PROPERTY OF COMPAL ELECTRONICS, INC. AND CONTAINS CONFIDENTIAL AND TRADE SECRET INFORMATION. THIS SHEET MAY NOT BE TRANSFERRED FROM THE CUSTODY OF THE COMPETENT DIVISION OF R&D DEPARTMENT EXCEPT AS AUTHORIZED BY COMPAL ELECTRONICS, INC. NEITHER THIS SHEET NOR THE INFORMATION IT CONTAINS MAY BE USED BY OR DISCLOSED TO ANY THIRD PARTY WITHOUT PRIOR WRITTEN CONSENT OF COMPAL ELECTRONICS, INC.