



浩陽有限公司

HY510N
PC POWER SUPPLY SUPERVISOR
Data Sheet

REV. 1.30

September 21, 2004

The information in this document is subject to change without notice.

台北市大安區臥龍街1號11樓

TEL:886-2-23775117 FAX:886-2-23773189

Email:salesdep@hawyang.com.tw



GENERAL DESCRIPTION

The HY510N provides protection circuits, power good output (PGO), fault protection latch (FPL_N), and a protection detector function (PDON_N) control. It can minimize external components of switching power supply systems in personal computer.

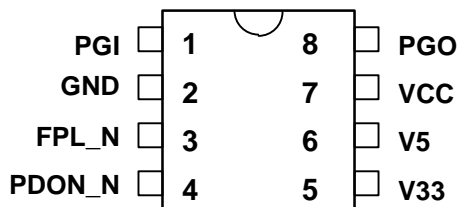
The Over Voltage Detector (OVD) monitors 3.3V, 5V, 12V input voltage level. The Under Voltage Detector (UVD) monitors 3.3V, 5V input voltage level. When OVD or UVD detect the fault voltage level, the FPL_N is latched HIGH and PGO go low. The latch can be reset by PDON_N go HIGH. There is 2.4 ms delay time for PDON_N turn off FPL_N.

When OVD and UVD detect the right voltage level, the power good output (PGO) will be issue.

FEATURES

- The Over Voltage Detector (OVD) monitors 3.3V, 5V, 12V input voltage level.
- The Under Voltage Detector (UVD) monitors 3.3V, 5V input voltage level.
- Both of the power good output (PGO) and fault protection latch (FPL_N) are Open Drain Output.
- 75 ms time delay for UVD.
- 300 ms time delay for PGO.
- 38 ms for PDON_N input signal De-bounce.
- 73 us for internal signal De-glitches.
- 2.4 ms time delay for PDON_N turn-off FPL_N.
- ESD voltage up to 4000V as tested under MIL-STD-883D, Method 3015.7.

PIN ASSIGNMENT AND PACKAGE TYPE



ORDERING INFORMATION

PACKAGE	8-Pin Plastic DIP	8-Pin Plastic SOP
	HY510N-N080WT	HY510N-S080WT
Lead-Free (Pb)	HY510N-N080WT Pb	HY510N-S080WT Pb

The Top-Side Marking would be added a dot () in the right side for lead-free package.

PIN DESCRIPTION

Pin No.	Pin Name	TYPE	Description
1	PGI	I	power good input pin
2	GND	P	Ground
3	FPL_N	O	fault protection latch output pin(open drain output)
4	PDON_N	I	protection detector function ON/OFF control input pin
5	V33	I	3.3V input pin
6	V5	I	5V input pin
7	VCC	I	Supply voltage / 12V input pin
8	PGO	O	power good output pin(open drain output)

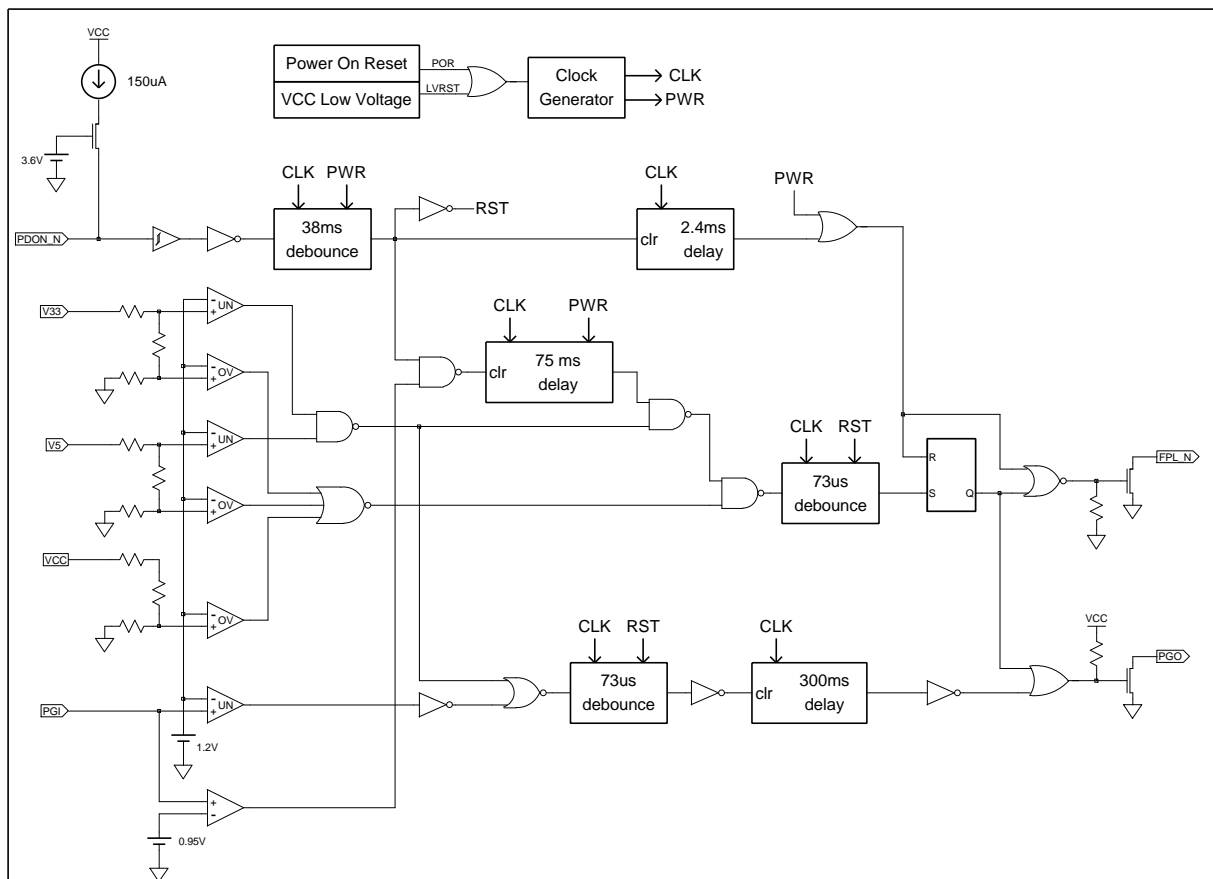


FUNCTION TABLE

PGI	PDON_N	UV	OV	FPL_N	PGO
< 0.95V	L	no	no	L	L
< 0.95V	L	no	yes	H	L
< 0.95V	L	yes	no	L	L
0.95 < PGI < 1.2	L	no	no	L	L
0.95 < PGI < 1.2	L	no	yes	H	L
0.95 < PGI < 1.2	L	yes	no	H	L
PGI > 1.2	L	no	no	L	H
PGI > 1.2	L	no	yes	H	L
PGI > 1.2	L	yes	no	H	L
x	H	x	x	H	L

x = don't care

BLOCK DIAGRAM





RECOMMENDED OPERATING CONDITIONS

Parameter		Conditions	Min.	Typ.	Max.	Unit
Supply voltage, VCC			4	12	15	V
Input voltage	PDON_N, V5, V33, PGI				7	V
Output voltage	FPL_N				15	V
	PGO				7	V
Operating temperature			-40		125	
Output sink current	FPL_N				30	mA
	PGO				10	mA
Supply voltage rising time			1			ms

ELECTRICAL CHARACTERISTICS, at Ta=25°C and VCC=5V.

Over Voltage Detection

Parameter		Condition	Min.	Typ.	Max.	Unit
Over voltage threshold	V33		3.7	3.9	4.1	V
	V5		5.7	6.1	6.5	V
	Vcc / V12		12.8	13.4	13.9	V
I _{LEAKAGE} Leakage current (FPL_N)	V(FPL_N) = 5V		5			uA
V _{OL} Low level output voltage (FPL_N)	I _{sink} 10mA			0.3		V
	I _{sink} 30mA			0.7		

PGI and PGO

Parameter		Condition	Min.	Typ.	Max.	Unit
Under voltage threshold	V33		2.0	2.2	2.4	V
	V5		3.3	3.5	3.7	V
Input threshold voltage(PGI)	PGI1		1.16	1.20	1.24	V
	PGI2		0.90	0.95	1.00	
I _{LEAKAGE} Leakage current(PGO)	PGO = 5V			5		uA
V _{OL} Low level output voltage(PGO)				0.4		V

PDON_N

Parameter		Condition	Min.	Typ.	Max.	Unit
Input pull-up current		PDON_N= 0V		150		uA
High-level input voltage			2.0			V
Low-level input voltage					0.8	V

TOTAL DEVICE

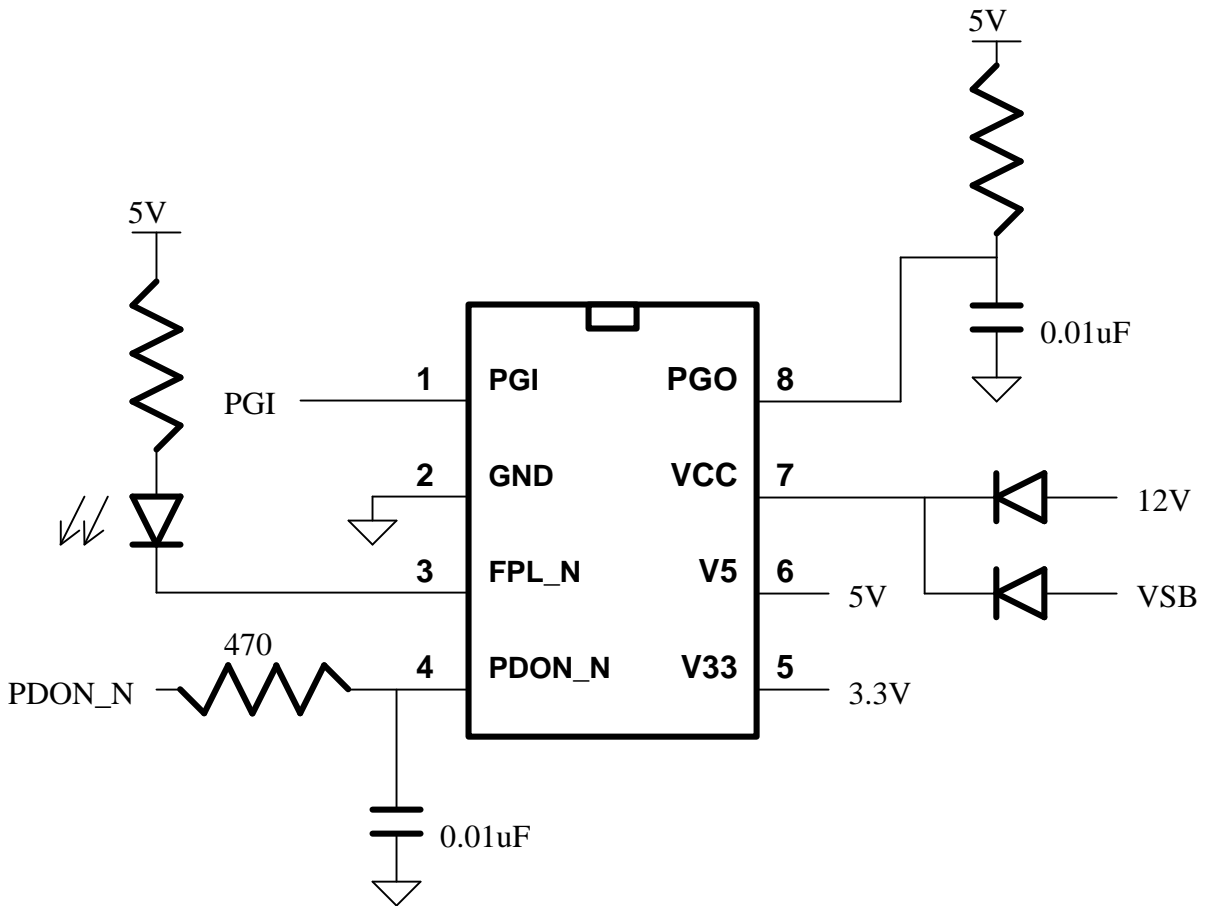
Parameter		Condition	Min.	Typ.	Max.	Unit
I _{CC} Supply current		PDON_N= 5V			1	mA
V _{CC} low voltage				3		V

SWITCHING CHARACTERISTICS, Vcc=5V

Parameter		Condition	Min.	Typ.	Max.	Unit
t _{db1}	De-bounce time (PDON_N)		32	38	61	mS
t _{dleav1}	Delay time (PGI to PGO)		200	300	490	mS
t _{db2}	De-bounce time (PDON_N)		32	38	61	mS
t _g	De-glitch time		63	73	120	uS
t _{delay2}	PDON_N to FPL_N delay time		t _{db2} +2.0	t _{db2} +2.4	t _{db2} +3.8	mS
t _{delay3}	Internal UVD delay time	FPL_N go low & every time PGI > 0.95V	65	75	122	mS



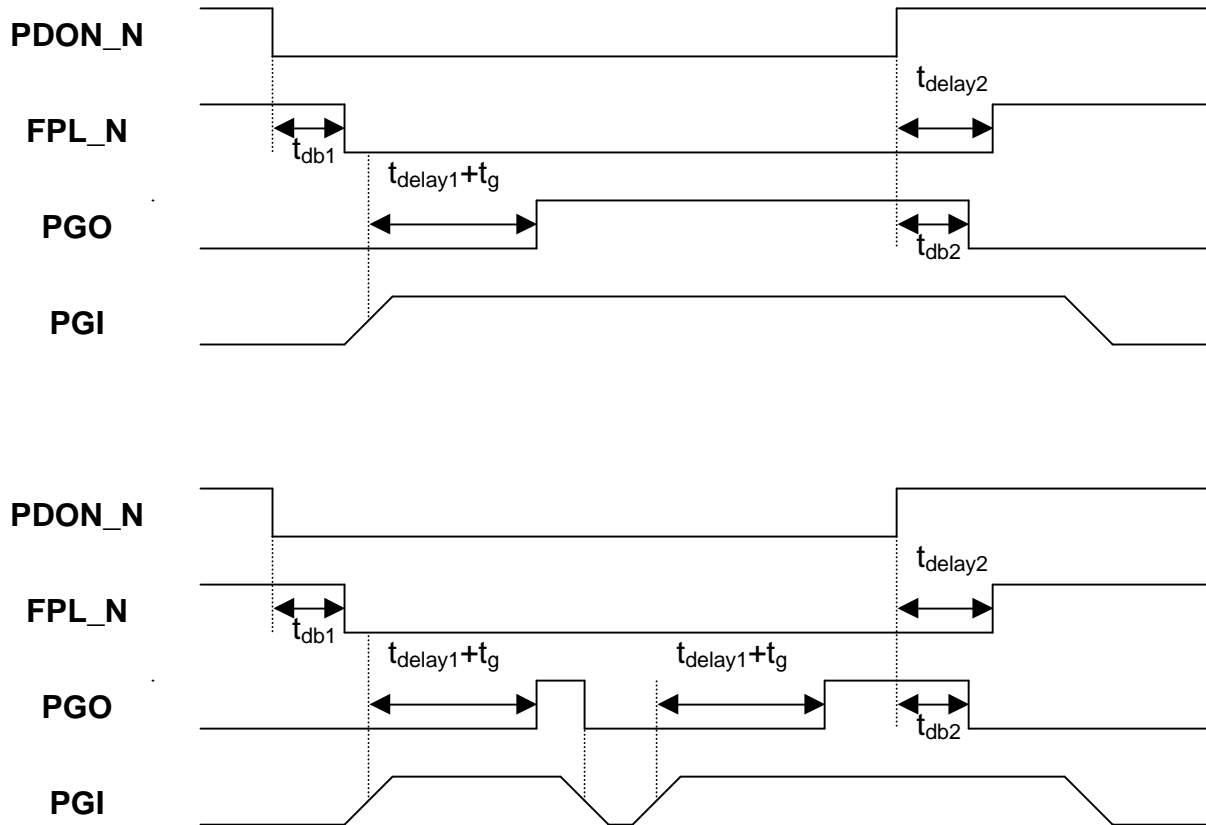
APPLICATION CIRCUIT





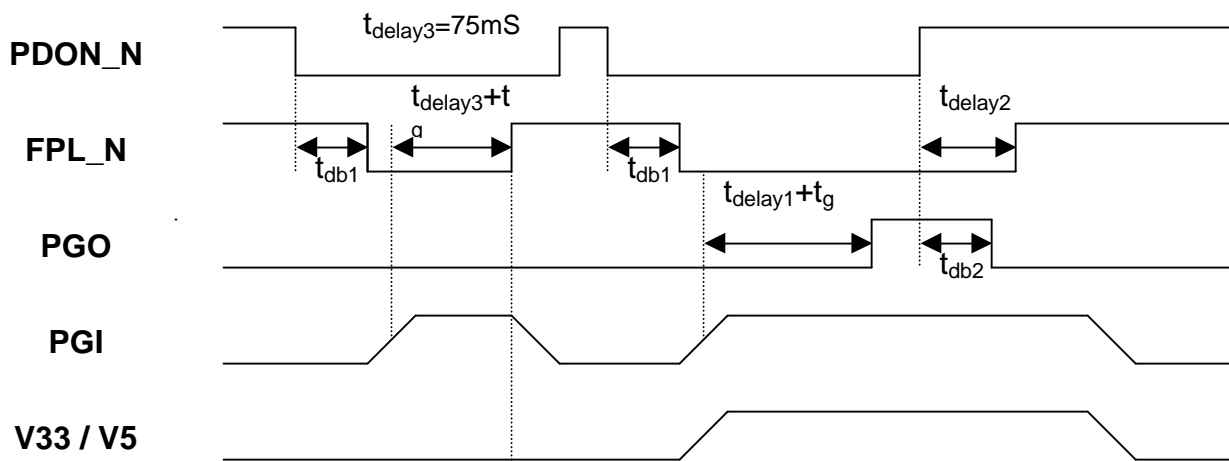
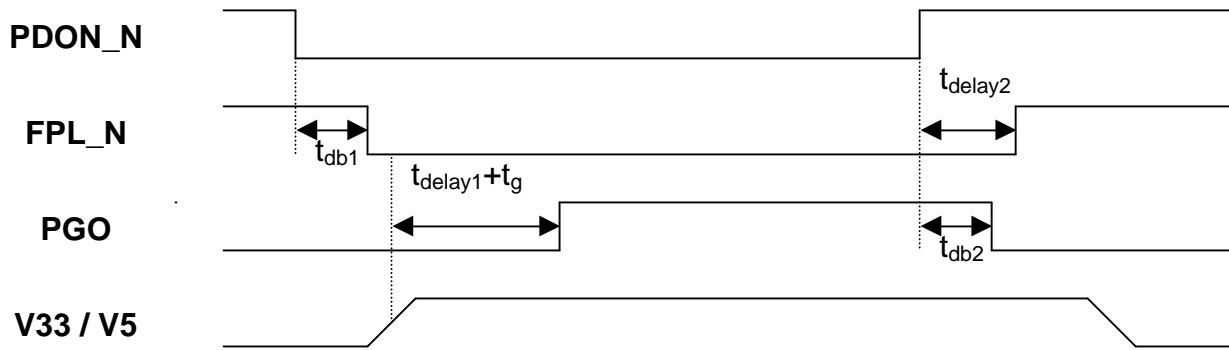
APPLICATION TIMMING

1.) PGI (UNDER_VOLTAGE) :



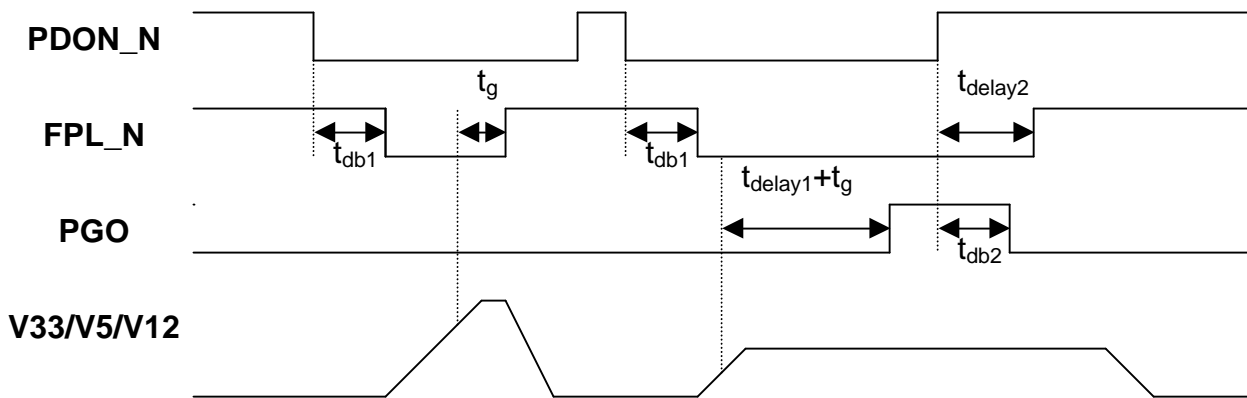
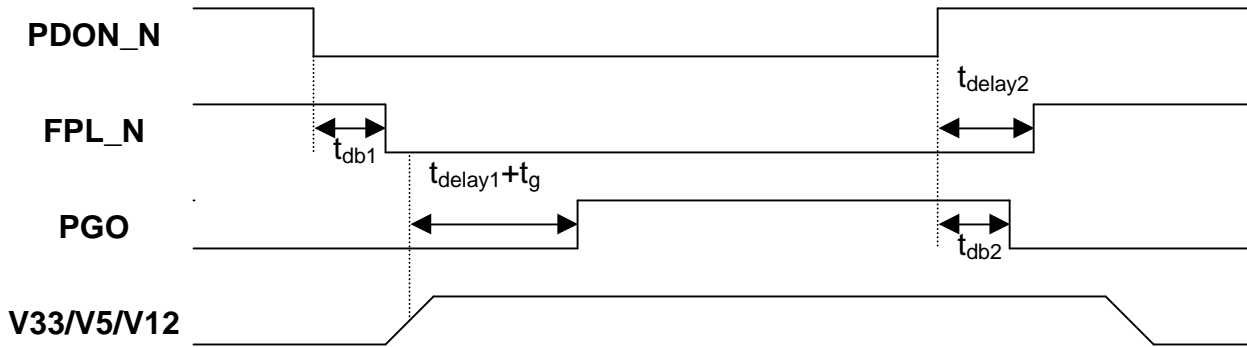


2.) V33, V5 (UNDER_VOLTAGE) :





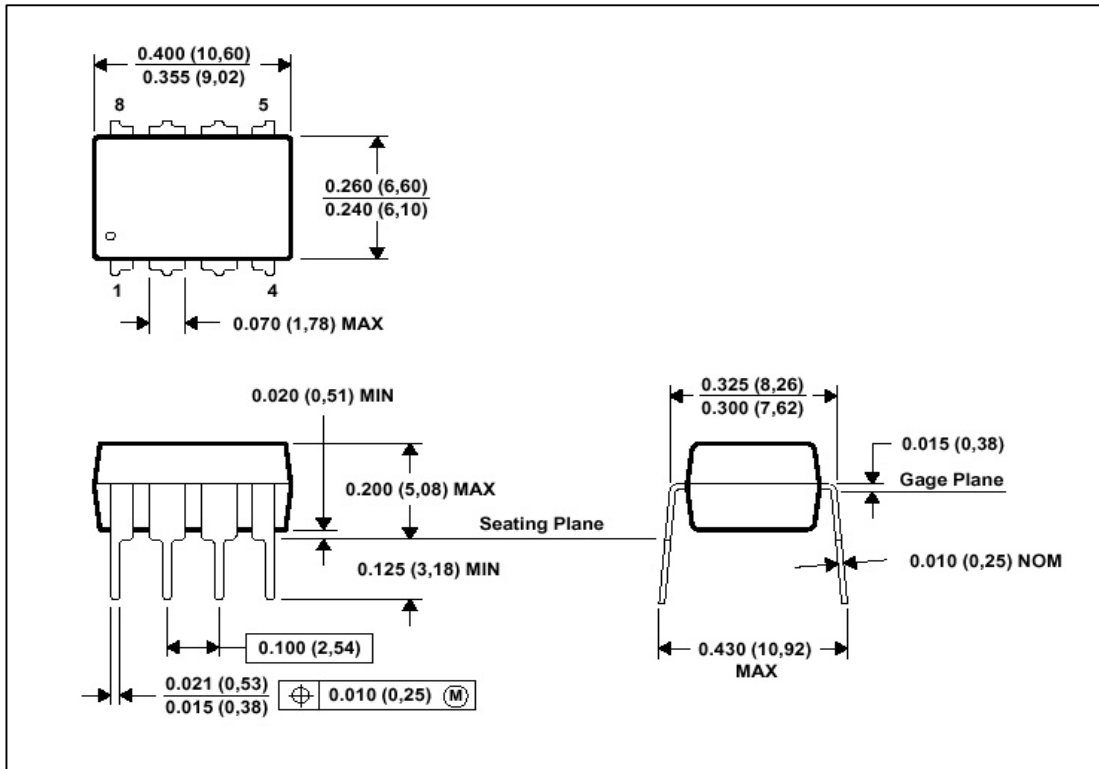
3.) V33, V5, V12 (OVER_VOLTAGE) :





MECHANICAL INFORMATION

PLASTIC DUAL-IN-LINE PACKAGE



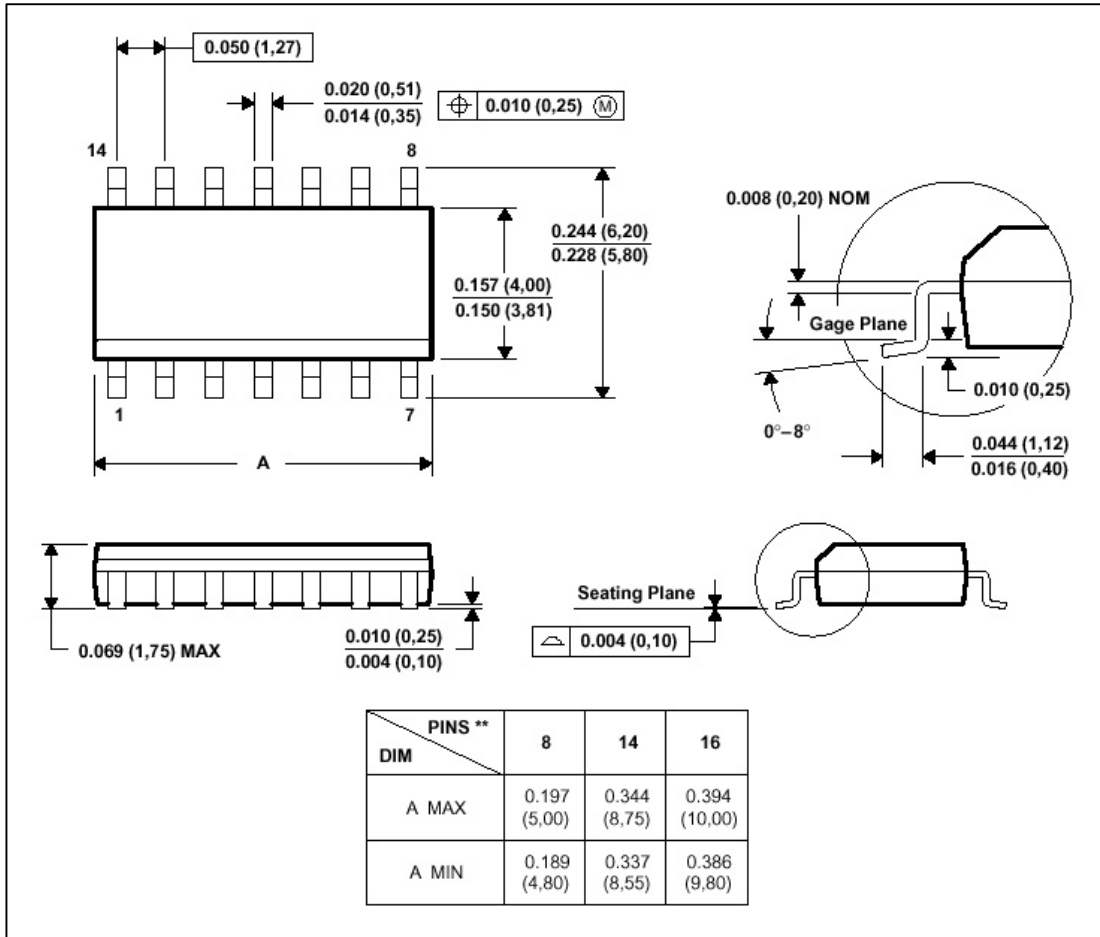
NOTE 1 : All linear dimensions are in inches (millimeters) .

NOTE 2 : This drawing is subject to change without notice.

NOTE 3 : Falls within JEDEC MS-001



PLASTIC SMALL-OUTLINE PACKAGE



NOTE 1 : All linear dimensions are in inches (millimeters) .

NOTE 2 : This drawing is subject to change without notice.

NOTE 3 : Falls within JEDEC MS-012