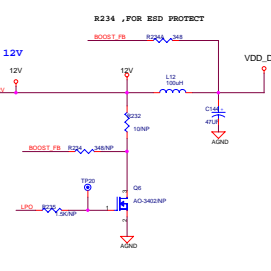
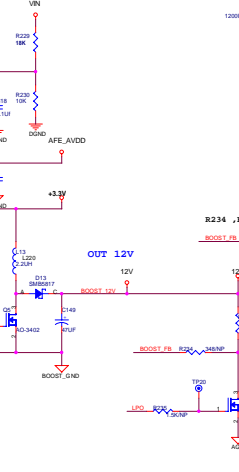
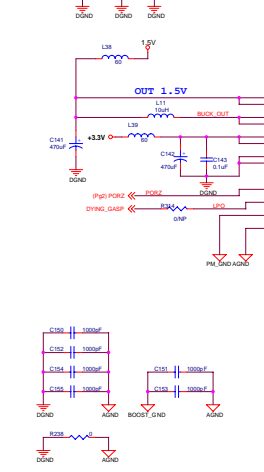
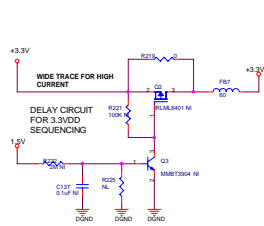
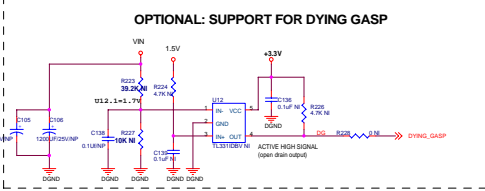
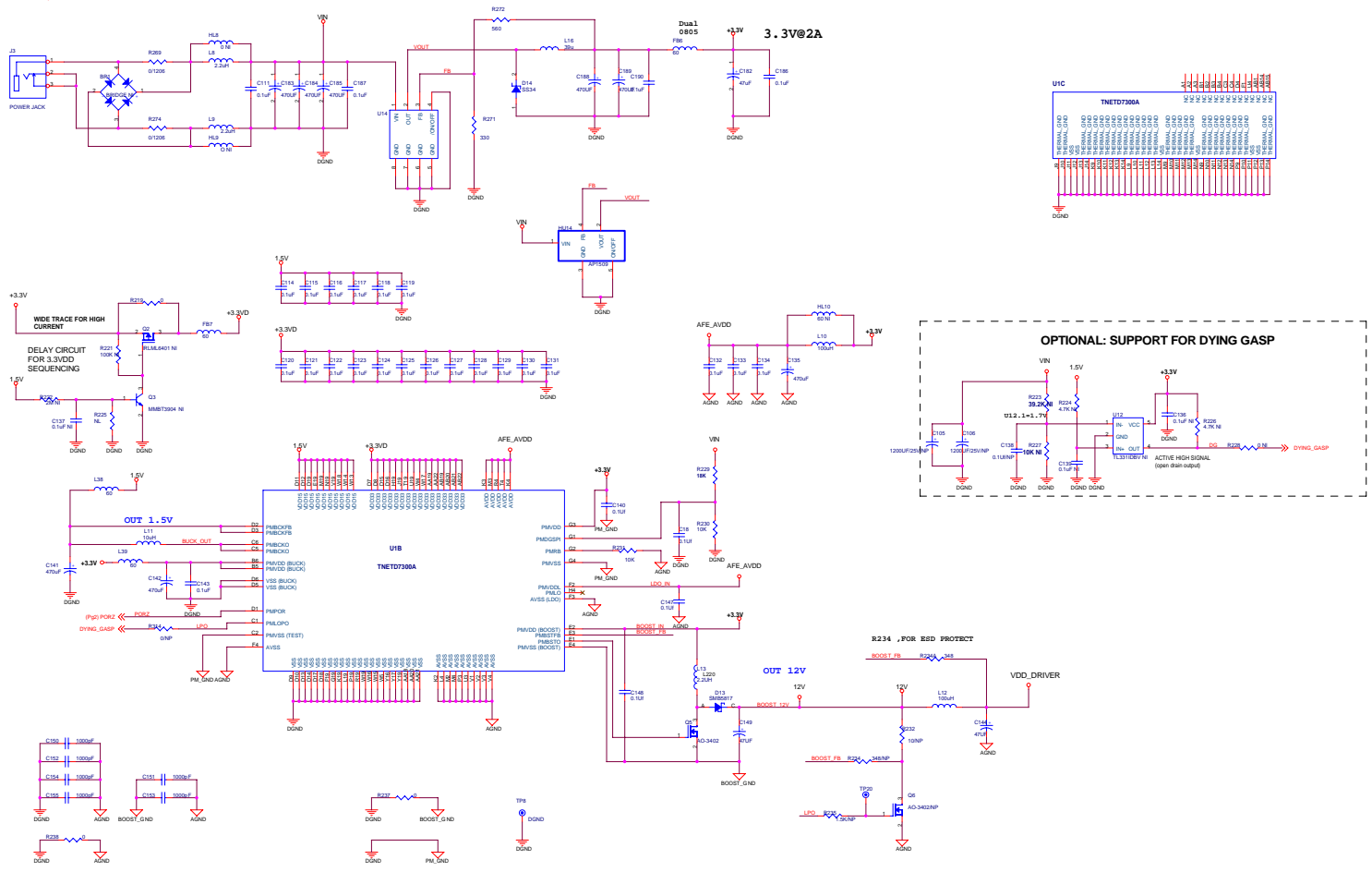
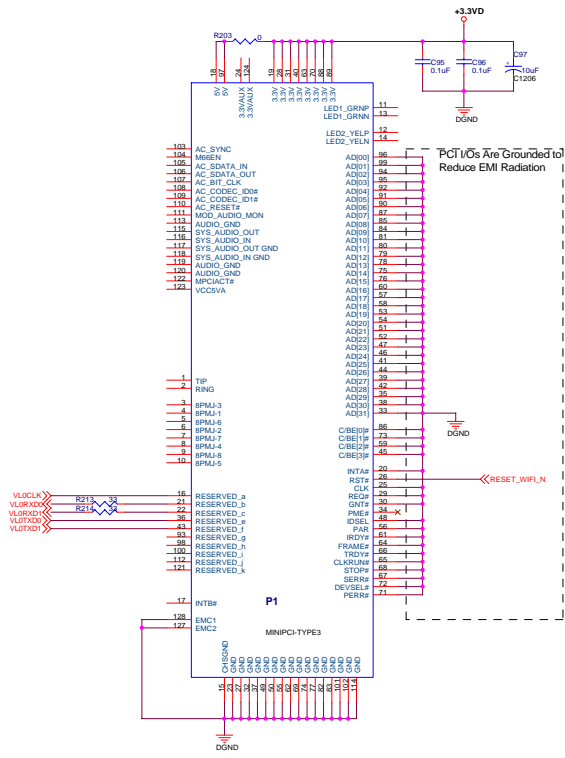
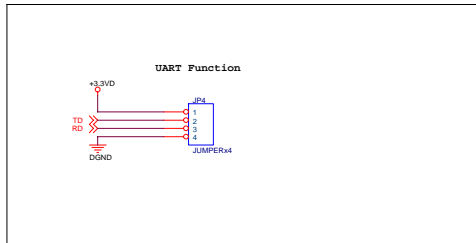


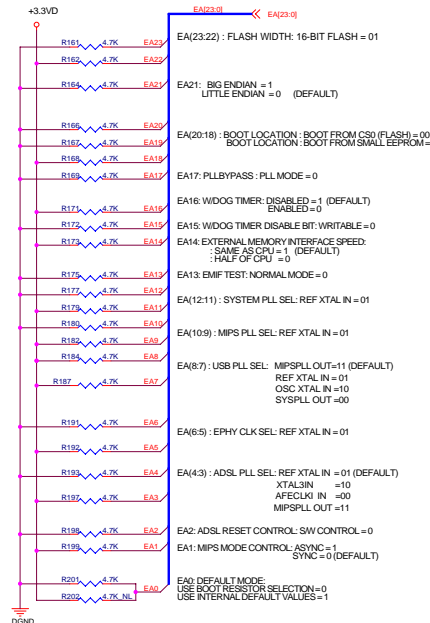
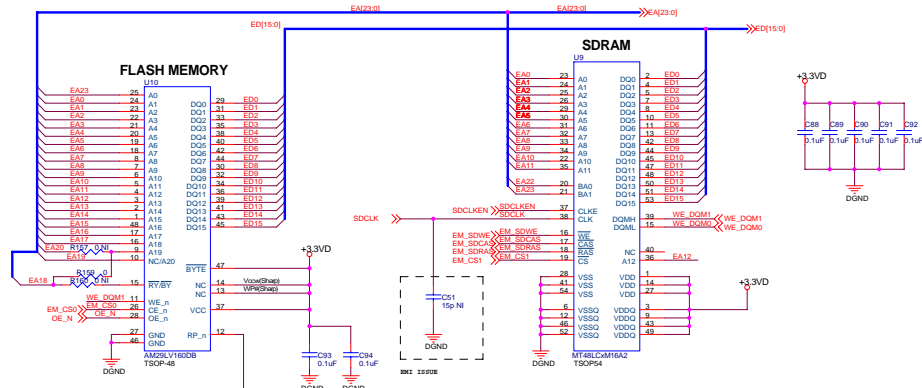
**WALL BRICK INPUT
ACL12V/800mA**

WIDE TRACE FOR HIGH CURRENT





ONLY FOR TNETD7300A/NSP350 BOOT CONFIGURATION

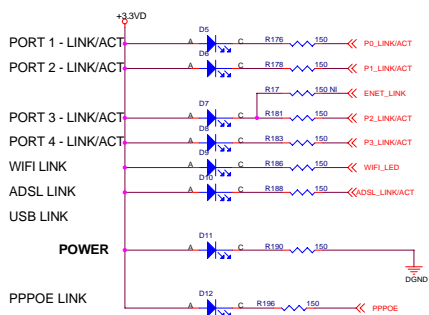


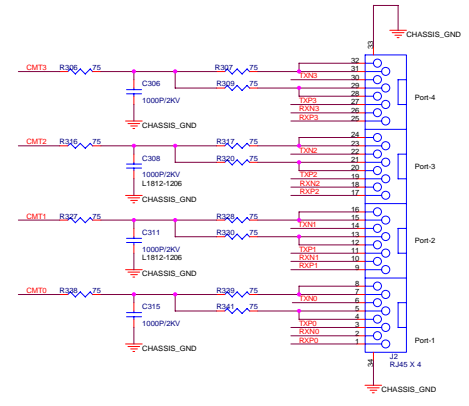
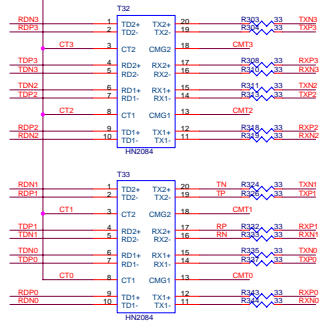
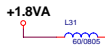
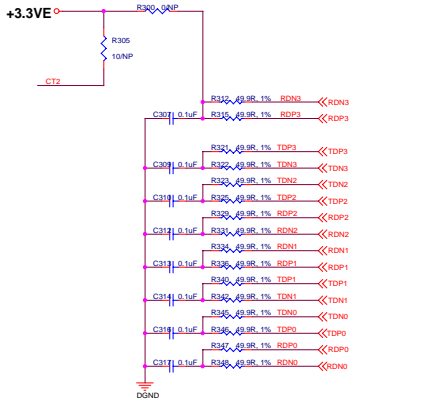
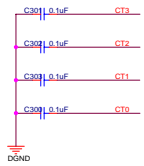
EA(23:22) : FLASH WIDTH: 16-BIT FLASH = 01
 EA21 : BIG ENDIAN = 1
 LITTLE ENDIAN = 0 (DEFAULT)
 EA(20:18) : BOOT LOCATION: BOOT FROM CS0 (FLASH) = 001 (DEFAULT)
 BOOT LOCATION: BOOT FROM SMALL EEPROM = 101
 EA17: PLLBYPASS: PLL MODE = 0
 EA16: WIDOG TIMER: DISABLED = 1 (DEFAULT)
 ENABLED = 0
 EA15: WIDOG TIMER DISABLE BIT: WRITABLE = 0
 EA14: EXTERNAL MEMORY INTERFACE SPEED:
 : SAME AS CPU = 1 (DEFAULT)
 : HALF OF CPU = 0
 EA13: EMF TEST: NORMAL MODE = 0
 EA(12:11) : SYSTEM PLL SEL: REF XTAL IN = 01
 EA(10:9) : MIPS PLL SEL: REF XTAL IN = 01
 EA(8:7) : USB PLL SEL: MIPSPLL OUT = 11 (DEFAULT)
 REF XTAL IN = 01
 OSC XTAL IN = 10
 SYSPLL OUT = 00
 EA(6:5) : EPHY CLK SEL: REF XTAL IN = 01
 EA(4:3) : ADSL PLL SEL: REF XTAL IN = 01 (DEFAULT)
 XTALIN = 10
 AFECCLK IN = 00
 MIPSPLL OUT = 11
 EA2: ADSL RESET CONTROL: SW CONTROL = 0
 EA1: MIPS MODE CONTROL: ASYNC = 1
 SYNC = 0 (DEFAULT)
 EA0: DEFAULT MODE
 USE BOOT RESISTOR SELECTION = 0
 USE INTERNAL DEFAULT VALUES = 1

IF USE 4MX16
 INSTALL R157, R160
 REMOVE R59

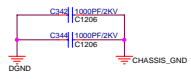
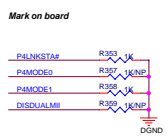
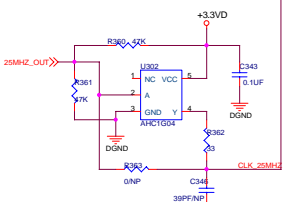
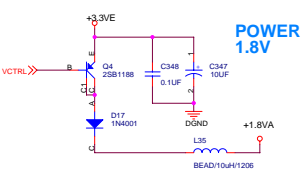
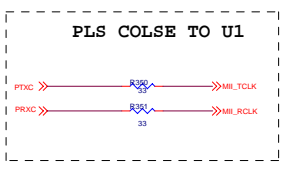
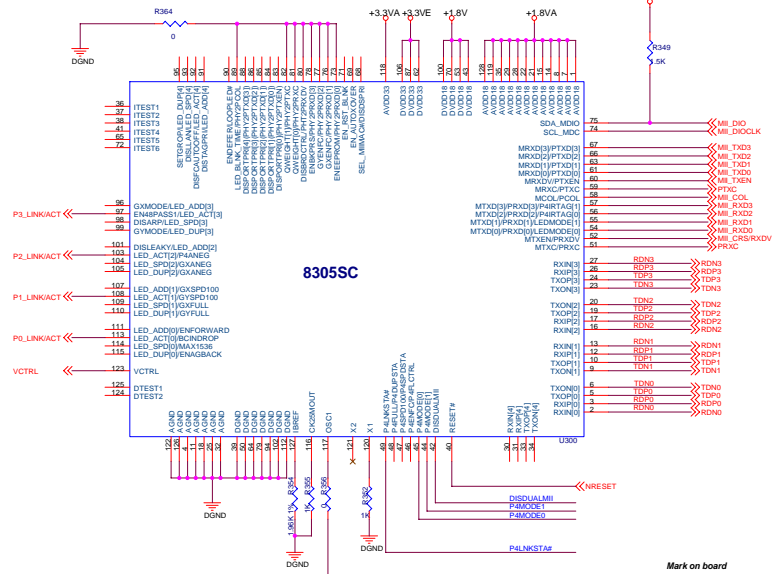
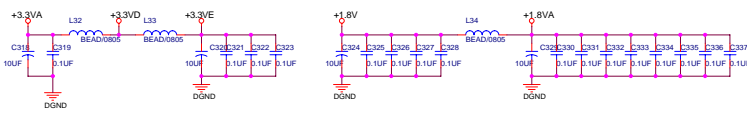
FLASH MEMORY
 4MX16: AMD AM29LV64D
 =====
 2MX16 : AMD AM29LV320D
 1MX16
 AMD AM29LV160DB-120EC
 SST SST39VF160-90-4C-EK
 TOSHIBA TC58FVB160FT-12
 FUJITSU MEM29LV160BE-12
 SHARP LH22F160JE-BTL90
 512KX16 : AMD AM29LV800
 =====

MICRON SDRAM OPTIONS
 4Mx16 => MT48LC4M16A2
 8Mx16 => MT48LC8M16A2
 16Mx16 => MT48LC16M16A2
 32Mx16 => MT48LC32M16A2

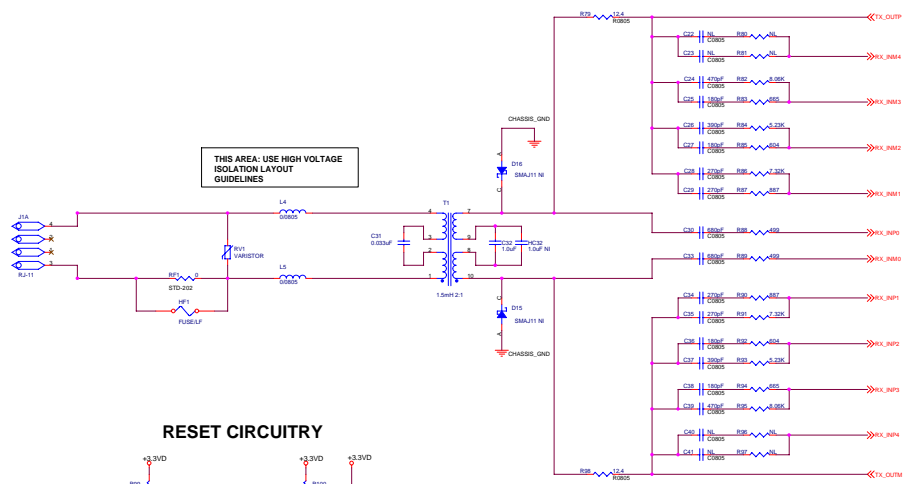




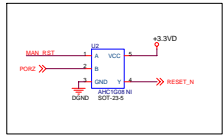
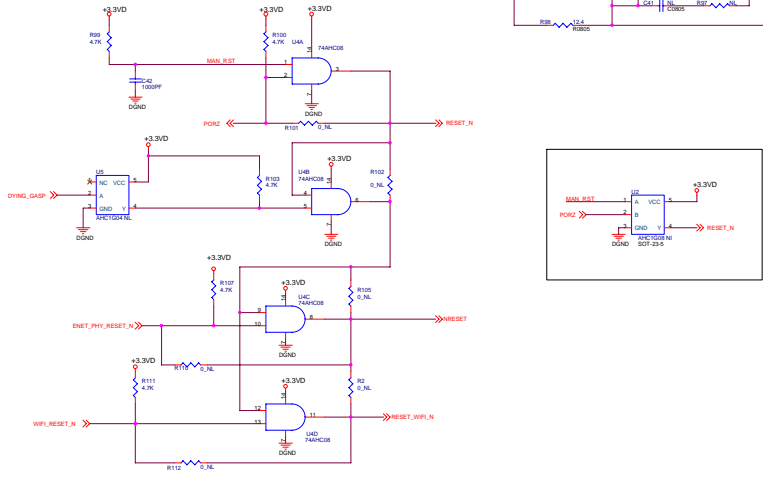
5 4 3 2 1

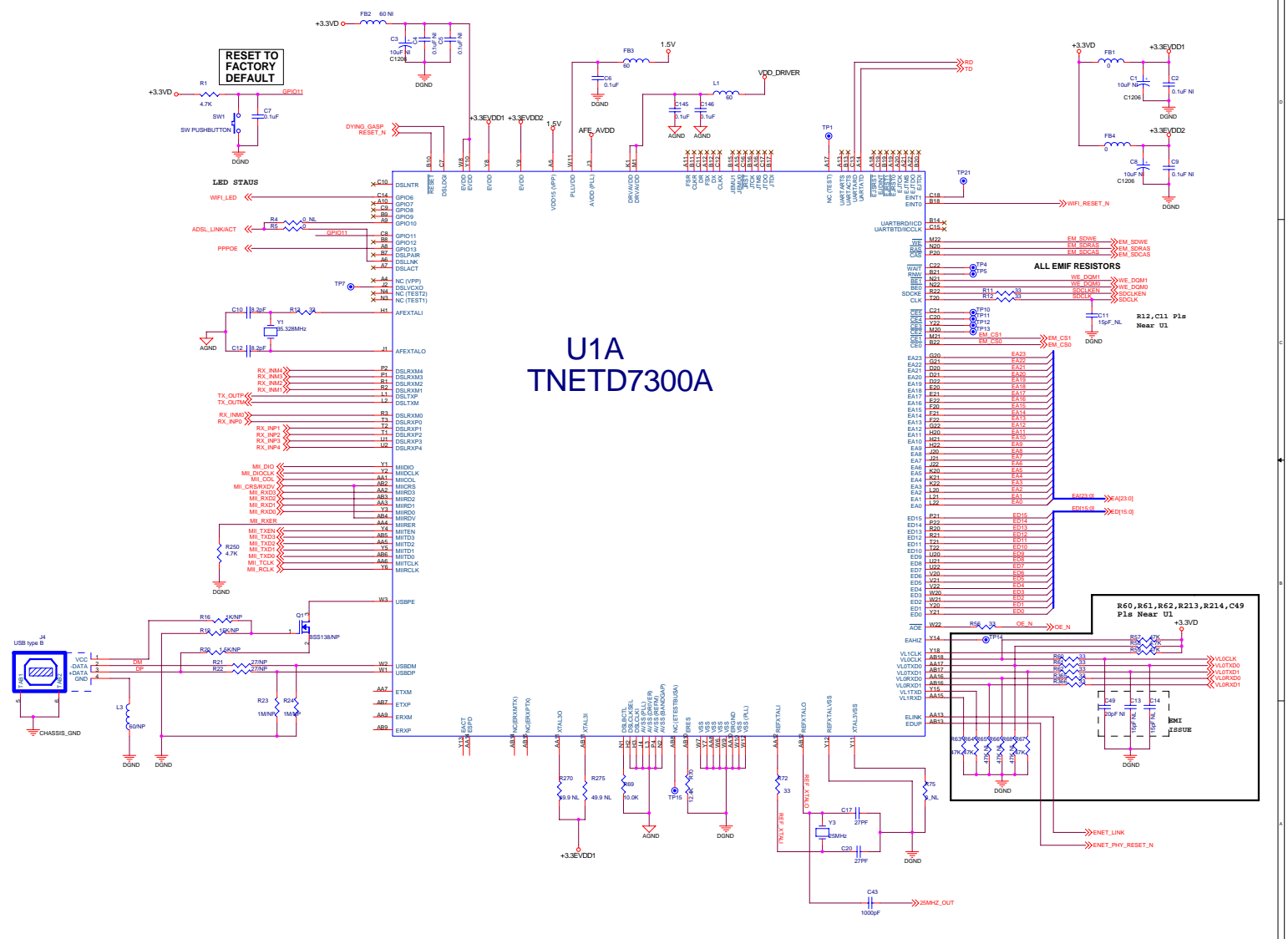


THIS AREA: USE HIGH VOLTAGE ISOLATION LAYOUT GUIDELINES



RESET CIRCUITRY





U1A TNETD7300A

