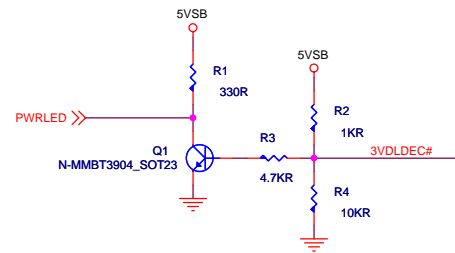


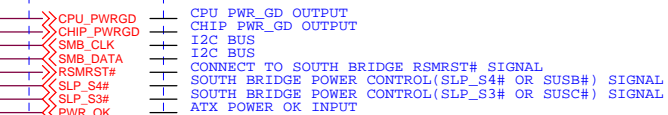
LINEAR MODE

3VSB MODE SELECT

3VSB MODE	3VLDDEC#
SINGLE MOSFET	PULL LOW
DUAL MOSFET	PULL HIGH

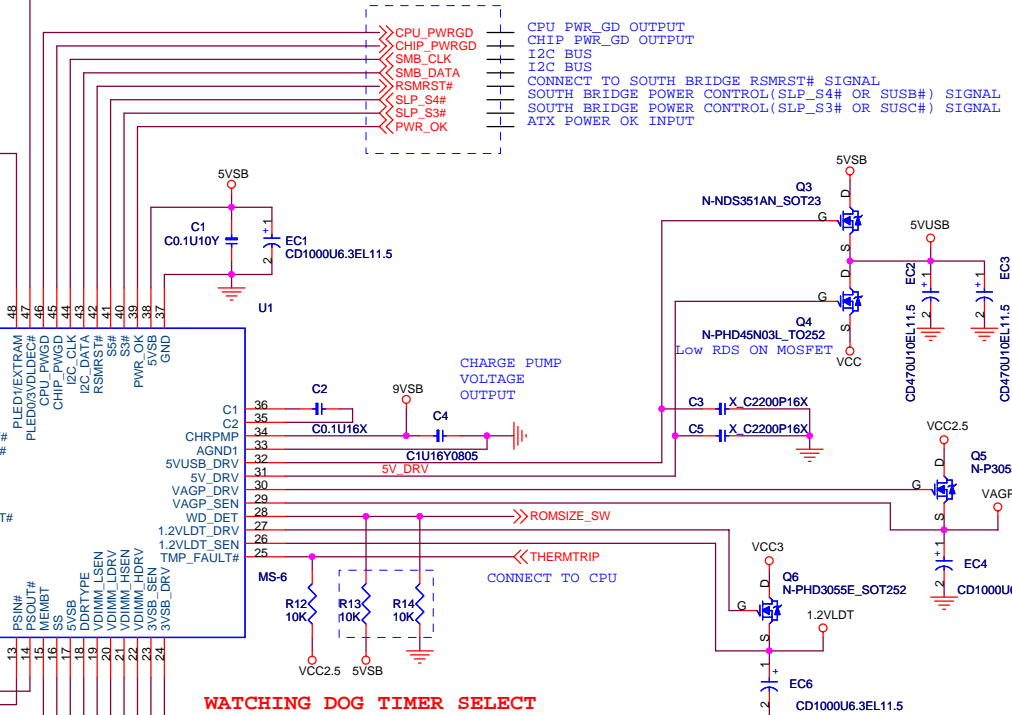
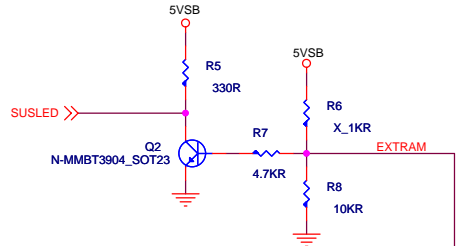


THESE OUTPUT AND INPUT PIN MUST BE PULL HIGH



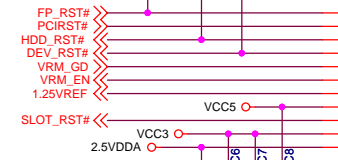
VDIMM LINEAR OR PWM SELECT

VDIMM MODE	EXTRAM
LINEAR REGULATOR	PULL LOW
PWM REGULATOR	PULL HIGH

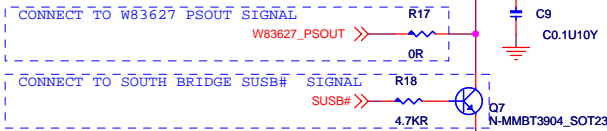


FRONT PANEL RESET BUTTON
PCIRST# INPUT
PCIRST# BUFFER OUTPUT

PCI SOLT PCIRST# BUFFER OUTPUT



ATX_PSON <<



THE TWO BLOCK CHOICE ONE SUPPORT SYSTEM POWER CONTROL

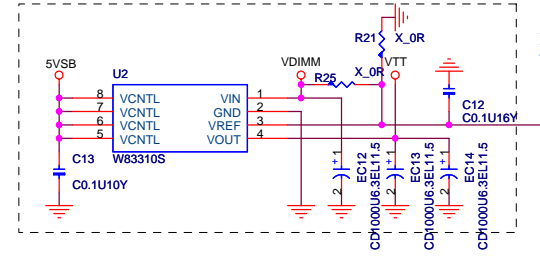
WATCHING DOG TIMER SELECT

WD_DET	TIMER
PULL LOW	OFF
PULL HIGH	ON

THE TWO MODE ONLY ONE MODE PRESENT

SINGLE MODE	DUAL MODE
THIS MODE SELECT BY PIN 47 PULL HIGH 5VSB	THIS MODE SELECT BY PIN 47 PULL LOW
3VSB REGULATE BY 5VSB	3VSB REGULATE BY 5VSB AND VCC3

DDR TERMINATION



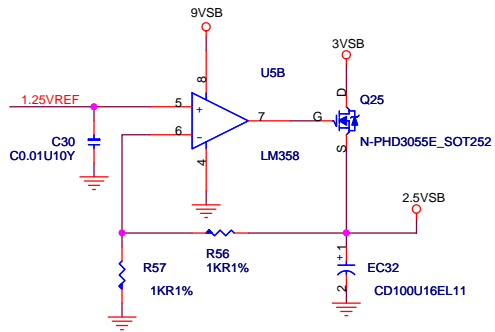
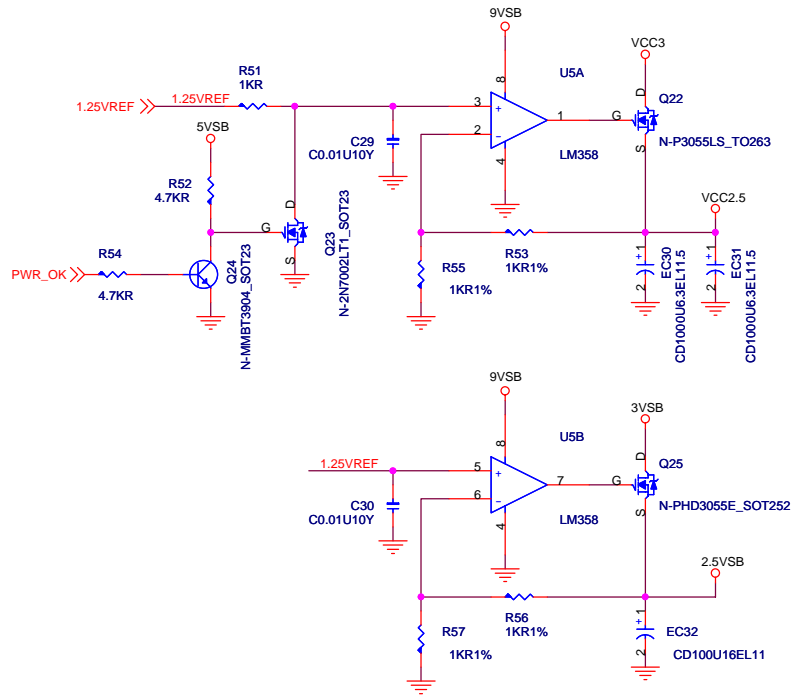
DDR AND DDR II VOLT SELECT

DDRTYPE	VDIMM
PULL LOW	2.5V
PULL HIGH	1.8V

THE VDIMM_HSEN IN LINEAR MODE

DDRTYPE	VDIMM_HSEN
DDR	VREF
DDR II	2.0V
	1.7V

THIS POINT VOLT CAN'T SETTING BELOW 2.9V



Micro Star Restricted Secret

Title	System Voltage Regulators	Rev
Document Number	MS-6 Linear mode	1.0
MICRO-STAR INT'L CO.,LTD.	Last Revision Date: Monday, March 17, 2003	
No. 69, Li-De St, Jung-Ho City, Taipei Hsien, Taiwan http://www.msi.com.tw	Sheet 2 of 2	