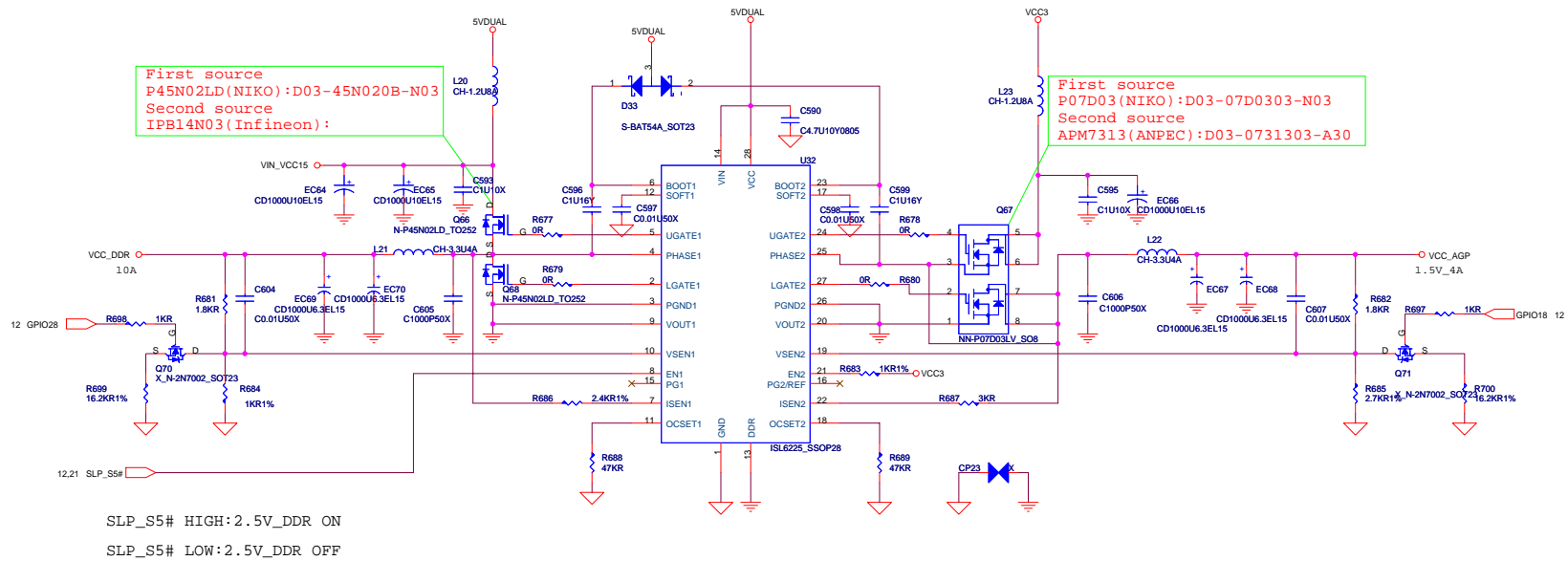


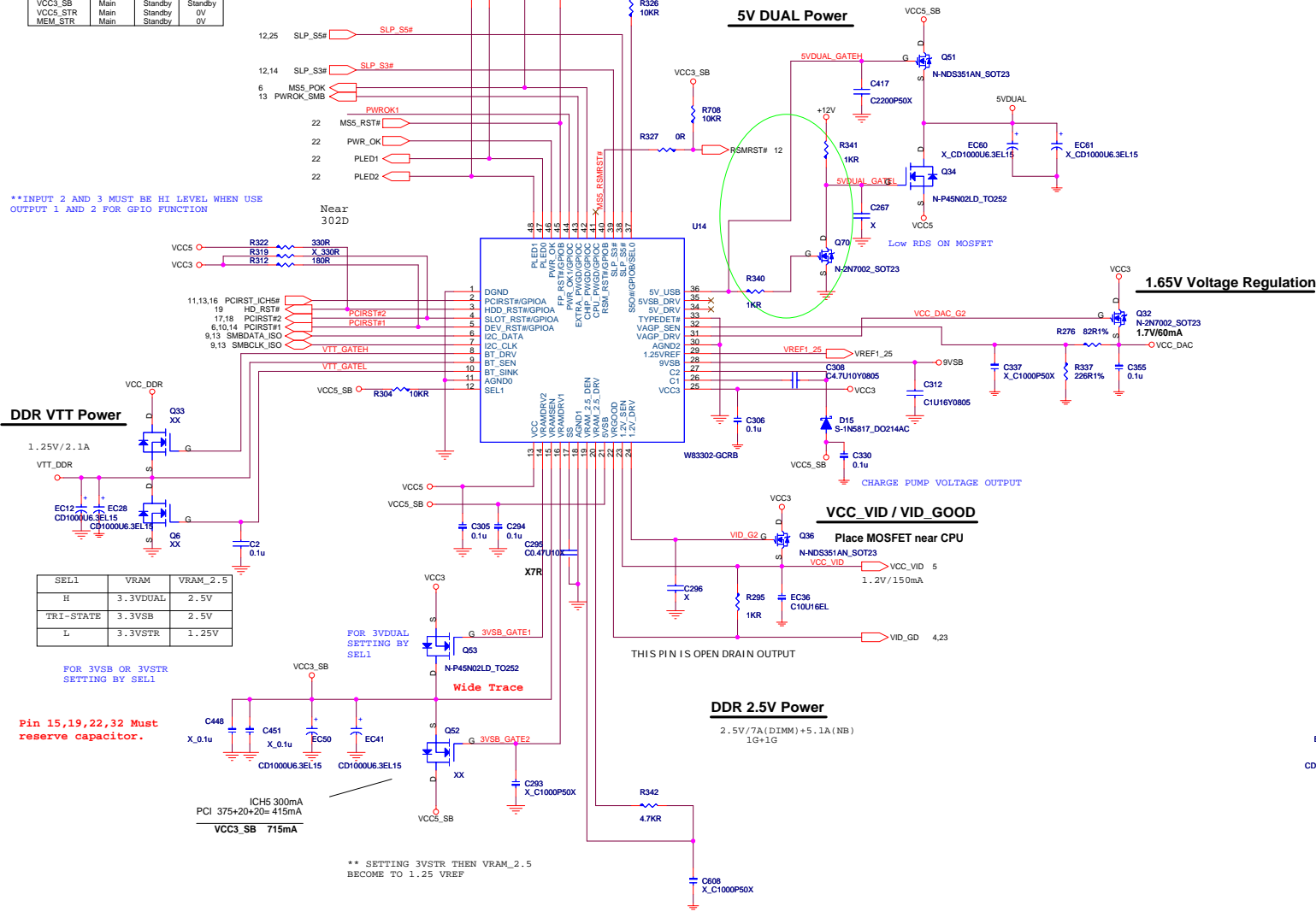
ISL6225 for VCC15 and DDR power



Power	S0	S3	S5
VCC3_SB	Main	Standby	Standby
VCC5_STR	Main	Standby	OV
MEM_STR	Main	Standby	OV

SELO	5VUSB
H	2 MOSFET
L	1 MOSFET

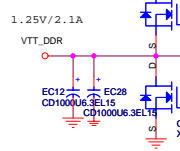
**S50# pin function(Hi level = 5V)
same as 5VUSB(Hi level = 12V)
5VUSB USE 2 MOSFET



**INPUT 2 AND 3 MUST BE HI LEVEL WHEN USE
OUTPUT 1 AND 2 FOR GPIO FUNCTION

Near
302D

DDR VTT Power



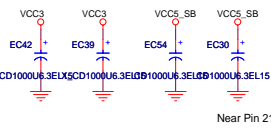
SEL1	VRAM	VRAM_2.5
H	3.3VDUAL	2.5V
TRI-SSTATE	3.3VSB	2.5V
L	3.3VSTR	1.25V

FOR 3VSB OR 3VSTR
SETTING BY SEL1

Pin 15,19,22,32 Must
reserve capacitor.

ICH5 300mA
PCI 375+20+20= 415mA
VCC3_SB 715mA

** SETTING 3VSTR THEN VRAM_2.5
BECOME TO 1.25V VREF



Near Pin 21