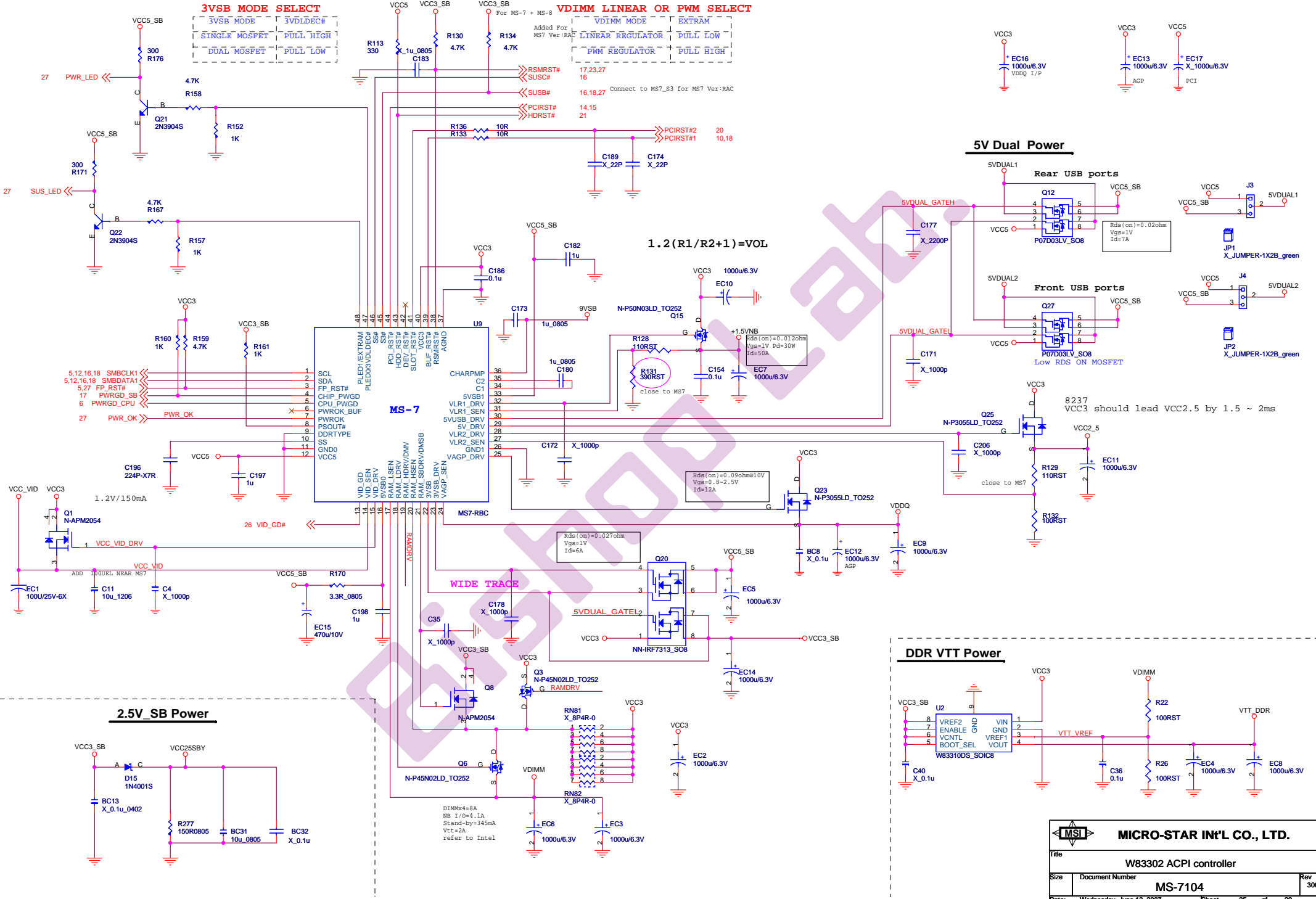
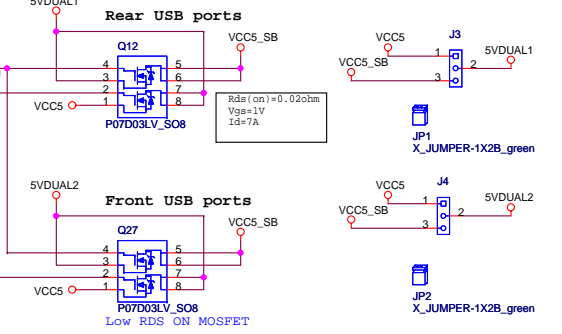


3VSB MODE SELECT
 3VSB MODE 3VSB DECH#
 SINGLE MOSFET PULL HIGH
 DUAL MOSFET PULL LOW

VDIMM LINEAR OR PWM SELECT
 VDIMM MODE EXTRAM
 LINEAR REGULATOR PULL LOW
 PWM REGULATOR PULL HIGH



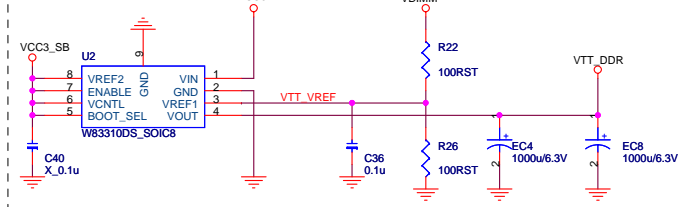
5V Dual Power



$1.2 \cdot (R1/R2 + 1) = VOL$

8237 VCC3 should lead VCC2.5 by 1.5 ~ 2ms

DDR VTT Power



		MICRO-STAR INT'L CO., LTD.	
Title: W83302 ACPI controller			
Size:	Document Number:	Rev: 300	
MS-7104			
Date:	Wednesday, June 13, 2007	Sheet:	25 of 29