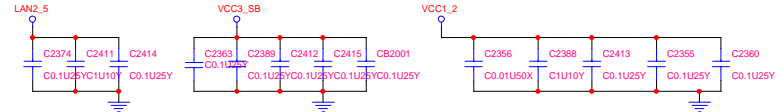
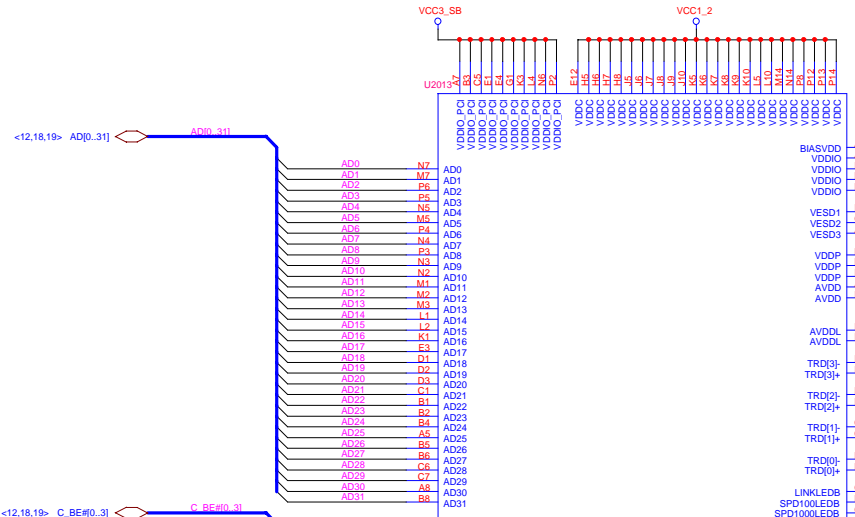


4401-VCC3\_SB  
5702/5705:VCC3

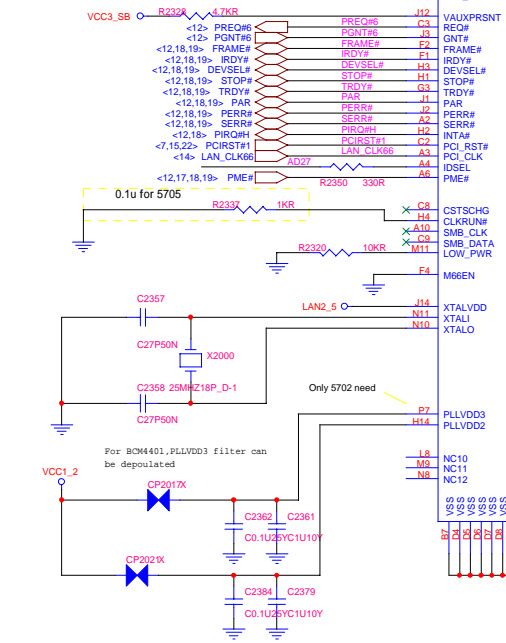


PLACE CAPACITORS AS CLOSE TO POWER PINS AS POSSIBLE

1000	10/100
MDI0[0]±	TX±
MDI1[0]±	RX±
MDI2[0]±	Unused
MDI3[0]±	Unused



**BCM4401KFB**  
**15mm x 15mm**  
**BGA196**



LINKLEDB  
SPD100LEDB  
SPD1000LEDB  
TRAFFICLEDB

RDAC  
GPIO0  
GPIO1  
GPIO2

EDECLK  
EEDATA

SPROMOUT  
SPROMIND

TRST#  
TDI  
TCK  
TMS  
TDO

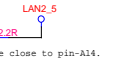
REGSUP25  
REGCTL25  
REGSEN25

REGSUP12  
REGCTL12  
REGSEN12

NC1  
NC2  
NC3  
NC4  
NC5  
NC6  
NC7  
NC8  
NC9

PLLVDD3  
PLLVDD2

SI  
SO  
SCLK  
CS#



PLACE CAPACITORS AS CLOSE TO POWER PINS AS POSSIBLE



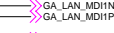
PLACE CAPACITORS AS CLOSE TO POWER PINS AS POSSIBLE



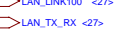
PLACE CAPACITORS AS CLOSE TO POWER PINS AS POSSIBLE



PLACE CAPACITORS AS CLOSE TO POWER PINS AS POSSIBLE



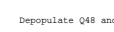
PLACE CAPACITORS AS CLOSE TO POWER PINS AS POSSIBLE



PLACE CAPACITORS AS CLOSE TO POWER PINS AS POSSIBLE



PLACE CAPACITORS AS CLOSE TO POWER PINS AS POSSIBLE



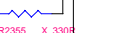
PLACE CAPACITORS AS CLOSE TO POWER PINS AS POSSIBLE



PLACE CAPACITORS AS CLOSE TO POWER PINS AS POSSIBLE



PLACE CAPACITORS AS CLOSE TO POWER PINS AS POSSIBLE



PLACE CAPACITORS AS CLOSE TO POWER PINS AS POSSIBLE



PLACE CAPACITORS AS CLOSE TO POWER PINS AS POSSIBLE



PLACE CAPACITORS AS CLOSE TO POWER PINS AS POSSIBLE



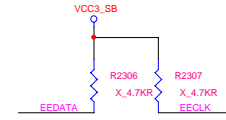
PLACE CAPACITORS AS CLOSE TO POWER PINS AS POSSIBLE



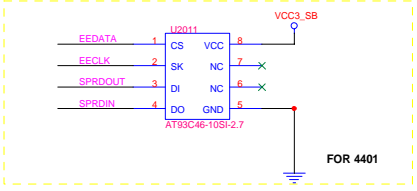
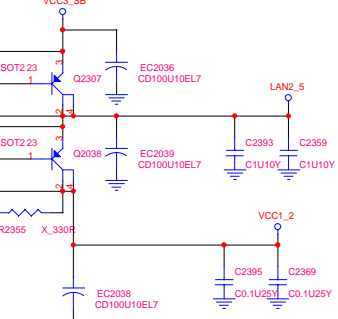
PLACE CAPACITORS AS CLOSE TO POWER PINS AS POSSIBLE



PLACE CAPACITORS AS CLOSE TO POWER PINS AS POSSIBLE



Depopulate Q48 and Q49 for BCM4401



**MICRO-STAR INT'L CO.,LTD.**

Title			
RTL8100C/8110S			
Size	Document Number	MS-7156	Rev 0A
Date:	Tuesday, December 07, 2004	Sheet 26 of 28	