

TYPICAL APPLICATION CIRCUIT

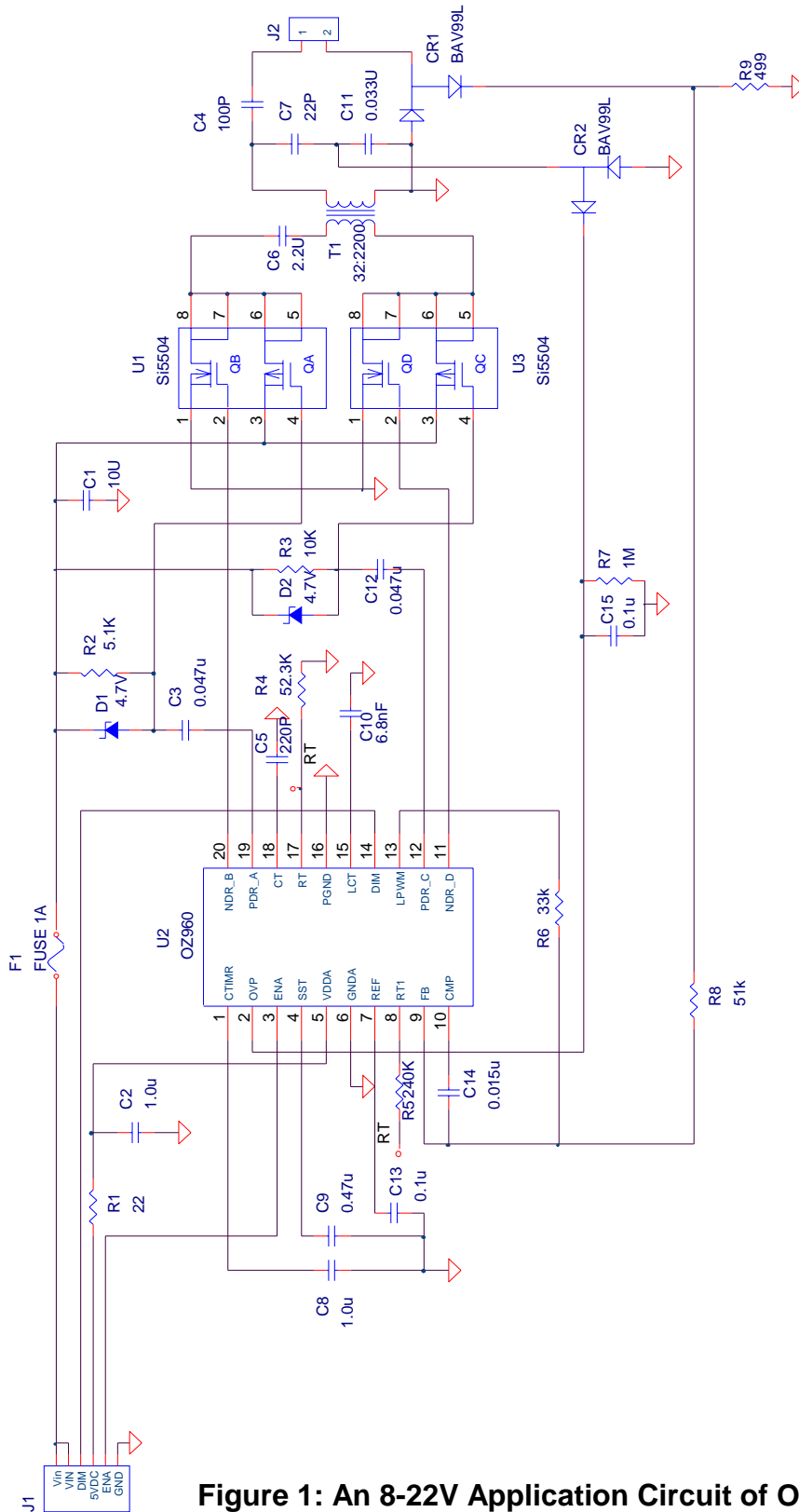


Figure 1: An 8-22V Application Circuit of OZ960

VIN: 8.0V--22V
 ENA: 0V--1.0V Disable; 2.0V--3.3V Enable
 DIM: 3V Max. Brightness; 1.2V Min. Brightness
 Striking frequency: 74KHz - 82KHz
 Operating frequency: 56KHz - 64KHz