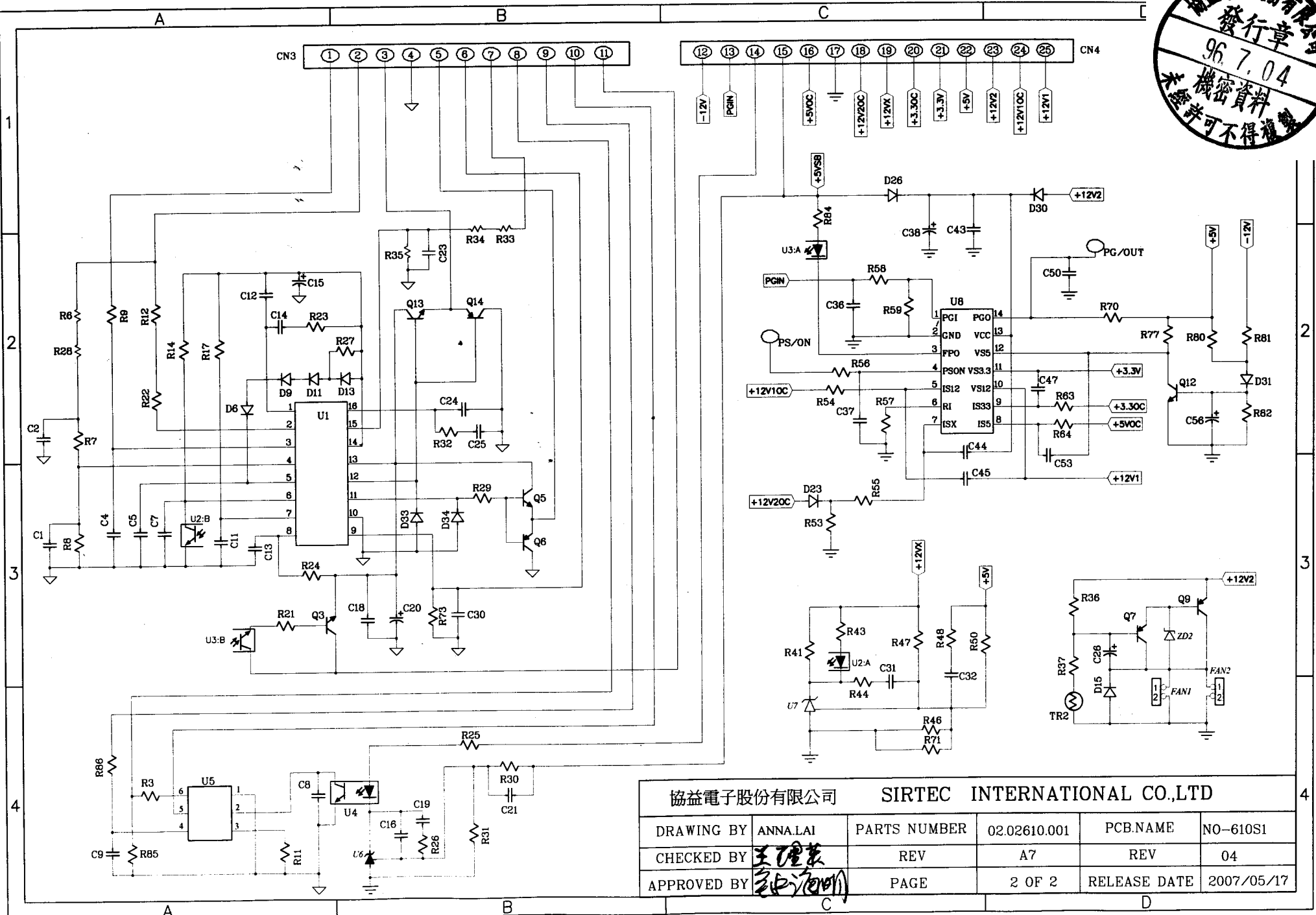


協益電子股份有限公司		SIRTEC INTERNATIONAL CO.,LTD			
DRAWING BY	ANNA LAI	PARTS NUMBER	02.02610.001	PCB NAME	NO610-1
CHECKED BY	<i>[Signature]</i>	REV	A7	REV	A1
APPROVED BY	<i>[Signature]</i>	PAGE	1 OF 2	RELEASE DATE	2007/05/17



協益電子股份有限公司		SIRTEC INTERNATIONAL CO.,LTD			
DRAWING BY	ANNA.LAI	PARTS NUMBER	02.02610.001	PCB.NAME	NO-610S1
CHECKED BY	王理榮	REV	A7	REV	04
APPROVED BY	李中源	PAGE	2 OF 2	RELEASE DATE	2007/05/17