

MALIBU-3 INT SDV

- 1.TITLE PAGE
- 2.EC HISTORY
- 3.CPU(1/3)
- 4.CPU(2/3)
- 5.CPU(3/3)
- 6.ITP CONNECTOR
- 7.CANTIGA(1/8):HOST I/F
- 8.CANTIGA(2/8):DMI/CLK/CONTROL
- 9.CANTIGA(3/8):PEG/GRAPHICS
- 10.CANTIGA(4/8):DDR3 CHANNEL-A
- 11.CANTIGA(5/8):DDR3 CHANNEL-B
- 12.CANTIGA(6/8):POWER
- 13.CANTIGA(7/8):POWER/FILTER
- 14.CANTIGA(8/8):GND
- 15.DDR3 SO DIMM CHANNEL-A
- 16.DDR3 SO DIMM CHANNEL-B
- 17.DDR3 DECOUPLING
- 18.CLOCK GEN
- 19.BLANK
- 20.BLANK
- 21.BLANK
- 22.BLANK
- 23.BLANK
- 24.BLANK
- 25.BLANK
- 26.BLANK
- 27.BLANK
- 28.BLANK
- 29.LCD CONNECTOR
- 30.RGB SWITCH
- 31.EXT CRT INTERFACE
- 32.DISPLAY PORT CONNECTOR
- 33.ICH9-M(1/6):SATA/HDA/GLAN/LPC
- 34.ICH9-M(2/6):DMI/PCIE/USB/SPI
- 35.ICH9-M(3/6):PCI/INTERRUPT
- 36.ICH9-M(4/6):GPIO/CLK/PM
- 37.ICH9-M(5/6):POWER
- 38.ICH9-M(6/6):GND
- 39.RTC BATTERY
- 40.SATA HDD CONN
- 41.SATA BAY I/F CONN
- 42.USB POWER/CONN
- 43.AUDIO CX20561
- 44.AUDIO MISC
- 45.AUDIO INT MIC
- 46.AUDIO HP&EXT MIC CONN
- 47.AUDIO EXT MIC AMP
- 48.AUDIO SPEAKER
- 49.AUDIO HDP AMP
- 50.AUDIO BEEP
- 51.AMOM CONEXANT CX20548

- 52.GBE BOAZMAN
- 53.GBE LAN SWITCH
- 54.GBE MAGNETICS
- 55.RJ11/RJ45 CONNECTOR
- 56.PCIE MINI CARD SLOT
- 57.PCIE HALF MINI CARD SLOT
- 58.CARD BUS CONTROLLER(1/2)
- 59.CARD BUS CONTROLLER(2/2)
- 60.CARD BUS SLOT
- 61.CARD BUS POWER CONTROL
- 62.BLANK
- 63.SPI FLASH
- 64.DOCKING CONNECTOR
- 65.H8S/2116B(1/2)
- 66.H8S/2116B(2/2)
- 67.KEYBOARD CONNECTOR
- 68.TOUCH PAD CONNECTOR
- 69.WIRELESS DISABLE SW
- 70.FAN CONNECTOR
- 71.G-SENSOR
- 72.MISC G/A(PMH7)
- 73.SUPER I/O
- 74.THERMAL SENSOR
- 75.EEPROM/SMBUS SW/TPM
- 76.DC-IN
- 77.BATTERY INPUT
- 78.BATTERY CHARGER
- 79.CHARGE SELECTOR
- 80.BATTERY MONITOR
- 81.POWER SEQUENCE
- 82.DC/DC VCC5M/VCC3M
- 83.DC/DC VCCCPUCORE
- 84.VCCCPUCORE DECOUPLING
- 85.BLANK
- 86.DC/DC VCCGFXCORE
- 87.BLANK
- 88.DC/DC VCC1R5A/VCC1R05AMT
- 89.DC/DC VCC0R75AMT
- 90.BLANK
- 91.CLPWRG
- 92.DC/DC RINKAN
- 93.LOAD SW AMT&LAN
- 94.BLANK
- 95.LOAD SW AUX
- 96.LOAD SW B
- 97.DC/DC VCC1R8B
- 98.LOAD SW UBAY&WWAN
- 99.CPU POWER MONITOR
- 100.EMC DECOUPLING
- 101.PTH FOR SCREW HOLES

	DATE	EC NO.	PART NO.
REL			VER.0.11
			DEVELOPMENT NO. Q/M
			1 / 101

MLB3I-1
VER.0.11
OCT/19/07

VER.0.11

DESIGNER	Y.Y	10/19/07	PART NO.
CHECKED	Y.I	10/19/07	VER.0.11
APPROVED	H.K	10/19/07	TITLE MLB-3 INT SDV
CLASS	H.K	10/19/07	TITLE PAGE
<small>THIS DOCUMENT IS THE PROPERTY OF LENOVO.ITS USE IS AUTHORIZED ONLY FOR RESPONDING TO A REQUEST FOR QUOTATION OR FOR THE PERFORMANCE OF WORK FOR LENOVO.ALL QUESTIONS MUST BE REFERRED TO THE LENOVO PURCHASING DEPARTMENT.</small>			LENOVO CONFIDENTIAL

EC HISTORY

MALIBU-3 INTEG SDV
 BASE LOGIC MALIBU-3 EXT SDV VER.1.42

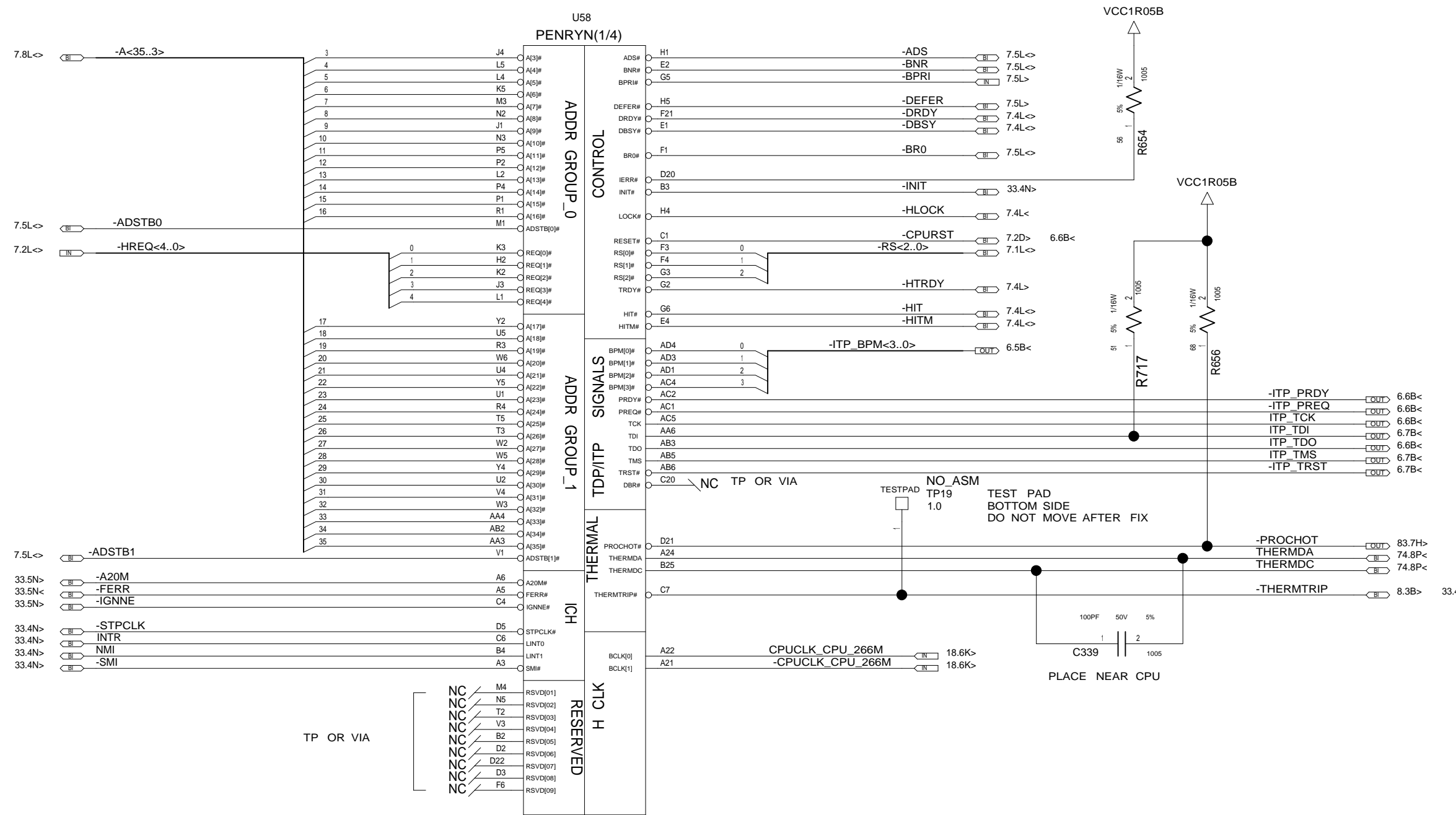
VER.0.00	APPLY	MLB3_SDV_EC500
VER.0.01	APPLY	MLB3_SDV_EC501-516
VER.0.02	APPLY	MLB3_SDV_EC517
VER.0.03	APPLY	MLB3_SDV_EC518-522
VER.0.04	APPLY	MLB3_SDV_EC523-526
VER.0.05	APPLY	MLB3_SDV_EC527-529
VER.0.06	APPLY	MLB3_SDV_EC531
VER.0.07	APPLY	MLB3_SDV_EC532,533
VER.0.08	APPLY	MLB3_SDV_EC535-539
VER.0.09	APPLY	MLB3_SDV_EC540
VER.0.10	APPLY	MLB3_SDV_EC541
VER.0.11	APPLY	MLB3_SDV_EC542

	DATE	EC NO.	PART NO.	
REL			VER.0.11	
			DEVELOPMENT NO.	Q/M
				2 / 101

VER.0.11

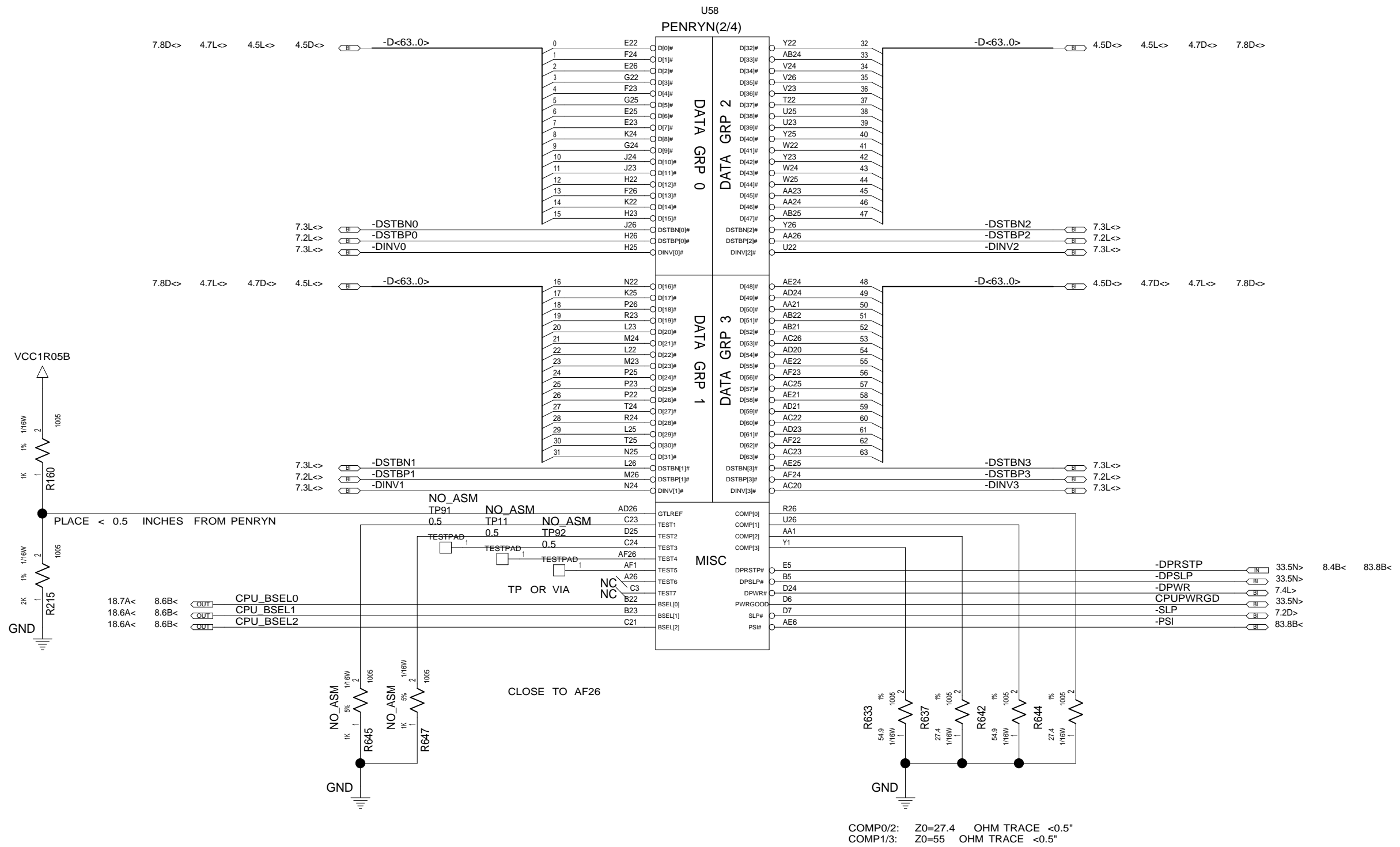
DESIGNER	Y.Y	10/19/07	PART NO.	
CHECKED	Y.I	10/19/07	VER.0.11	
APPROVED	H.K	10/19/07	TITLE MLB-3 INT SDV	
CLASS	H.K	10/19/07	EC HISTORY	
<small>THIS DOCUMENT IS THE PROPERTY OF LENOVO.ITS USE IS AUTHORIZED ONLY FOR RESPONDING TO A REQUEST FOR QUOTATION OR FOR THE PERFORMANCE OF WORK FOR LENOVO.ALL QUESTIONS MUST BE REFERRED TO THE LENOVO PURCHASING DEPARTMENT.</small>			LENOVO CONFIDENTIAL	

REL	DATE	EC NO.	PART NO. VER.0.11	
			DEVELOPMENT NO.	Q/M 3 / 101



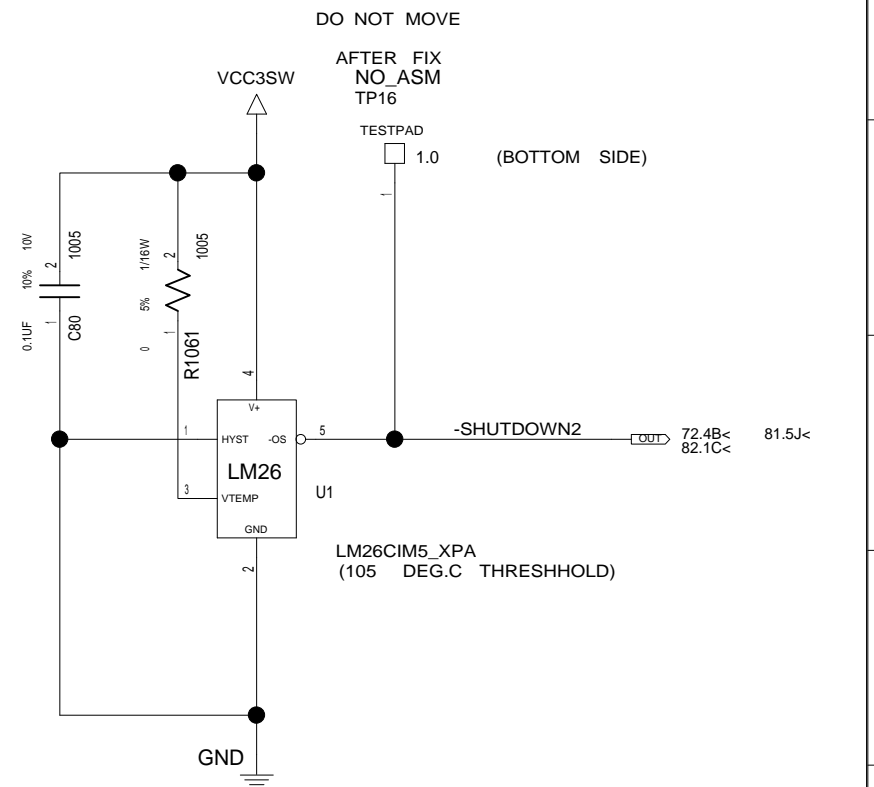
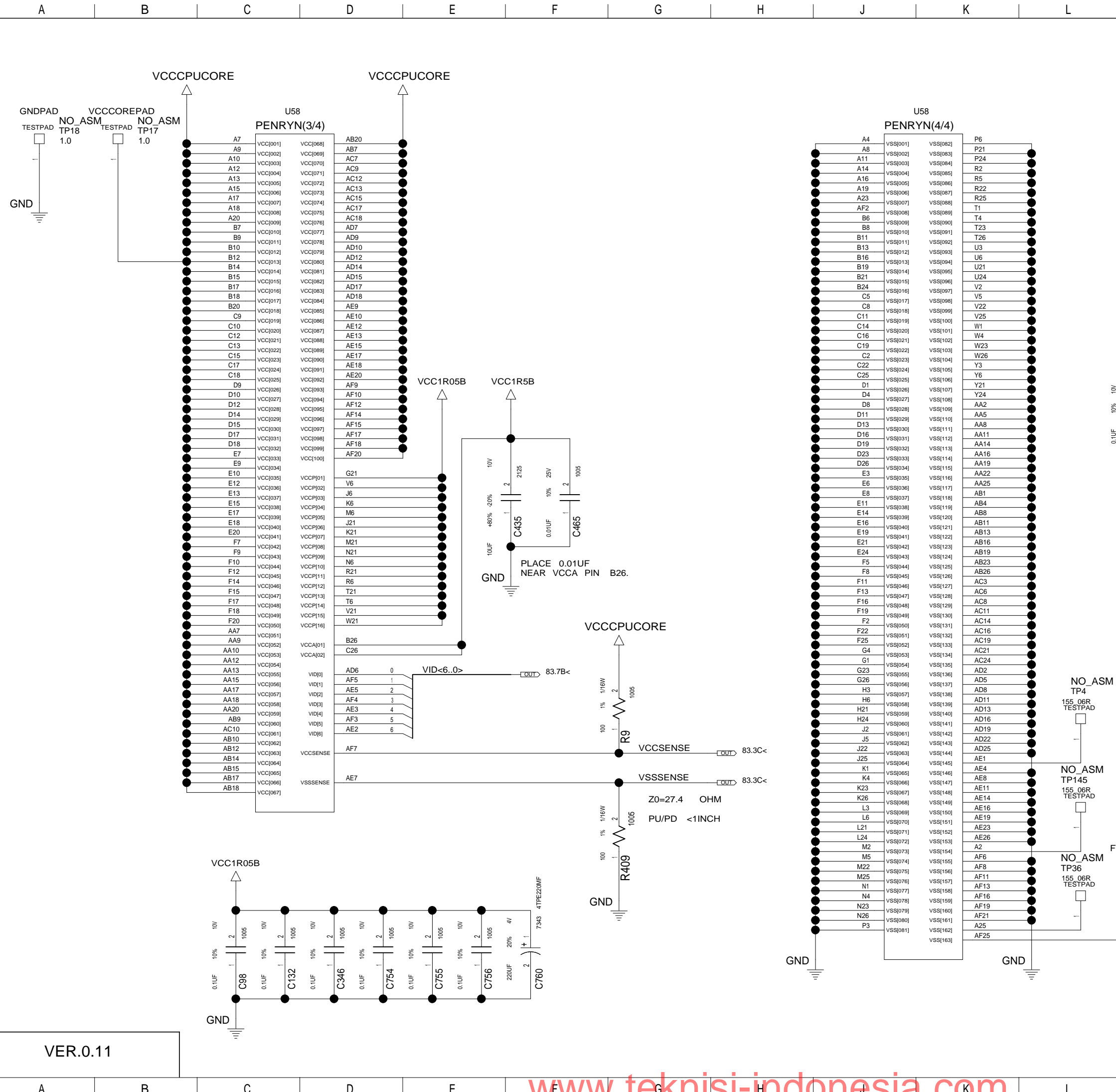
DESIGNER	Y.Y	10/19/07	PART NO. VER.0.11	
CHECKED	Y.I	10/19/07	TITLE MLB-3 INT SDV	
APPROVED	H.K	10/19/07	CPU(1/3)	
CLASS	H.K	10/19/07	LENovo CONFIDENTIAL	

	DATE	EC NO.	PART NO.	
REL			VER.0.11	
			DEVELOPMENT NO.	Q/M
				4 / 101



VER.0.11

DESIGNER	Y.Y	10/19/07	PART NO.	
CHECKED	Y.I	10/19/07	VER.0.11	
APPROVED	H.K	10/19/07	TITLE MLB-3 INT SDV	
CLASS	H.K	10/19/07	CPU(2/3)	
THIS DOCUMENT IS THE PROPERTY OF LENOVO. ITS USE IS AUTHORIZED ONLY FOR RESPONDING TO A REQUEST FOR QUOTATION OR FOR THE PERFORMANCE OF WORK FOR LENOVO. ALL QUESTIONS MUST BE REFERRED TO THE LENOVO PURCHASING DEPARTMENT.			LENOVO CONFIDENTIAL	



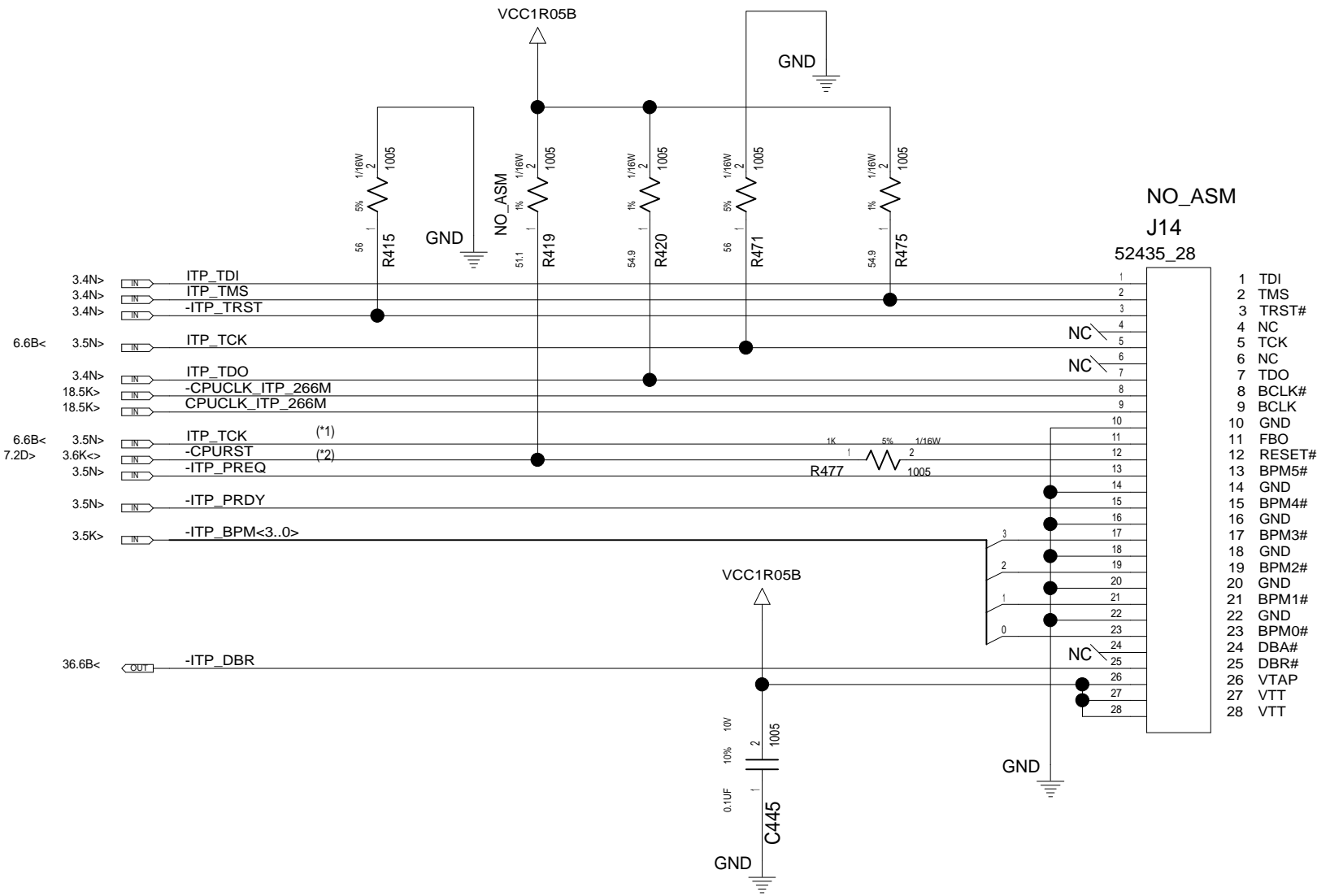
TABLE

U1	R1061
NS LM26 MAXIM MAX6519	NO_ASM
MAXIM MAX6501 ADI ADT6501	ASM

← PRIMARY

FOR SOLDER CRACK DETECTION

DESIGNER	Y.Y	10/19/07	PART NO.
CHECKED	Y.I	10/19/07	VER.0.11
APPROVED	H.K	10/19/07	TITLE
CLASS	H.K	10/19/07	MLB-3 INT SDV
			CPU(3/3)
THIS DOCUMENT IS THE PROPERTY OF LENOVO. ITS USE IS AUTHORIZED ONLY FOR RESPONDING TO A REQUEST FOR QUOTATION OR FOR THE PERFORMANCE OF WORK FOR LENOVO. ALL QUESTIONS MUST BE REFERRED TO THE LENOVO PURCHASING DEPARTMENT.			LENOVO CONFIDENTIAL



- NO_ASM
J14
52435_28
- | | |
|----|--------|
| 1 | TDI |
| 2 | TMS |
| 3 | TRST# |
| 4 | NC |
| 5 | TCK |
| 6 | NC |
| 7 | TDO |
| 8 | BCLK# |
| 9 | BCLK |
| 10 | GND |
| 11 | FBO |
| 12 | RESET# |
| 13 | BPM5# |
| 14 | GND |
| 15 | BPM4# |
| 16 | GND |
| 17 | BPM3# |
| 18 | GND |
| 19 | BPM2# |
| 20 | GND |
| 21 | BPM1# |
| 22 | GND |
| 23 | BPM0# |
| 24 | DBA# |
| 25 | DBR# |
| 26 | VTAP |
| 27 | VTT |
| 28 | VTT |

TABLE

REF DES	FOR ITP700FLEX	FOR ITP-XDP
J14	NO_ASM ---> ASM	NO_ASM ---> ASM
C445	ASM(NO CHANGE)	ASM(NO CHANGE)
R717	ASM ---> 150 5% ASM	ASM(NO CHANGE)
R477	ASM ---> 22.6 1% ASM	ASM(NO CHANGE)
R415	ASM(NO CHANGE)	ASM(NO CHANGE)
R419	NO_ASM ---> ASM	NO_ASM(NO CHANGE)
R420	ASM(NO CHANGE)	ASM(NO CHANGE)
R471	ASM ---> 27.4 1% ASM	ASM(NO CHANGE)
R475	ASM ---> 39.2 1% ASM	ASM(NO CHANGE)

NOTES : C445 AND R477 "ASM" BEFORE SIT. "NO_ASM" FROM SIT.

(*1) TCK SIGNAL IS BRANCHED AT PENRYN PIN
 (*2) -CPURST SIGNAL IS BRANCHED AT CANTIGA PIN

	DATE	EC NO.	PART NO.	
REL			VER.0.11	
			DEVELOPMENT NO.	Q/M
				7 / 101



VER.0.11

DESIGNER	Y.Y	10/19/07	PART NO.	
CHECKED	Y.I	10/19/07	VER.0.11	
APPROVED	H.K	10/19/07	TITLE MLB-3 INT SDV	
CLASS	H.K	10/19/07	CANTIGA(1/8):HOST I/F	
THIS DOCUMENT IS THE PROPERTY OF LENOVO. ITS USE IS AUTHORIZED ONLY FOR RESPONDING TO A REQUEST FOR QUOTATION OR FOR THE PERFORMANCE OF WORK FOR LENOVO. ALL QUESTIONS MUST BE REFERRED TO THE LENOVO PURCHASING DEPARTMENT.				
LENOVO CONFIDENTIAL				

REL	DATE	EC NO.	PART NO.
			VER.0.11
			DEVELOPMENT NO.
			Q/M
			8 / 101

ME DEBUG PORT PIN OUT TABLE

RSVD10	ME_JTAG_TCK
RSVD11	ME_JTAG_TDI
RSVD12	ME_JTAG_TDO
RSVD13	ME_JTAG_TMS

NEED TP OR VIA FOR THESE PINS

HOST BUS CLK SELECT TABLE

	BSEL2	BSEL1	BSEL0
667M	0	1	1
800M	0	1	0
1066M	0	0	0

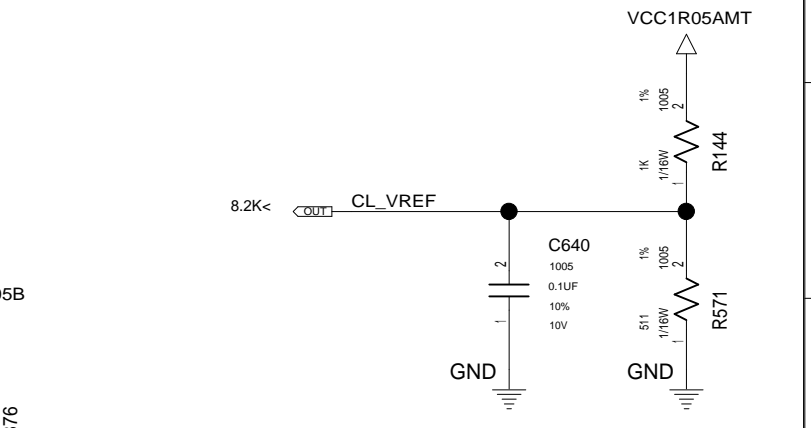
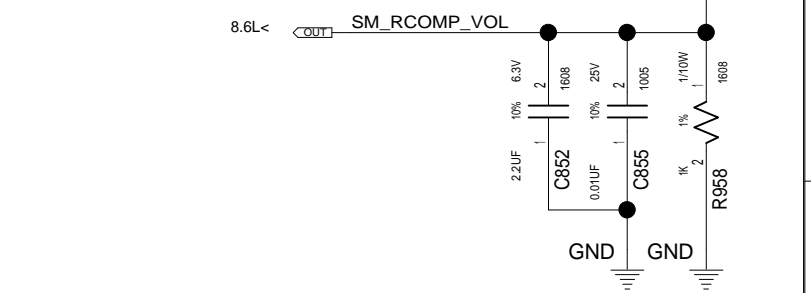
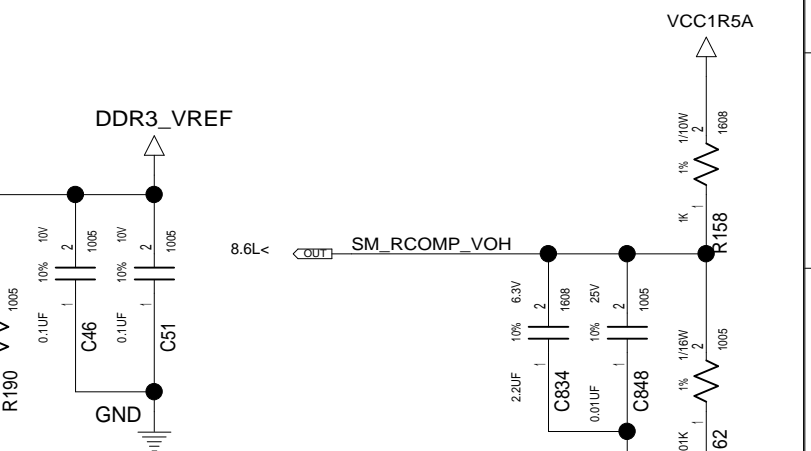
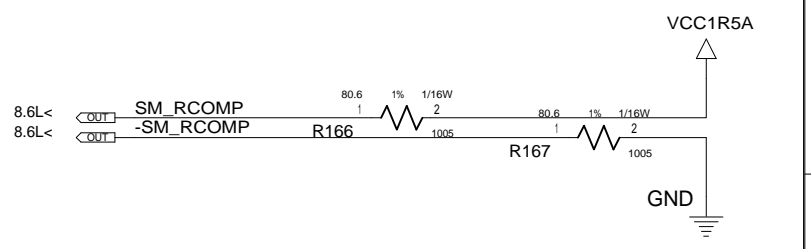
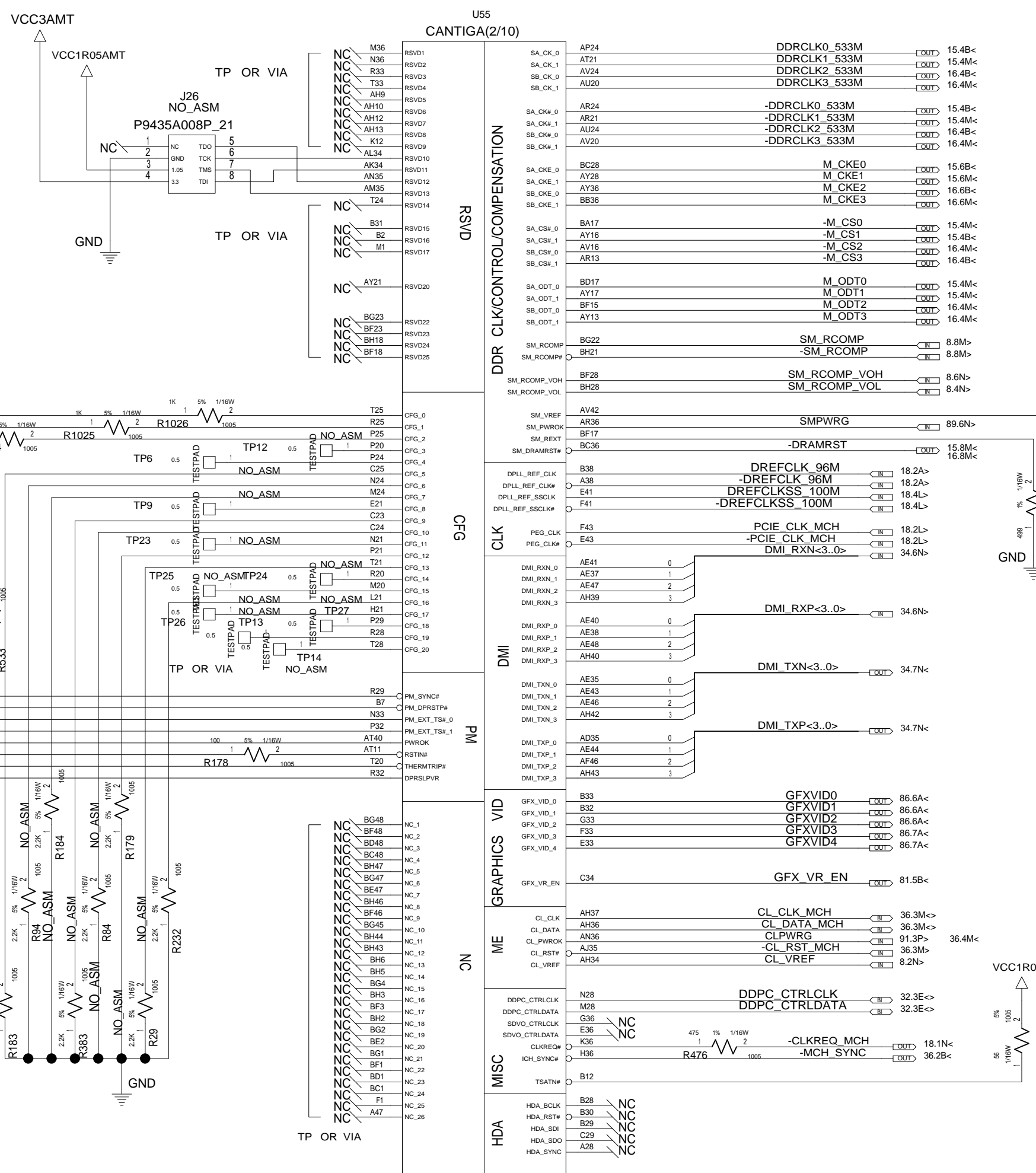
18.7A<	4.3C>	CPU_BSEL0
18.6A<	4.3C>	CPU_BSEL1
18.6A<	4.3C>	CPU_BSEL2

CFG[17:3] INTERNAL PULLUP
CFG[20:18] INTERNAL PULLDOWN

83.8B<	4.3M<	-PM_SYNC
		-DPRSTP
		-MEM_TS0
		-MEM_TS1
		BPWRG
91.3K<	75.0F<	75.6K<
66.1B<	36.5M>	35.1L>
74.6B<	74.5E<	92.3M>
		72.6B<
61.1B<	56.6B<	75.6K<
73.6C<	72.6A<	35.1L>
		65.5C<
33.4N<	3.3N<>	-PLTRST_FAR
		-THERMTRIP
		DPRSLPVR

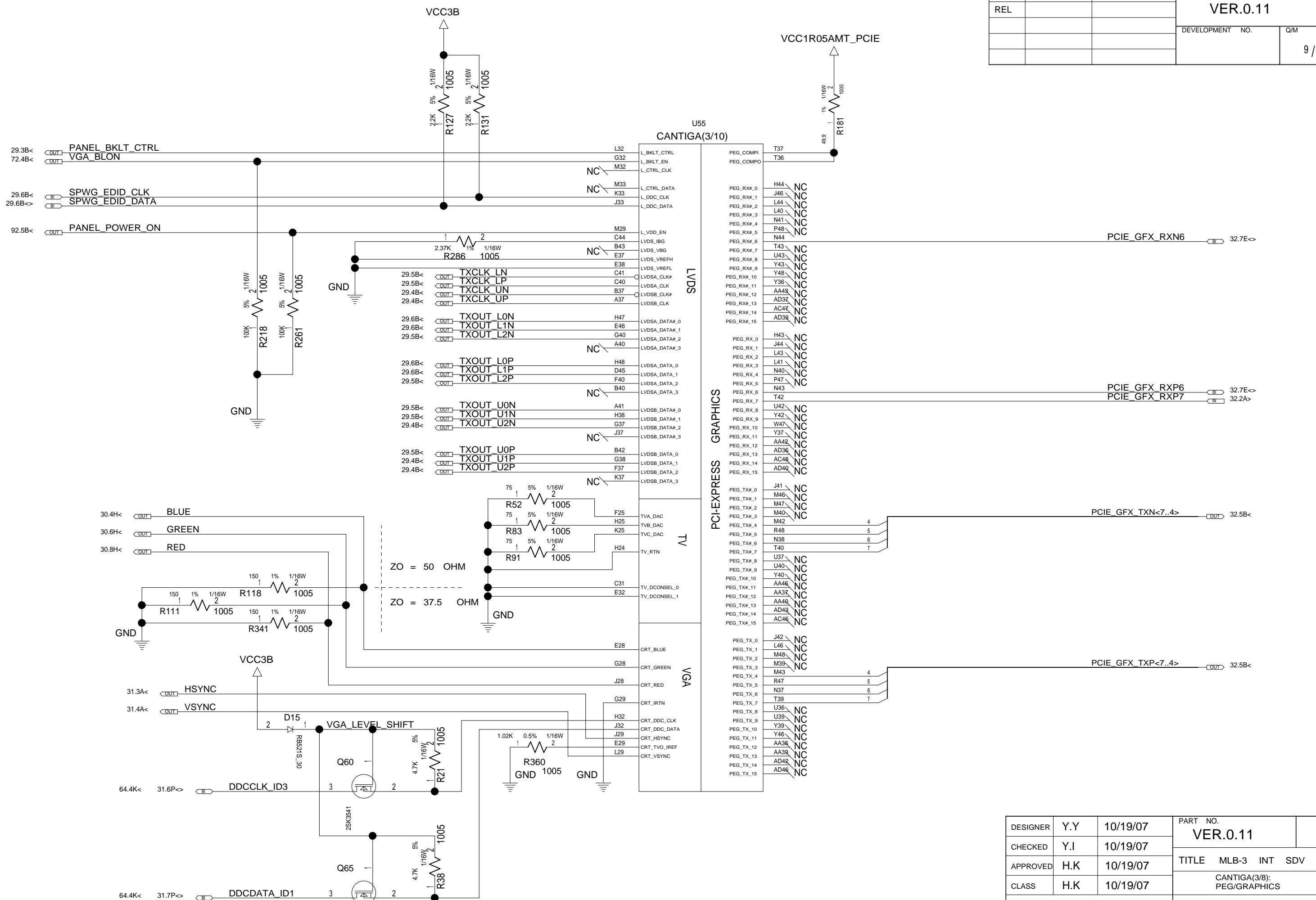
CFG5 DMI	R183
X2 :	ASM
X4 :	NO_ASM
CFG6 ITPM HOST I/F	
ENABLE :	ASM
DISABLE :	NO_ASM
CFG7 ME CRYPTO STRAP	
NO CONFIDENTIALITY :	ASM
WITH CONFIDENTIALITY :	NO_ASM
CFG9 PEG PORT	R383
LANE REVERSAL :	ASM
NORMAL :	NO_ASM

VER.0.11



DESIGNER	Y.Y	10/19/07	PART NO.
CHECKED	Y.I	10/19/07	VER.0.11
APPROVED	H.K	10/19/07	TITLE
CLASS	H.K	10/19/07	MLB-3 INT SDV
			CANTIGA(2/8):
			DMI/CLK/CONTROL
THIS DOCUMENT IS THE PROPERTY OF LENOVO. ITS USE IS AUTHORIZED ONLY FOR RESPONDING TO A REQUEST FOR QUOTATION OR FOR THE PERFORMANCE OF WORK FOR LENOVO. ALL QUESTIONS MUST BE REFERRED TO THE LENOVO PURCHASING DEPARTMENT.			LENOVO CONFIDENTIAL

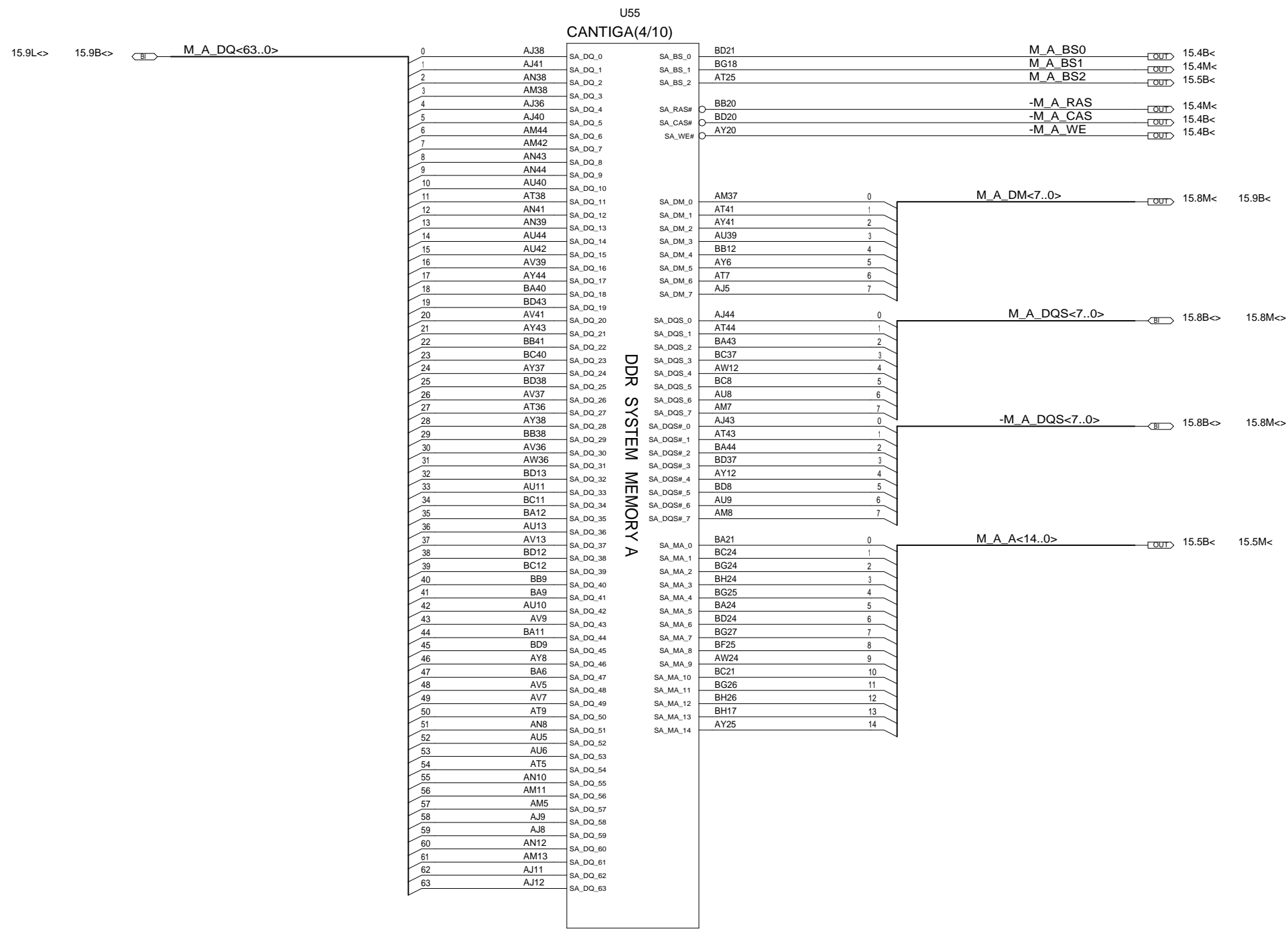
REL	DATE	EC NO.	PART NO.
			VER.0.11
			DEVELOPMENT NO.
			Q/M
			9 / 101



VER.0.11

DESIGNER	Y.Y	10/19/07	PART NO.
CHECKED	Y.I	10/19/07	VER.0.11
APPROVED	H.K	10/19/07	TITLE MLB-3 INT SDV
CLASS	H.K	10/19/07	CANTIGA(3/8): PEG/GRAPHICS
<small>THIS DOCUMENT IS THE PROPERTY OF LENOVO. ITS USE IS AUTHORIZED ONLY FOR RESPONDING TO A REQUEST FOR QUOTATION OR FOR THE PERFORMANCE OF WORK FOR LENOVO. ALL QUESTIONS MUST BE REFERRED TO THE LENOVO PURCHASING DEPARTMENT.</small>			LENOVO CONFIDENTIAL

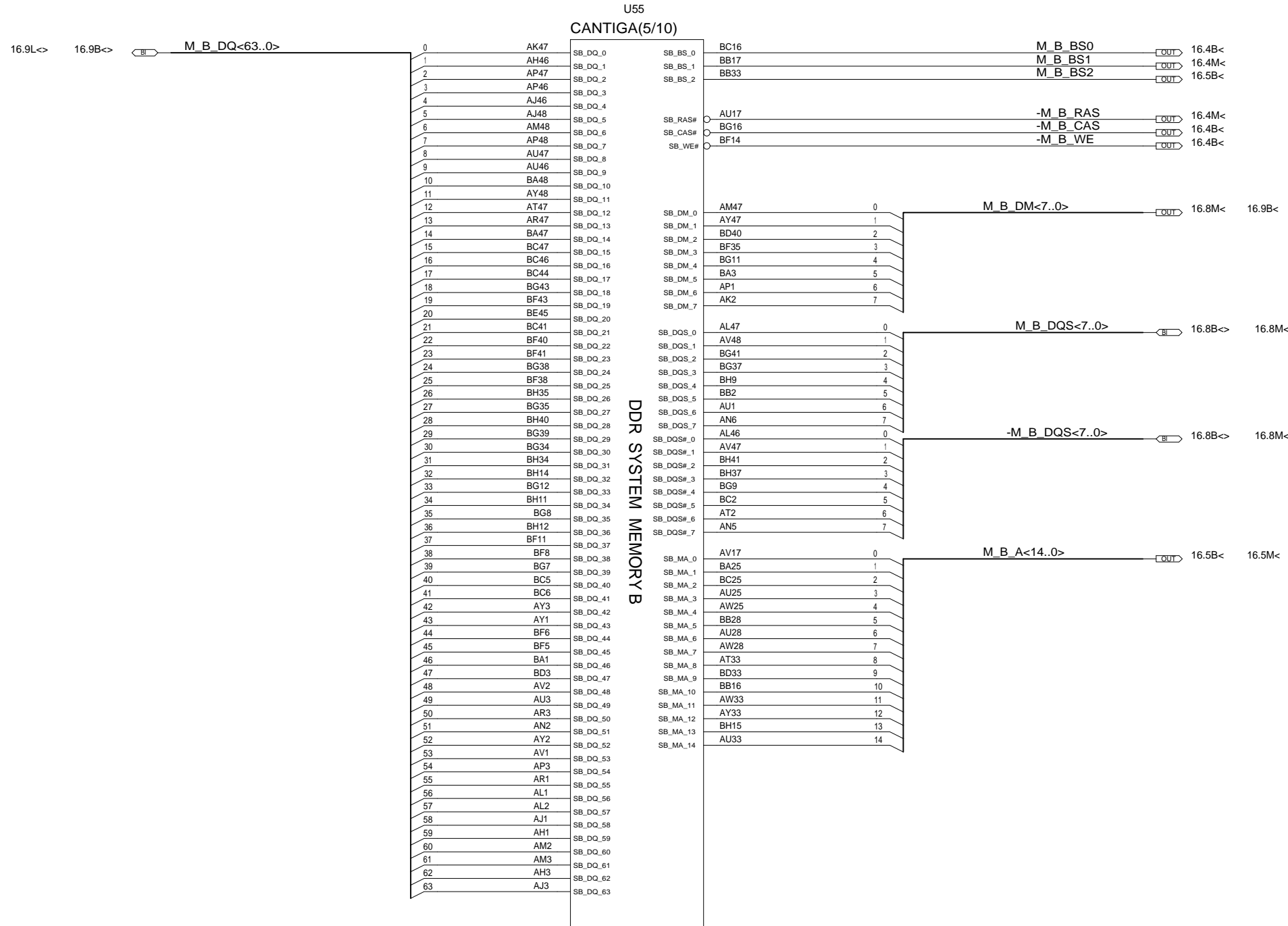
	DATE	EC NO.	PART NO.	
REL			VER.0.11	
			DEVELOPMENT NO.	Q/M
				10 / 101



VER.0.11

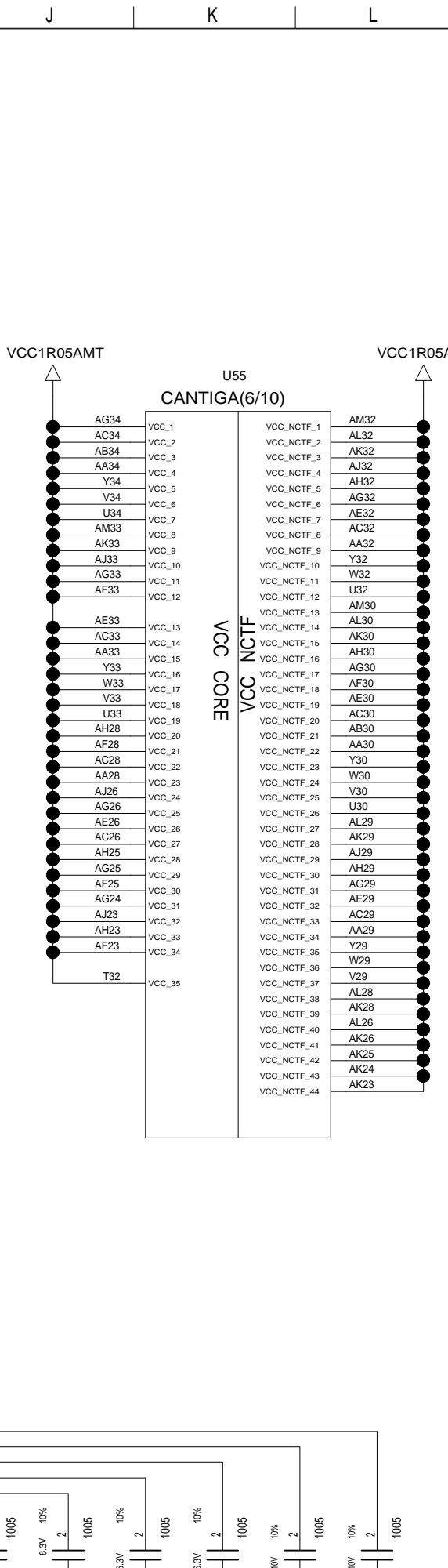
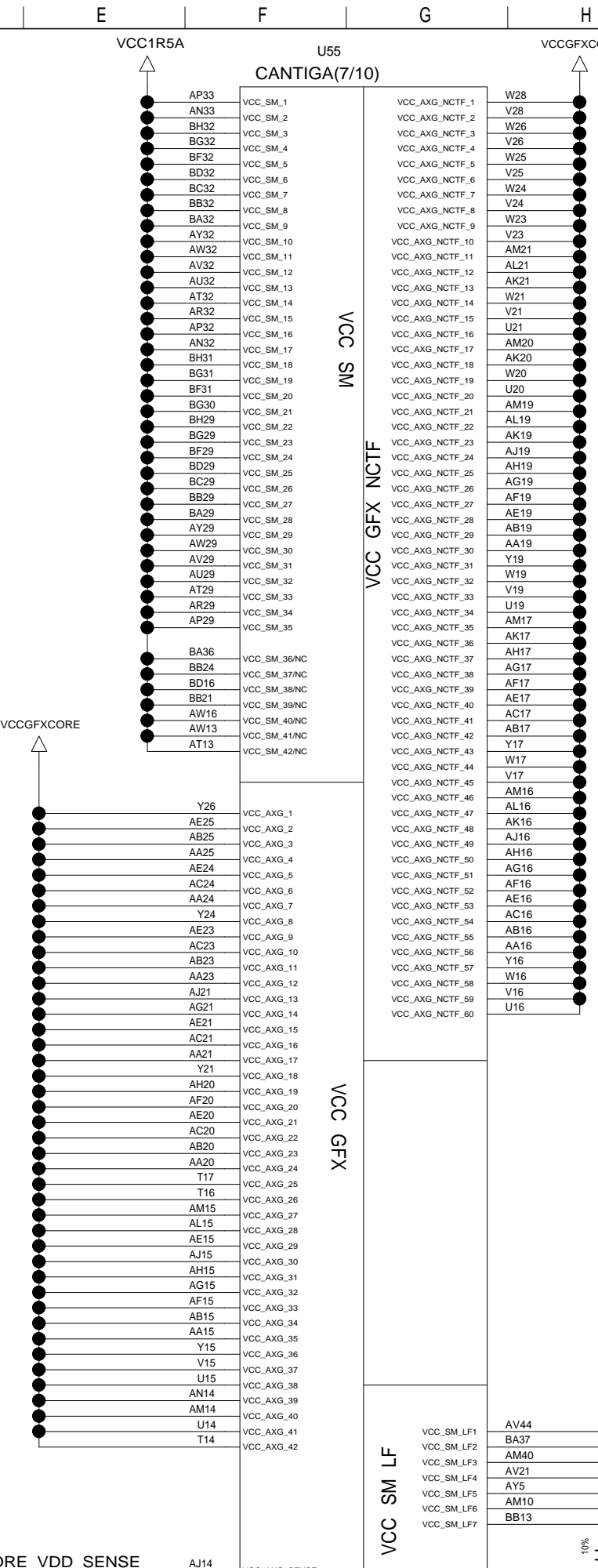
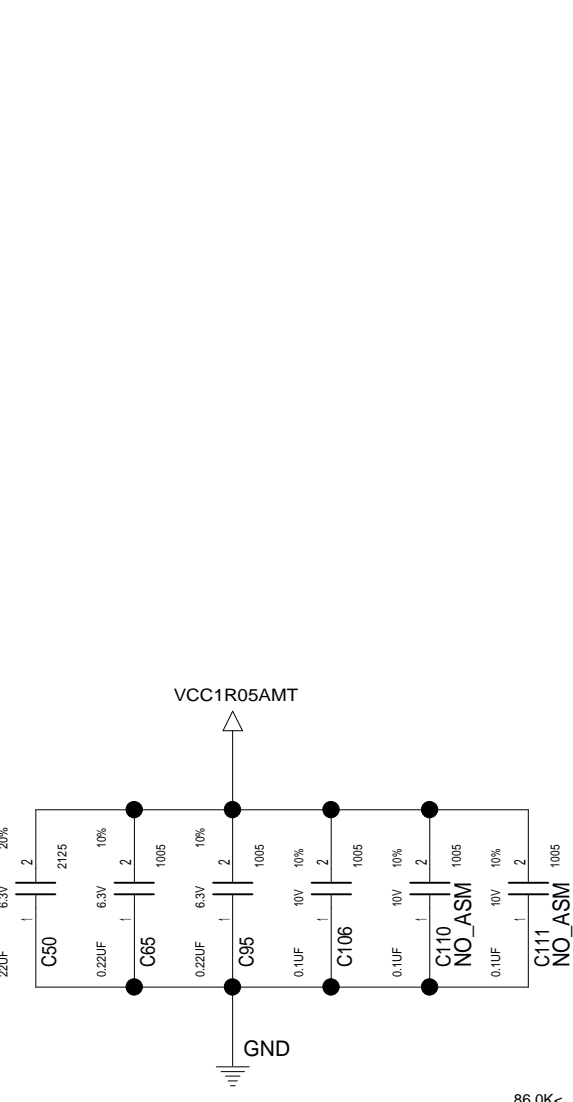
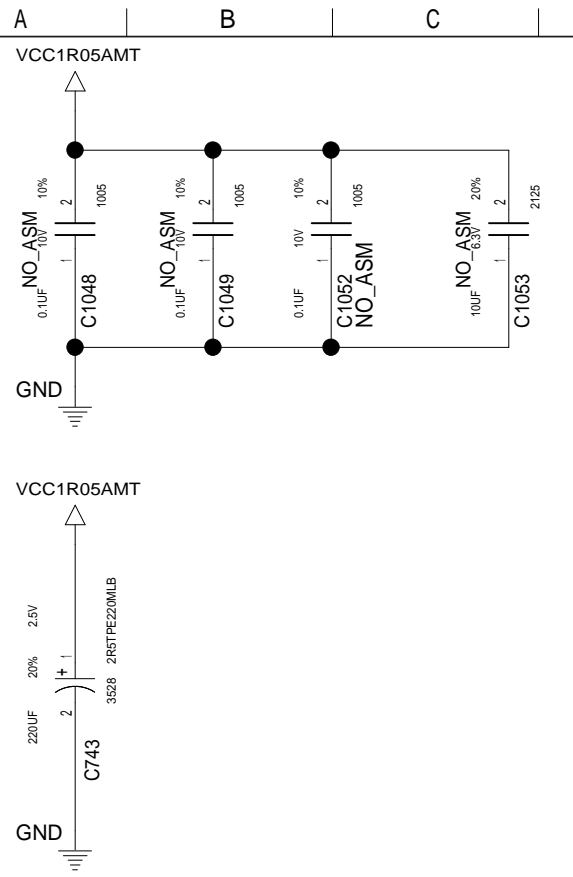
DESIGNER	Y.Y	10/19/07	PART NO.	
CHECKED	Y.I	10/19/07	VER.0.11	
APPROVED	H.K	10/19/07	TITLE MLB-3 INT SDV	
CLASS	H.K	10/19/07	CANTIGA(4/8): DDR3 CHANNEL-A	
THIS DOCUMENT IS THE PROPERTY OF LENOVO. ITS USE IS AUTHORIZED ONLY FOR RESPONDING TO A REQUEST FOR QUOTATION OR FOR THE PERFORMANCE OF WORK FOR LENOVO. ALL QUESTIONS MUST BE REFERRED TO THE LENOVO PURCHASING DEPARTMENT.			LENOVO CONFIDENTIAL	

REL	DATE	EC NO.	PART NO.	
			VER.0.11	
			DEVELOPMENT NO.	Q/M
				11 / 101

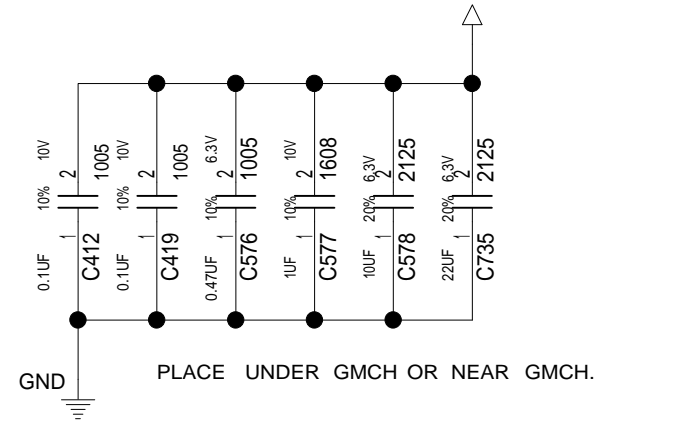
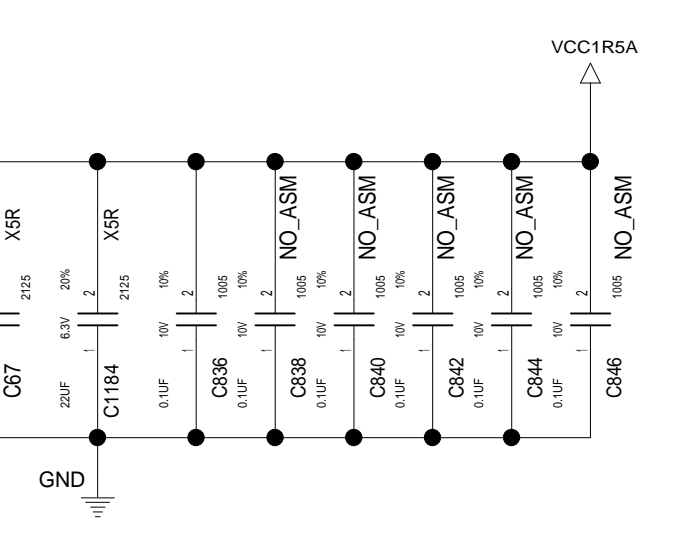


VER.0.11

DESIGNER	Y.Y	10/19/07	PART NO.	
CHECKED	Y.I	10/19/07	VER.0.11	
APPROVED	H.K	10/19/07	TITLE MLB-3 INT SDV	
CLASS	H.K	10/19/07	CANTIGA(5/8): DDR3 CHANNEL-B	
THIS DOCUMENT IS THE PROPERTY OF LENOVO. ITS USE IS AUTHORIZED ONLY FOR RESPONDING TO A REQUEST FOR QUOTATION OR FOR THE PERFORMANCE OF WORK FOR LENOVO. ALL QUESTIONS MUST BE REFERRED TO THE LENOVO PURCHASING DEPARTMENT.			LENOVO CONFIDENTIAL	

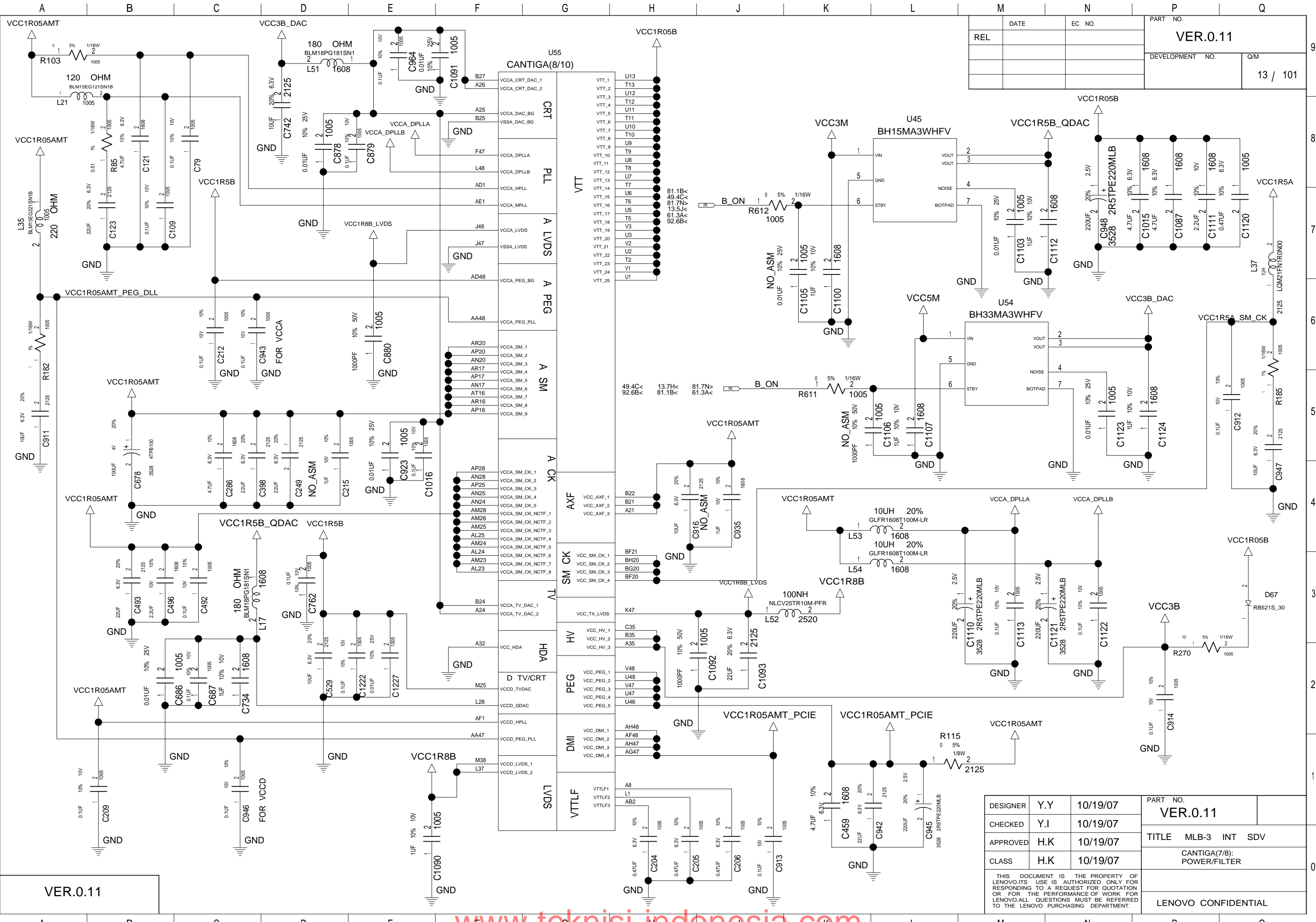


REL	DATE	EC NO.	PART NO.
			VER.0.11
			DEVELOPMENT NO.
			Q/M
			12 / 101



DESIGNER	Y.Y	10/19/07	PART NO.
CHECKED	Y.I	10/19/07	VER.0.11
APPROVED	H.K	10/19/07	TITLE
CLASS	H.K	10/19/07	CANTIGA(6/8):POWER
THIS DOCUMENT IS THE PROPERTY OF LENOVO. ITS USE IS AUTHORIZED ONLY FOR RESPONDING TO A REQUEST FOR QUOTATION OR FOR THE PERFORMANCE OF WORK FOR LENOVO. ALL QUESTIONS MUST BE REFERRED TO THE LENOVO PURCHASING DEPARTMENT.			LENOVO CONFIDENTIAL

VER.0.11



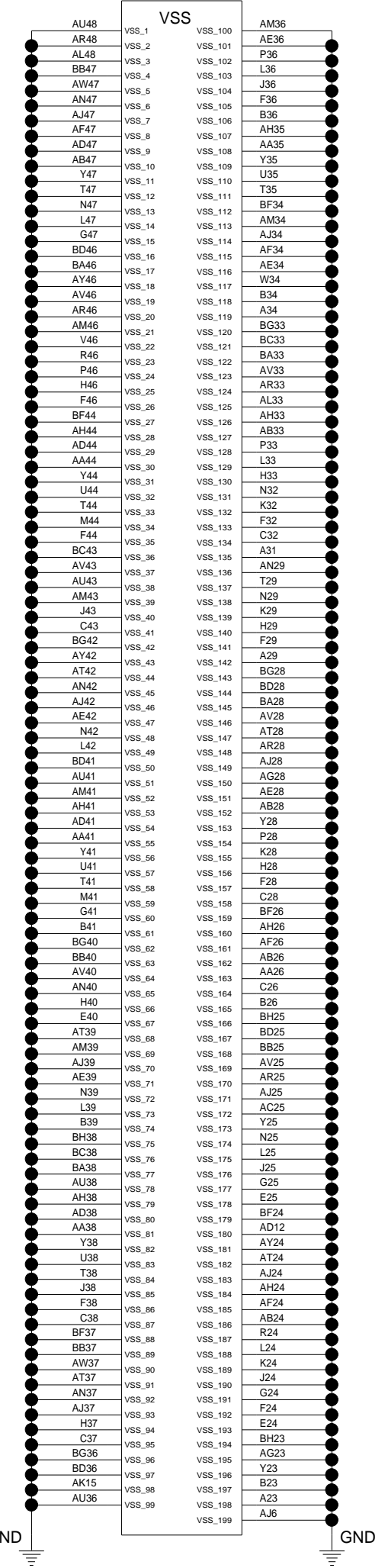
REL	DATE	EC NO.	PART NO.
			VER.0.11
			DEVELOPMENT NO.
			Q/M
			13 / 101

VER.0.11

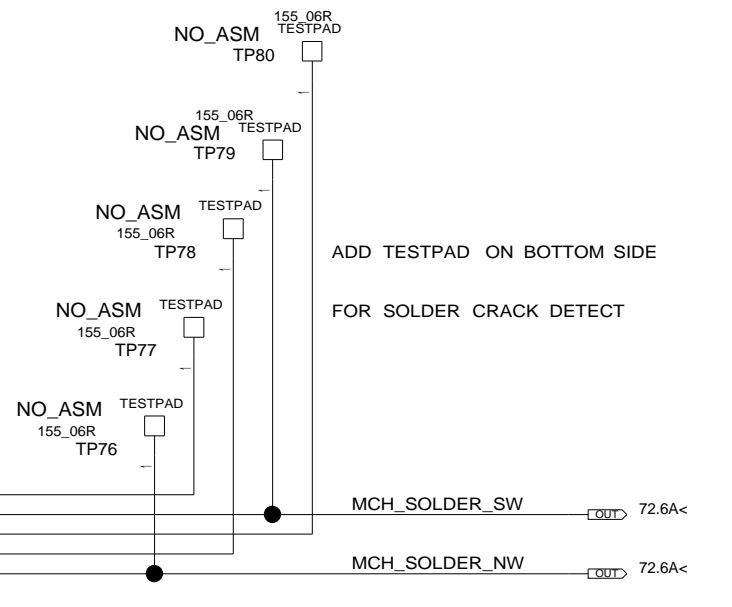
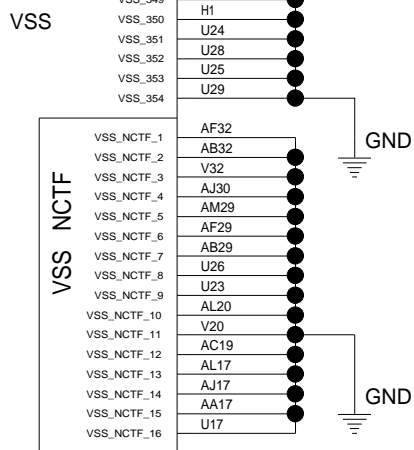
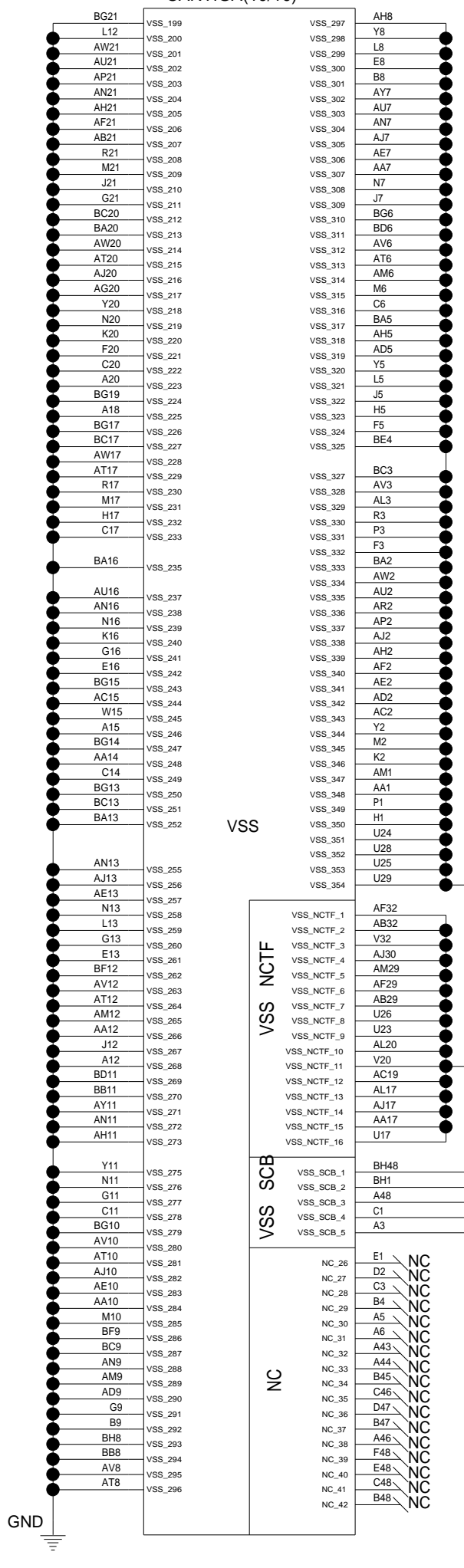
DESIGNER	Y.Y	10/19/07	PART NO.
CHECKED	Y.I	10/19/07	VER.0.11
APPROVED	H.K	10/19/07	TITLE
CLASS	H.K	10/19/07	MLB-3 INT SDV
			CANTIGA(7/8): POWER/FILTER
			LENOVO CONFIDENTIAL

REL	DATE	EC NO.	PART NO.	
			VER.0.11	
			DEVELOPMENT NO.	Q/M
				14 / 101

U55 CANTIGA(9/10)



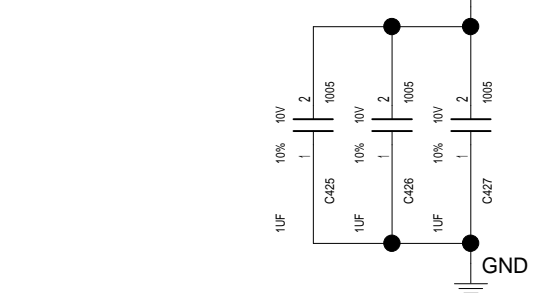
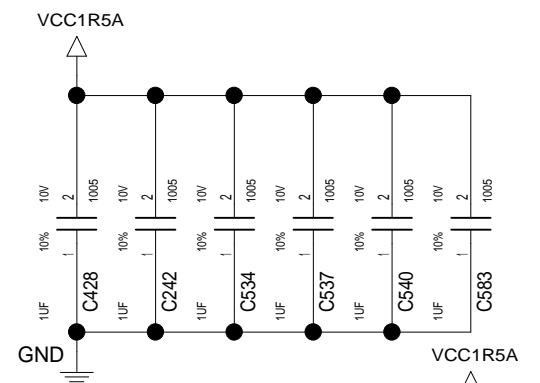
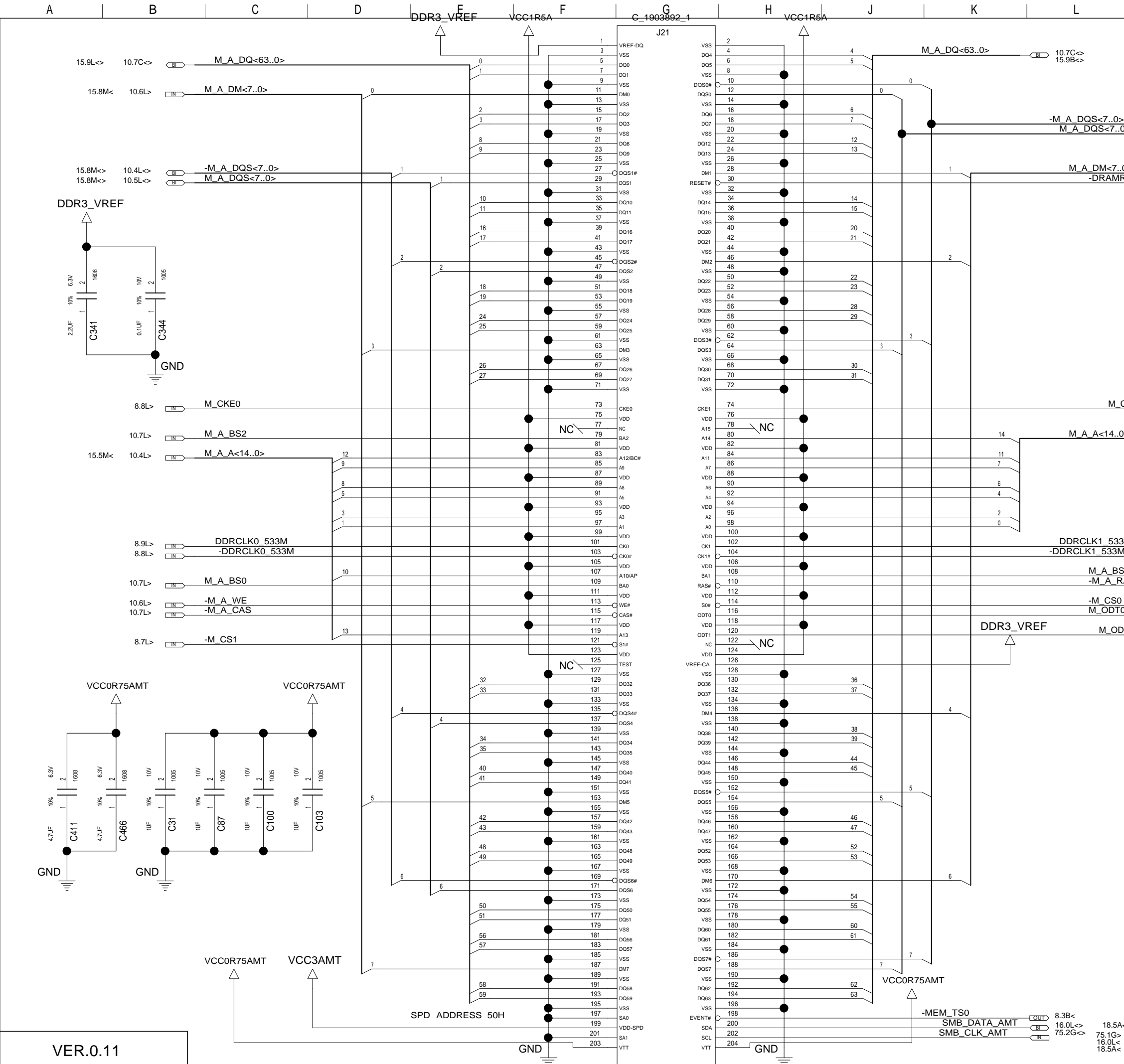
U55 CANTIGA(10/10)



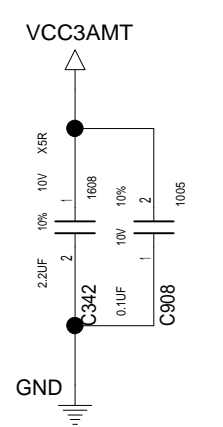
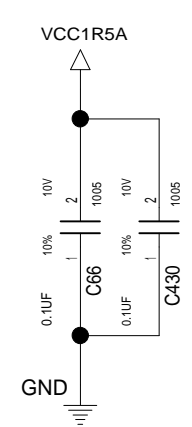
VER.0.11

DESIGNER	Y.Y	10/19/07	PART NO.	
CHECKED	Y.I	10/19/07	VER.0.11	
APPROVED	H.K	10/19/07	TITLE MLB-3 INT SDV	
CLASS	H.K	10/19/07	CANTIGA(8/8):GND	
THIS DOCUMENT IS THE PROPERTY OF LENOVO.ITS USE IS AUTHORIZED ONLY FOR RESPONDING TO A REQUEST FOR QUOTATION OR FOR THE PERFORMANCE OF WORK FOR LENOVO.ALL QUESTIONS MUST BE REFERRED TO THE LENOVO PURCHASING DEPARTMENT.				
LENOVO CONFIDENTIAL				

REL	DATE	EC NO.	PART NO.	
			VER.0.11	
			DEVELOPMENT NO.	Q/M
				15 / 101



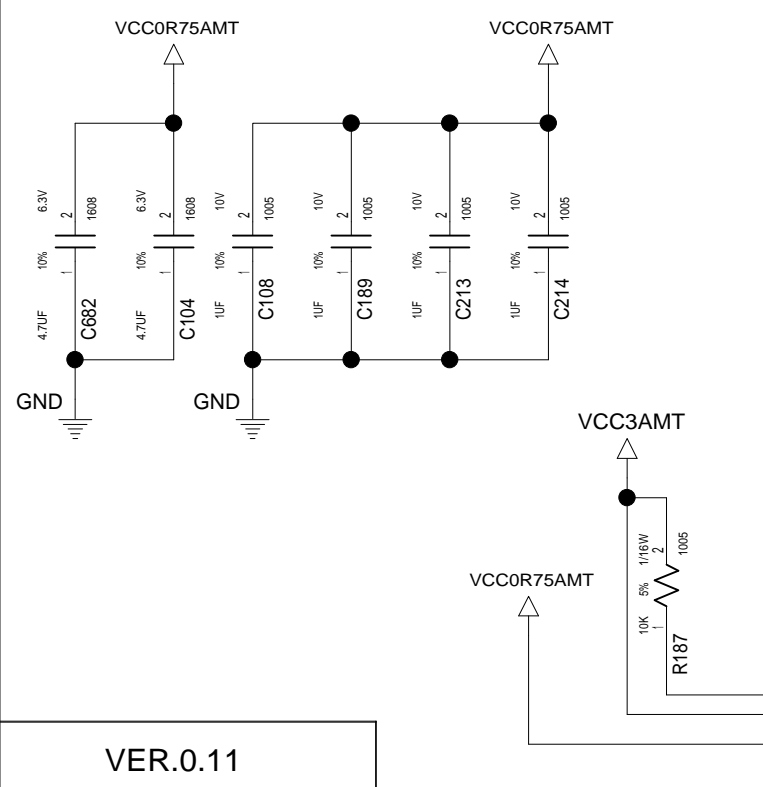
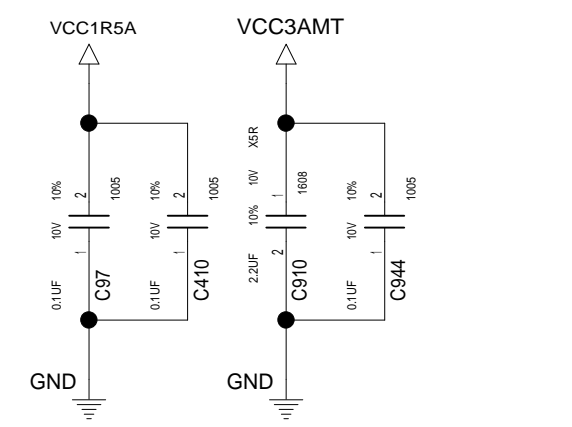
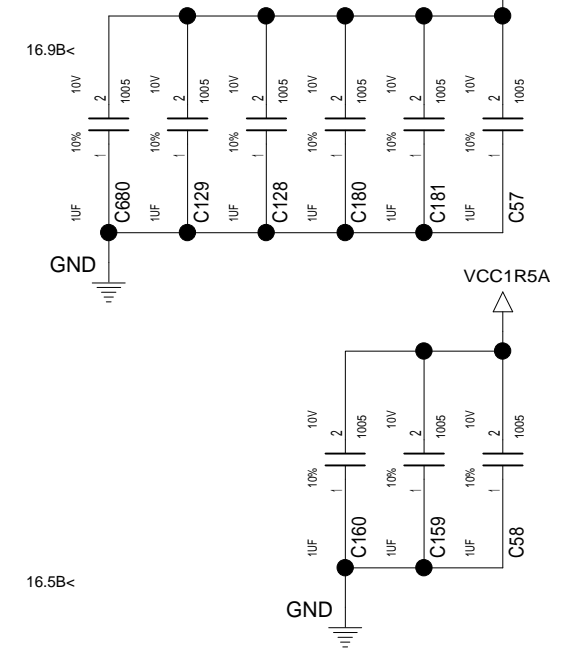
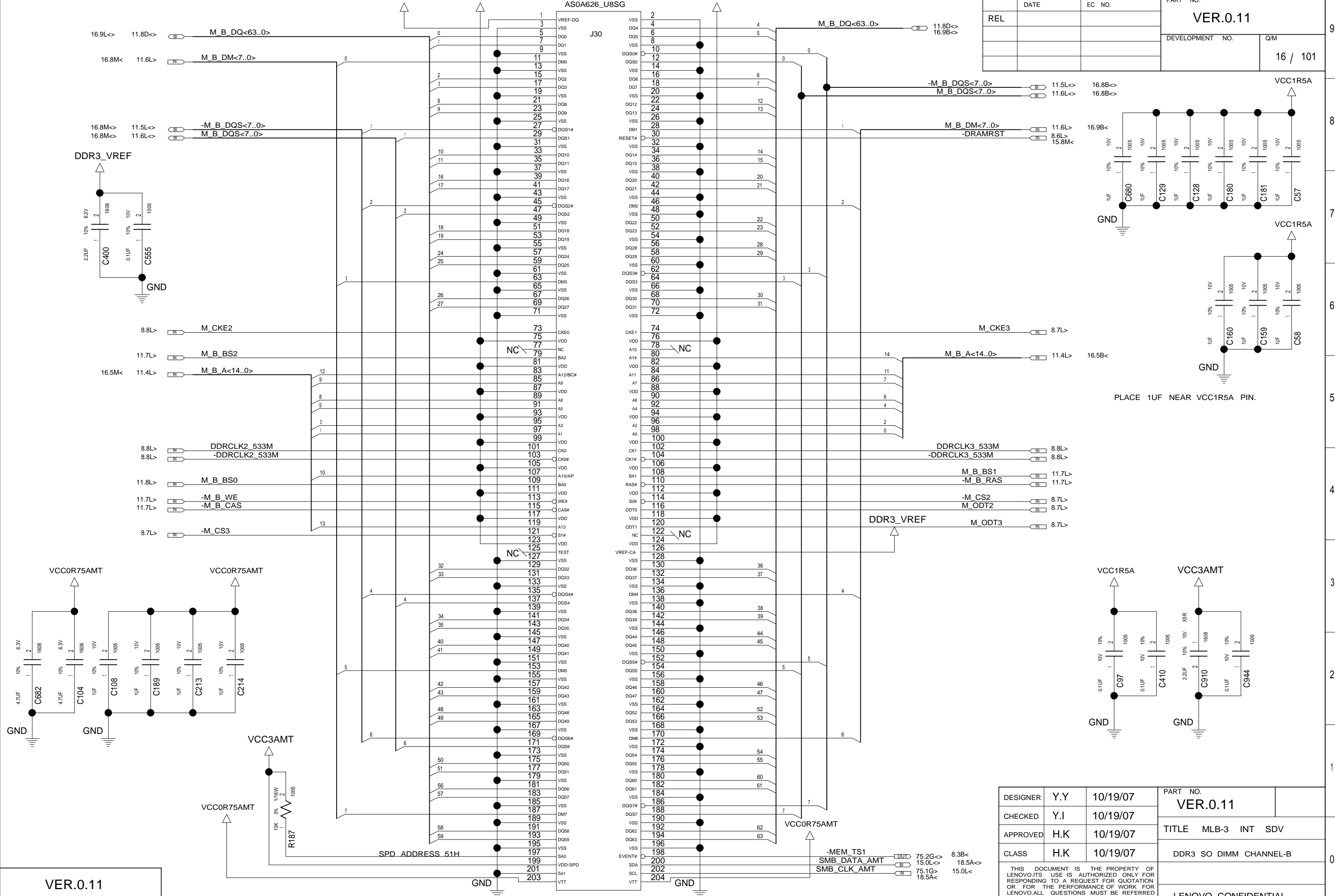
PLACE 1UF NEAR VCC1R5A PIN.



DESIGNER	Y.Y	10/19/07	PART NO.	
CHECKED	Y.I	10/19/07	VER.0.11	
APPROVED	H.K	10/19/07	TITLE MLB-3 INT SDV	
CLASS	H.K	10/19/07	DDR3 SO DIMM CHANNEL-A	
THIS DOCUMENT IS THE PROPERTY OF LENOVO. ITS USE IS AUTHORIZED ONLY FOR RESPONDING TO A REQUEST FOR QUOTATION OR FOR THE PERFORMANCE OF WORK FOR LENOVO. ALL QUESTIONS MUST BE REFERRED TO THE LENOVO PURCHASING DEPARTMENT.			LENOVO CONFIDENTIAL	

VER.0.11

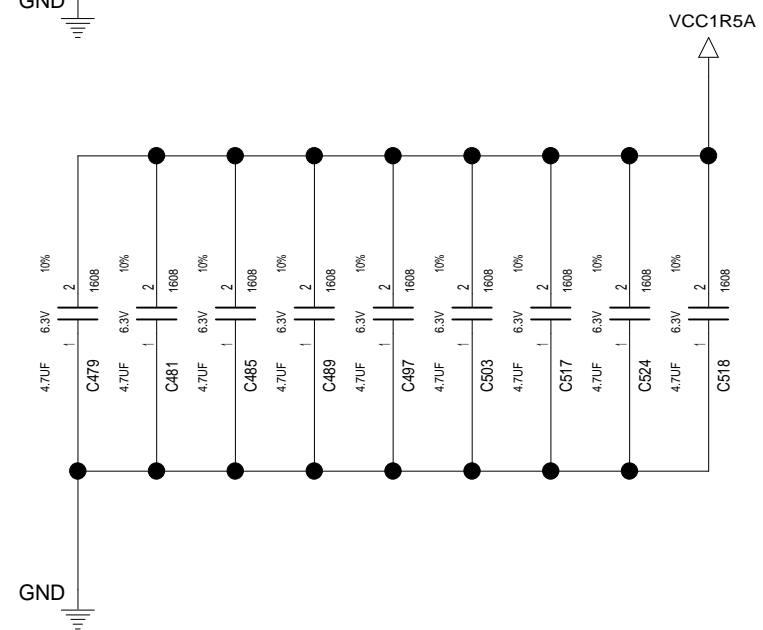
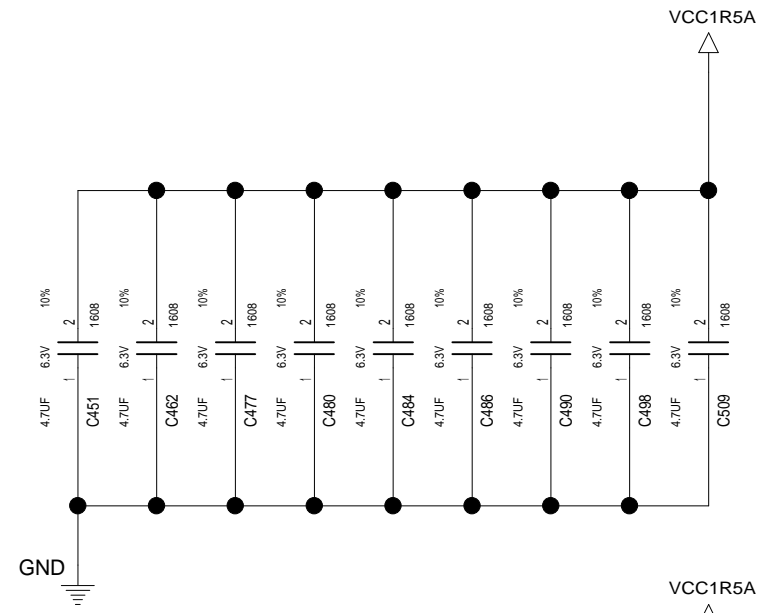
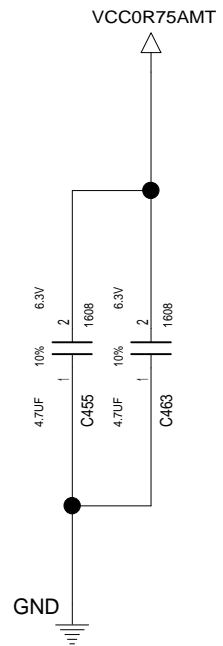
REL	DATE	EC NO.	PART NO.
			VER.0.11
			DEVELOPMENT NO.
			Q/M
			16 / 101



DESIGNER	Y.Y	10/19/07	PART NO.
CHECKED	Y.I	10/19/07	VER.0.11
APPROVED	H.K	10/19/07	TITLE
CLASS	H.K	10/19/07	MLB-3 INT SDV
			DDR3 SO DIMM CHANNEL-B
THIS DOCUMENT IS THE PROPERTY OF LENOVO. ITS USE IS AUTHORIZED ONLY FOR RESPONDING TO A REQUEST FOR QUOTATION OR FOR THE PERFORMANCE OF WORK FOR LENOVO. ALL QUESTIONS MUST BE REFERRED TO THE LENOVO PURCHASING DEPARTMENT.			
LENOVO CONFIDENTIAL			

VER.0.11

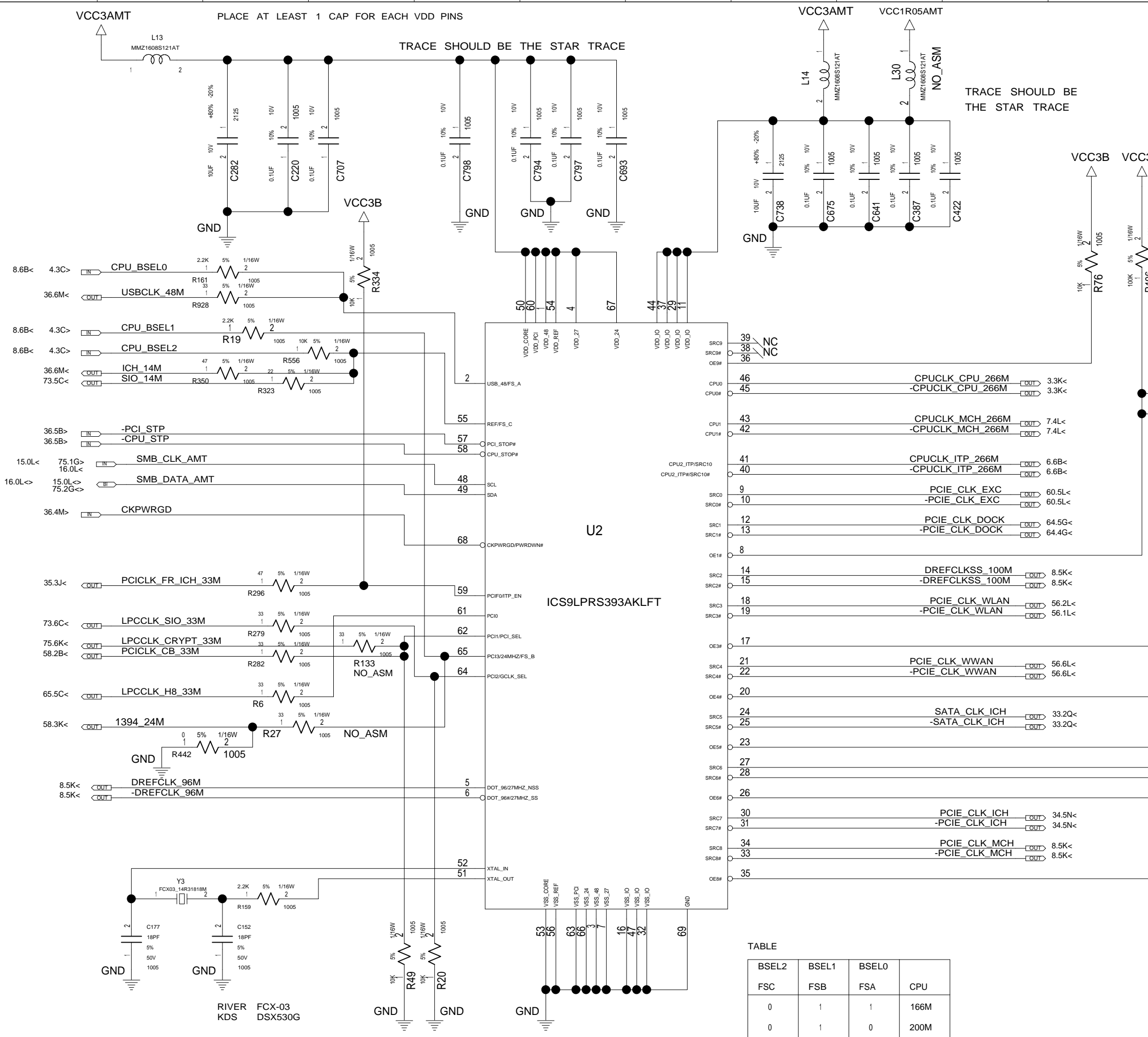
	DATE	EC NO.	PART NO.	
REL			VER.0.11	
			DEVELOPMENT NO.	Q/M
				17 / 101



VER.0.11

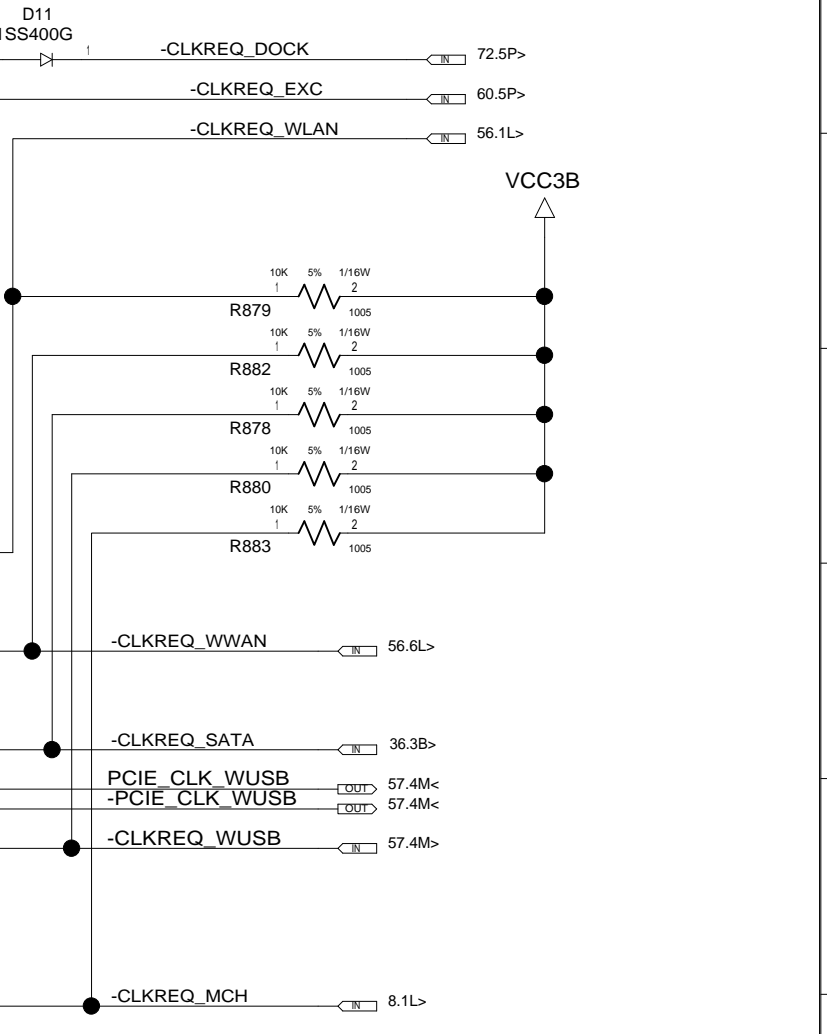
DESIGNER	Y.Y	10/19/07	PART NO.	
CHECKED	Y.I	10/19/07	VER.0.11	
APPROVED	H.K	10/19/07	TITLE MLB-3 INT SDV	
CLASS	H.K	10/19/07	DDR3 DECOUPLING	
THIS DOCUMENT IS THE PROPERTY OF LENOVO.ITS USE IS AUTHORIZED ONLY FOR RESPONDING TO A REQUEST FOR QUOTATION OR FOR THE PERFORMANCE OF WORK FOR LENOVO.ALL QUESTIONS MUST BE REFERRED TO THE LENOVO PURCHASING DEPARTMENT.			LENOVO CONFIDENTIAL	

REL	DATE	EC NO.	PART NO.
			VER.0.11
			DEVELOPMENT NO.
			Q/M
			18 / 101



TABLE

SRC#	OE#	DEVICE
0		EXPRESS CARD
1	OE#1	DOCK
2		INT GFX
3	OE#3	WLAN
4	OE#4	WWAN
5	OE#5	SATA
6	OE#6	WUSB
7		ICH
8	OE#8	MCH
9	OE#9	RESERVED
10		ITP



TABLE

BSEL2	BSEL1	BSEL0	CPU
FSC	FSB	FSA	CPU
0	1	1	166M
0	1	0	200M
0	0	0	266M
1	0	0	333M

DESIGNER	Y.Y	10/19/07	PART NO.
CHECKED	Y.I	10/19/07	VER.0.11
APPROVED	H.K	10/19/07	TITLE
CLASS	H.K	10/19/07	MLB-3 INT SDV
			CLOCK GEN
THIS DOCUMENT IS THE PROPERTY OF LENOVO. ITS USE IS AUTHORIZED ONLY FOR RESPONDING TO A REQUEST FOR QUOTATION OR FOR THE PERFORMANCE OF WORK FOR LENOVO. ALL QUESTIONS MUST BE REFERRED TO THE LENOVO PURCHASING DEPARTMENT.			LENOVO CONFIDENTIAL

VER.0.11

BLANK

	DATE	EC NO.	PART NO.	
REL			VER.0.11	
			DEVELOPMENT NO.	Q/M
				19 / 101

DESIGNER	Y.Y	10/19/07	PART NO.	
CHECKED	Y.I	10/19/07	VER.0.11	
APPROVED	H.K	10/19/07	TITLE MLB-3 INT SDV	
CLASS	H.K	10/19/07	BLANK	
THIS DOCUMENT IS THE PROPERTY OF LENOVO.ITS USE IS AUTHORIZED ONLY FOR RESPONDING TO A REQUEST FOR QUOTATION OR FOR THE PERFORMANCE OF WORK FOR LENOVO.ALL QUESTIONS MUST BE REFERRED TO THE LENOVO PURCHASING DEPARTMENT.			LENOVO CONFIDENTIAL	

VER.0.11

BLANK

	DATE	EC NO.	PART NO.	
REL			VER.0.11	
			DEVELOPMENT NO.	Q/M
				20 / 101

DESIGNER	Y.Y	10/19/07	PART NO.	
CHECKED	Y.I	10/19/07	VER.0.11	
APPROVED	H.K	10/19/07	TITLE MLB-3 INT SDV	
CLASS	H.K	10/19/07	BLANK	
THIS DOCUMENT IS THE PROPERTY OF LENOVO.ITS USE IS AUTHORIZED ONLY FOR RESPONDING TO A REQUEST FOR QUOTATION OR FOR THE PERFORMANCE OF WORK FOR LENOVO.ALL QUESTIONS MUST BE REFERRED TO THE LENOVO PURCHASING DEPARTMENT.			LENOVO CONFIDENTIAL	

VER.0.11

BLANK

	DATE	EC NO.	PART NO.	
REL			VER.0.11	
			DEVELOPMENT NO.	Q/M
				21 / 101

DESIGNER	Y.Y	10/19/07	PART NO.	
CHECKED	Y.I	10/19/07	VER.0.11	
APPROVED	H.K	10/19/07	TITLE MLB-3 INT SDV	
CLASS	H.K	10/19/07	BLANK	
THIS DOCUMENT IS THE PROPERTY OF LENOVO.ITS USE IS AUTHORIZED ONLY FOR RESPONDING TO A REQUEST FOR QUOTATION OR FOR THE PERFORMANCE OF WORK FOR LENOVO.ALL QUESTIONS MUST BE REFERRED TO THE LENOVO PURCHASING DEPARTMENT.			LENOVO CONFIDENTIAL	

VER.0.11

A B C D E F G H J K L M N P Q

	DATE	EC NO.	PART NO.	
REL			VER.0.11	
			DEVELOPMENT NO.	Q/M
				22 / 101

BLANK

VER.0.11

DESIGNER	Y.Y	10/19/07	PART NO.	
CHECKED	Y.I	10/19/07	VER.0.11	
APPROVED	H.K	10/19/07	TITLE MLB-3 INT SDV	
CLASS	H.K	10/19/07	BLANK	
<small>THIS DOCUMENT IS THE PROPERTY OF LENOVO.ITS USE IS AUTHORIZED ONLY FOR RESPONDING TO A REQUEST FOR QUOTATION OR FOR THE PERFORMANCE OF WORK FOR LENOVO.ALL QUESTIONS MUST BE REFERRED TO THE LENOVO PURCHASING DEPARTMENT.</small>			LENOVO CONFIDENTIAL	

A B C D E F G H J K L M N P Q

BLANK

	DATE	EC NO.	PART NO.	
REL			VER.0.11	
			DEVELOPMENT NO.	Q/M
				23 / 101

DESIGNER	Y.Y	10/19/07	PART NO.	
CHECKED	Y.I	10/19/07	VER.0.11	
APPROVED	H.K	10/19/07	TITLE MLB-3 INT SDV	
CLASS	H.K	10/19/07	BLANK	
THIS DOCUMENT IS THE PROPERTY OF LENOVO.ITS USE IS AUTHORIZED ONLY FOR RESPONDING TO A REQUEST FOR QUOTATION OR FOR THE PERFORMANCE OF WORK FOR LENOVO.ALL QUESTIONS MUST BE REFERRED TO THE LENOVO PURCHASING DEPARTMENT.			LENOVO CONFIDENTIAL	

VER.0.11

A B C D E F G H J K L M N P Q

	DATE	EC NO.	PART NO.	
REL			VER.0.11	
			DEVELOPMENT NO.	Q/M
				24 / 101

BLANK

VER.0.11

DESIGNER	Y.Y	10/19/07	PART NO.	
CHECKED	Y.I	10/19/07	VER.0.11	
APPROVED	H.K	10/19/07	TITLE MLB-3 INT SDV	
CLASS	H.K	10/19/07	BLANK	
<small>THIS DOCUMENT IS THE PROPERTY OF LENOVO.ITS USE IS AUTHORIZED ONLY FOR RESPONDING TO A REQUEST FOR QUOTATION OR FOR THE PERFORMANCE OF WORK FOR LENOVO.ALL QUESTIONS MUST BE REFERRED TO THE LENOVO PURCHASING DEPARTMENT.</small>			LENOVO CONFIDENTIAL	

A B C D E F G H J K L M N P Q

BLANK

	DATE	EC NO.	PART NO.	
REL			VER.0.11	
			DEVELOPMENT NO.	Q/M
				25 / 101

VER.0.11

DESIGNER	Y.Y	10/19/07	PART NO.	
CHECKED	Y.I	10/19/07	VER.0.11	
APPROVED	H.K	10/19/07	TITLE MLB-3 INT SDV	
CLASS	H.K	10/19/07	BLANK	
THIS DOCUMENT IS THE PROPERTY OF LENOVO.ITS USE IS AUTHORIZED ONLY FOR RESPONDING TO A REQUEST FOR QUOTATION OR FOR THE PERFORMANCE OF WORK FOR LENOVO.ALL QUESTIONS MUST BE REFERRED TO THE LENOVO PURCHASING DEPARTMENT.			LENOVO CONFIDENTIAL	

A B C D E F G H J K L M N P Q

	DATE	EC NO.	PART NO.	
REL			VER.0.11	
			DEVELOPMENT NO.	Q/M
				26 / 101

BLANK

VER.0.11

DESIGNER	Y.Y	10/19/07	PART NO.	
CHECKED	Y.I	10/19/07	VER.0.11	
APPROVED	H.K	10/19/07	TITLE MLB-3 INT SDV	
CLASS	H.K	10/19/07	BLANK	
<small>THIS DOCUMENT IS THE PROPERTY OF LENOVO.ITS USE IS AUTHORIZED ONLY FOR RESPONDING TO A REQUEST FOR QUOTATION OR FOR THE PERFORMANCE OF WORK FOR LENOVO.ALL QUESTIONS MUST BE REFERRED TO THE LENOVO PURCHASING DEPARTMENT.</small>			LENOVO CONFIDENTIAL	

A B C D E F G H J K L M N P Q

A B C D E F G H J K L M N P Q

	DATE	EC NO.	PART NO.	
REL			VER.0.11	
			DEVELOPMENT NO.	Q/M
				27 / 101

BLANK

VER.0.11

DESIGNER	Y.Y	10/19/07	PART NO.	
CHECKED	Y.I	10/19/07	VER.0.11	
APPROVED	H.K	10/19/07	TITLE MLB-3 INT SDV	
CLASS	H.K	10/19/07	BLANK	
<small>THIS DOCUMENT IS THE PROPERTY OF LENOVO.ITS USE IS AUTHORIZED ONLY FOR RESPONDING TO A REQUEST FOR QUOTATION OR FOR THE PERFORMANCE OF WORK FOR LENOVO.ALL QUESTIONS MUST BE REFERRED TO THE LENOVO PURCHASING DEPARTMENT.</small>			LENOVO CONFIDENTIAL	

A B C D E F G H J K L M N P Q

A B C D E F G H J K L M N P Q

	DATE	EC NO.	PART NO.	
REL			VER.0.11	
			DEVELOPMENT NO.	Q/M
				28 / 101

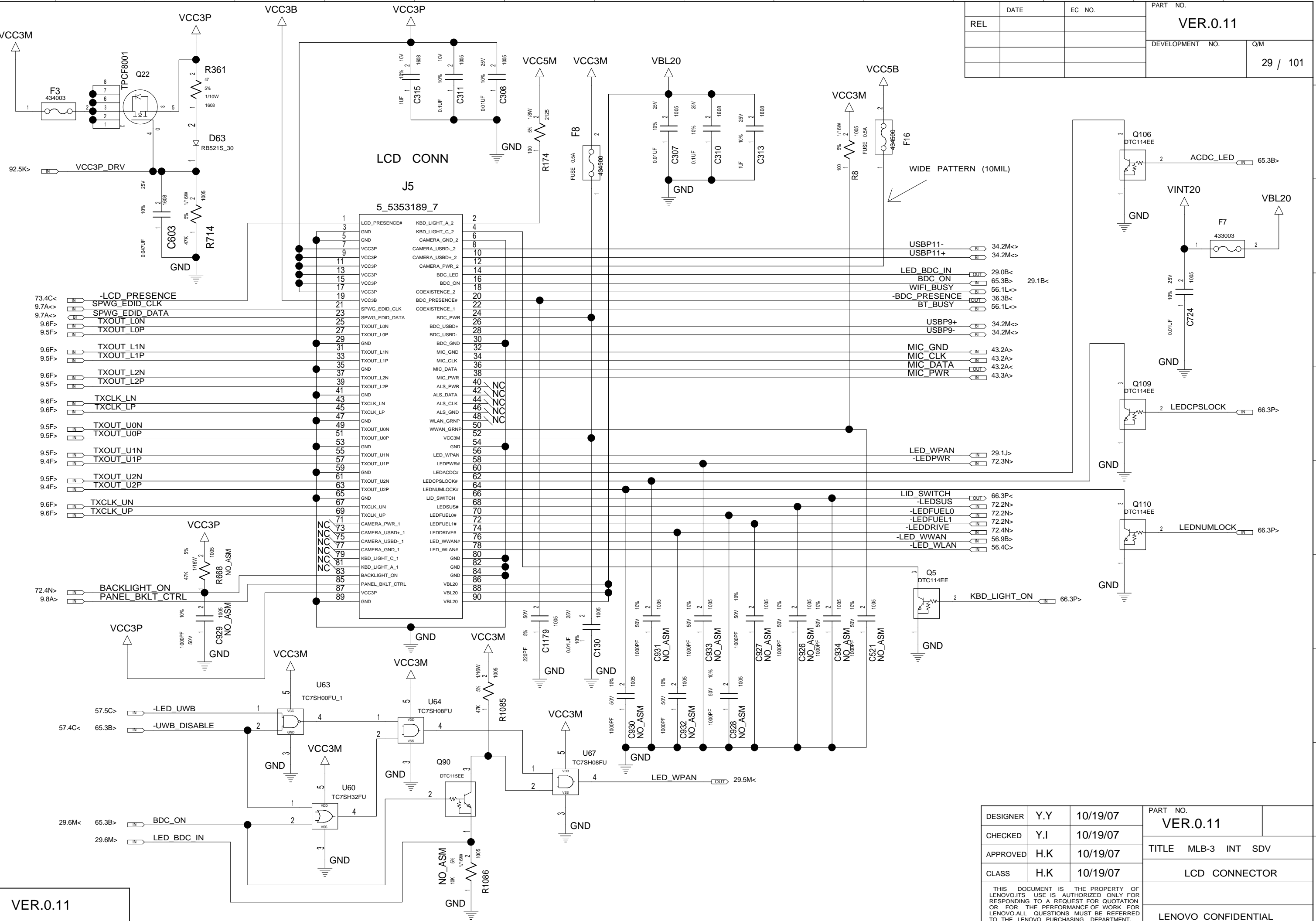
BLANK

VER.0.11

DESIGNER	Y.Y	10/19/07	PART NO.	
CHECKED	Y.I	10/19/07	VER.0.11	
APPROVED	H.K	10/19/07	TITLE MLB-3 INT SDV	
CLASS	H.K	10/19/07	BLANK	
<small>THIS DOCUMENT IS THE PROPERTY OF LENOVO.ITS USE IS AUTHORIZED ONLY FOR RESPONDING TO A REQUEST FOR QUOTATION OR FOR THE PERFORMANCE OF WORK FOR LENOVO.ALL QUESTIONS MUST BE REFERRED TO THE LENOVO PURCHASING DEPARTMENT.</small>			LENOVO CONFIDENTIAL	

A B C D E F G H J K L M N P Q

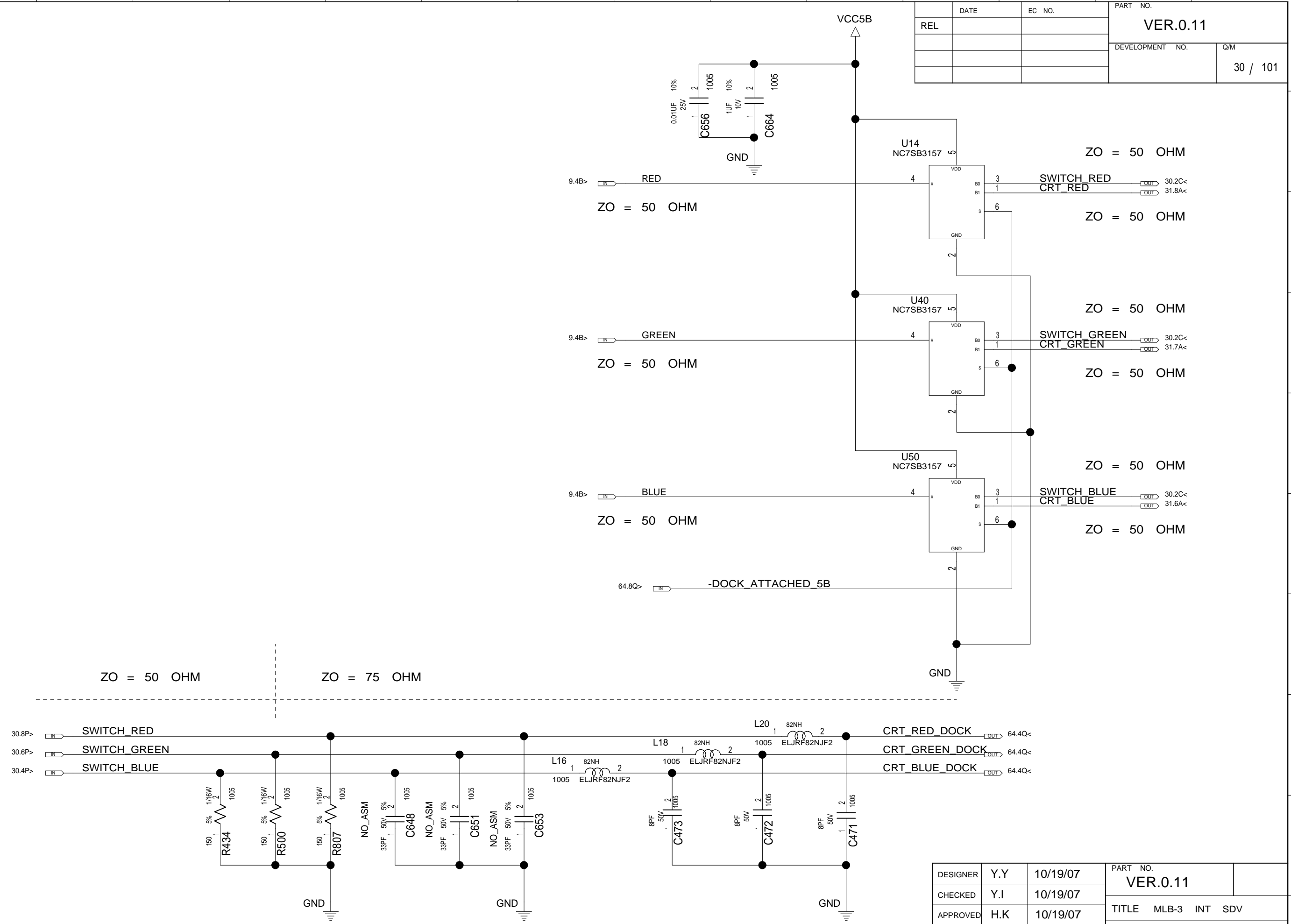
REL	DATE	EC NO.	PART NO.
			VER.0.11
			DEVELOPMENT NO.
			Q/M
			29 / 101



VER.0.11

DESIGNER	Y.Y	10/19/07	PART NO.
CHECKED	Y.I	10/19/07	VER.0.11
APPROVED	H.K	10/19/07	TITLE
CLASS	H.K	10/19/07	MLB-3 INT SDV
			LCD CONNECTOR
THIS DOCUMENT IS THE PROPERTY OF LENOVO. ITS USE IS AUTHORIZED ONLY FOR RESPONDING TO A REQUEST FOR QUOTATION OR FOR THE PERFORMANCE OF WORK FOR LENOVO. ALL QUESTIONS MUST BE REFERRED TO THE LENOVO PURCHASING DEPARTMENT.			LENOVO CONFIDENTIAL

REL	DATE	EC NO.	PART NO.
			VER.0.11
			DEVELOPMENT NO.
			Q/M
			30 / 101

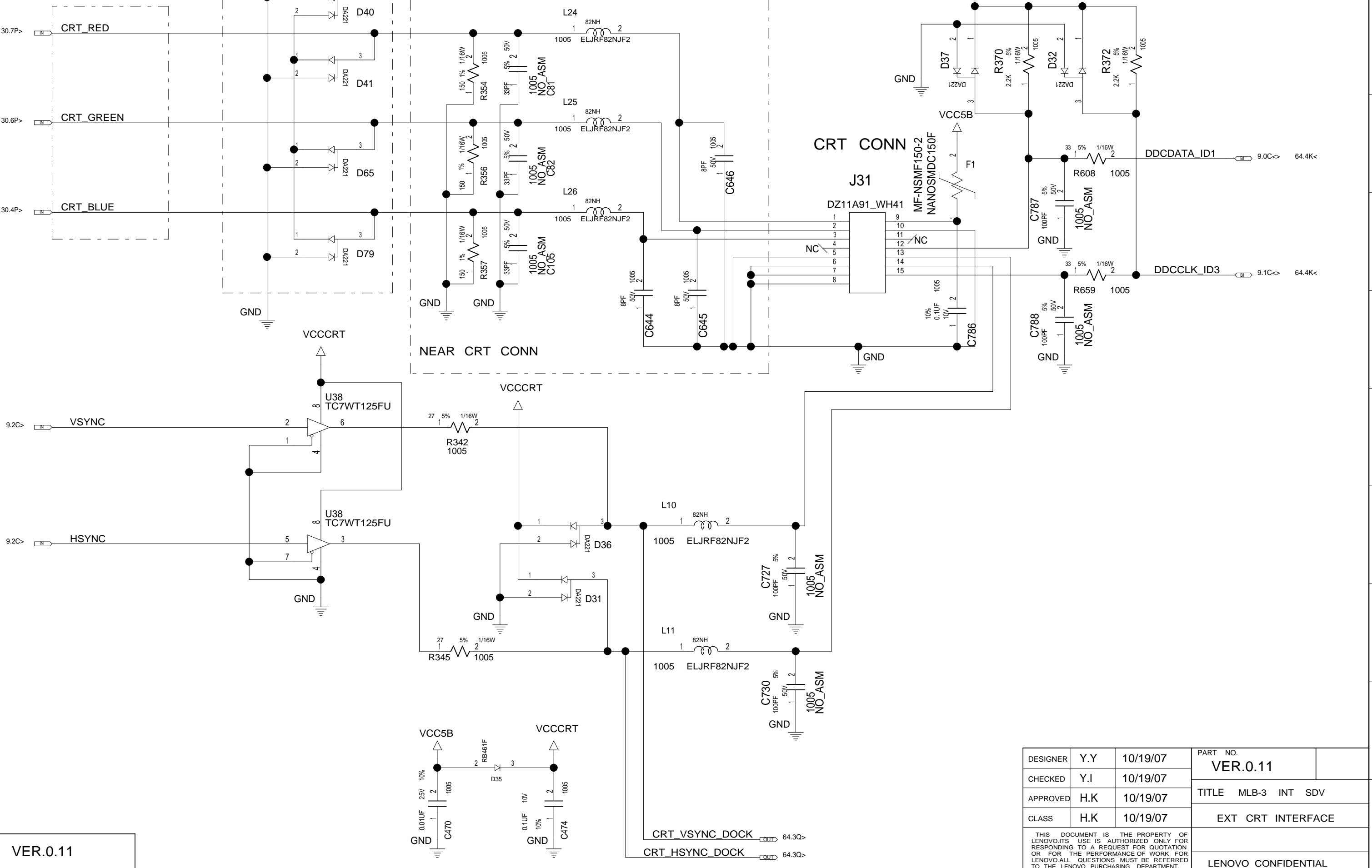


VER.0.11

DESIGNER	Y.Y	10/19/07	PART NO.
CHECKED	Y.I	10/19/07	VER.0.11
APPROVED	H.K	10/19/07	TITLE MLB-3 INT SDV
CLASS	H.K	10/19/07	RGB SWITCH
<small>THIS DOCUMENT IS THE PROPERTY OF LENOVO. ITS USE IS AUTHORIZED ONLY FOR RESPONDING TO A REQUEST FOR QUOTATION OR FOR THE PERFORMANCE OF WORK FOR LENOVO. ALL QUESTIONS MUST BE REFERRED TO THE LENOVO PURCHASING DEPARTMENT.</small>			LENOVO CONFIDENTIAL

REL	DATE	EC NO.	PART NO.
			VER.0.11
			DEVELOPMENT NO.
			Q/M
			31 / 101

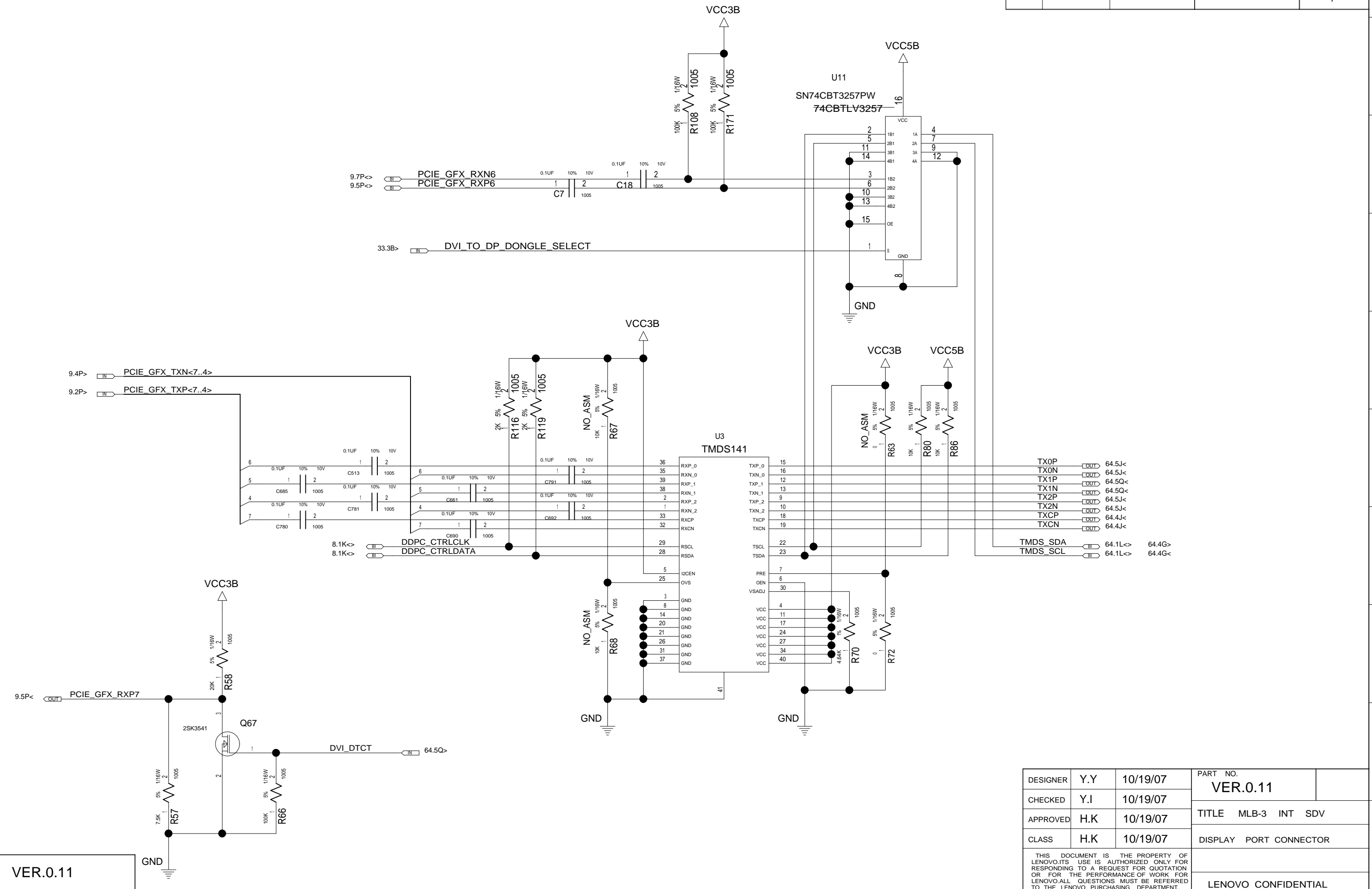
GND GUARDING
EACH SIGNAL WIDTH=4MIL,
SPACING=8MIL



VER.0.11

DESIGNER	Y.Y	10/19/07	PART NO.
CHECKED	Y.I	10/19/07	VER.0.11
APPROVED	H.K	10/19/07	TITLE MLB-3 INT SDV
CLASS	H.K	10/19/07	EXT CRT INTERFACE
THIS DOCUMENT IS THE PROPERTY OF LENOVO. ITS USE IS AUTHORIZED ONLY FOR RESPONDING TO A REQUEST FOR QUOTATION OR FOR THE PERFORMANCE OF WORK FOR LENOVO. ALL QUESTIONS MUST BE REFERRED TO THE LENOVO PURCHASING DEPARTMENT.			LENOVO CONFIDENTIAL

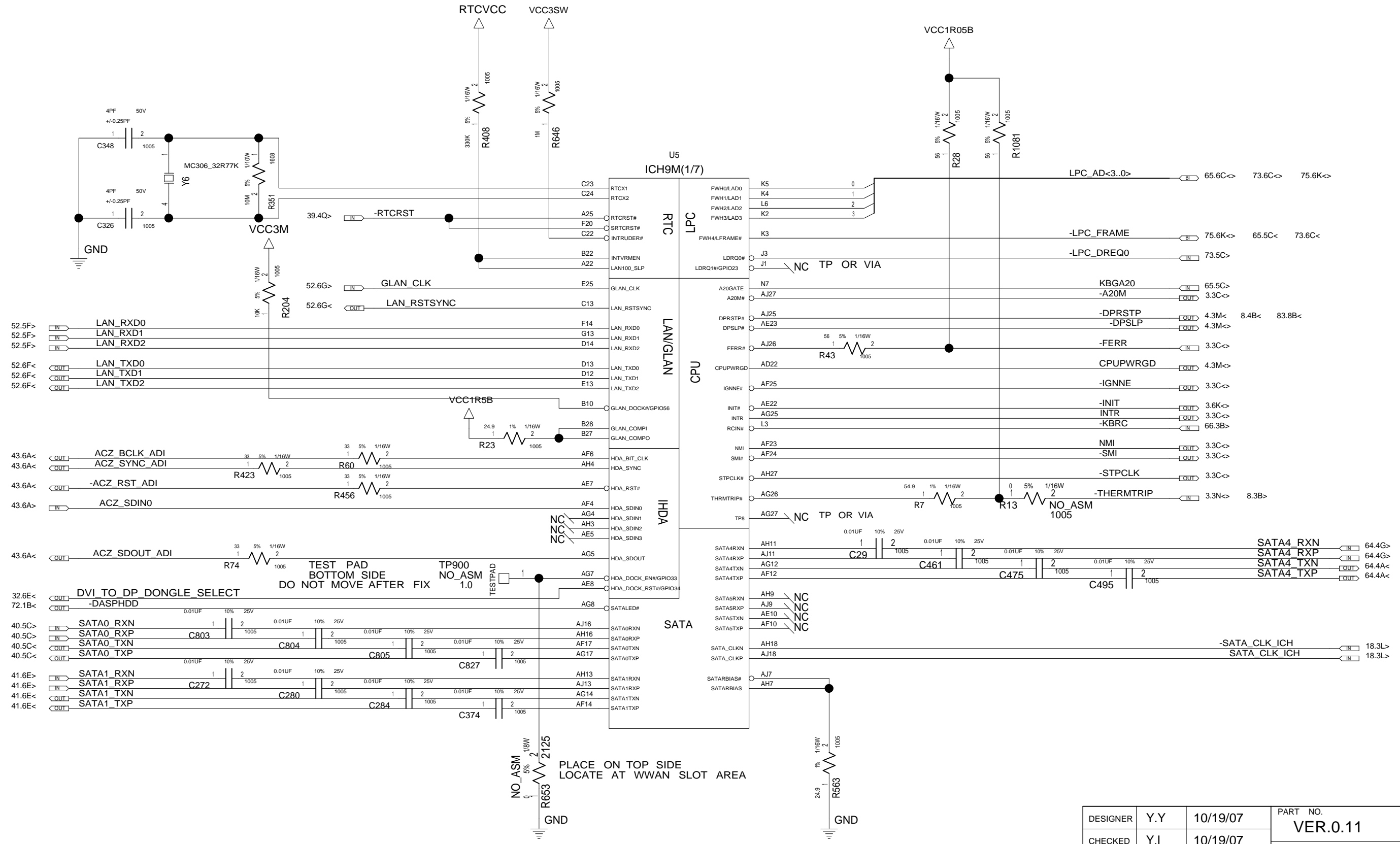
	DATE	EC NO.	PART NO.	
REL			VER.0.11	
			DEVELOPMENT NO.	Q/M
				32 / 101



VER.0.11

DESIGNER	Y.Y	10/19/07	PART NO.	
CHECKED	Y.I	10/19/07	VER.0.11	
APPROVED	H.K	10/19/07	TITLE MLB-3 INT SDV	
CLASS	H.K	10/19/07	DISPLAY PORT CONNECTOR	
THIS DOCUMENT IS THE PROPERTY OF LENOVO. ITS USE IS AUTHORIZED ONLY FOR RESPONDING TO A REQUEST FOR QUOTATION OR FOR THE PERFORMANCE OF WORK FOR LENOVO. ALL QUESTIONS MUST BE REFERRED TO THE LENOVO PURCHASING DEPARTMENT.			LENOVO CONFIDENTIAL	

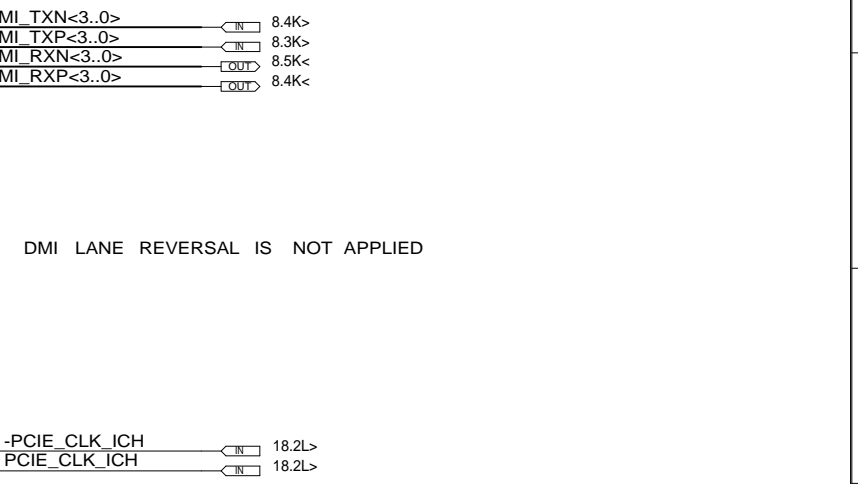
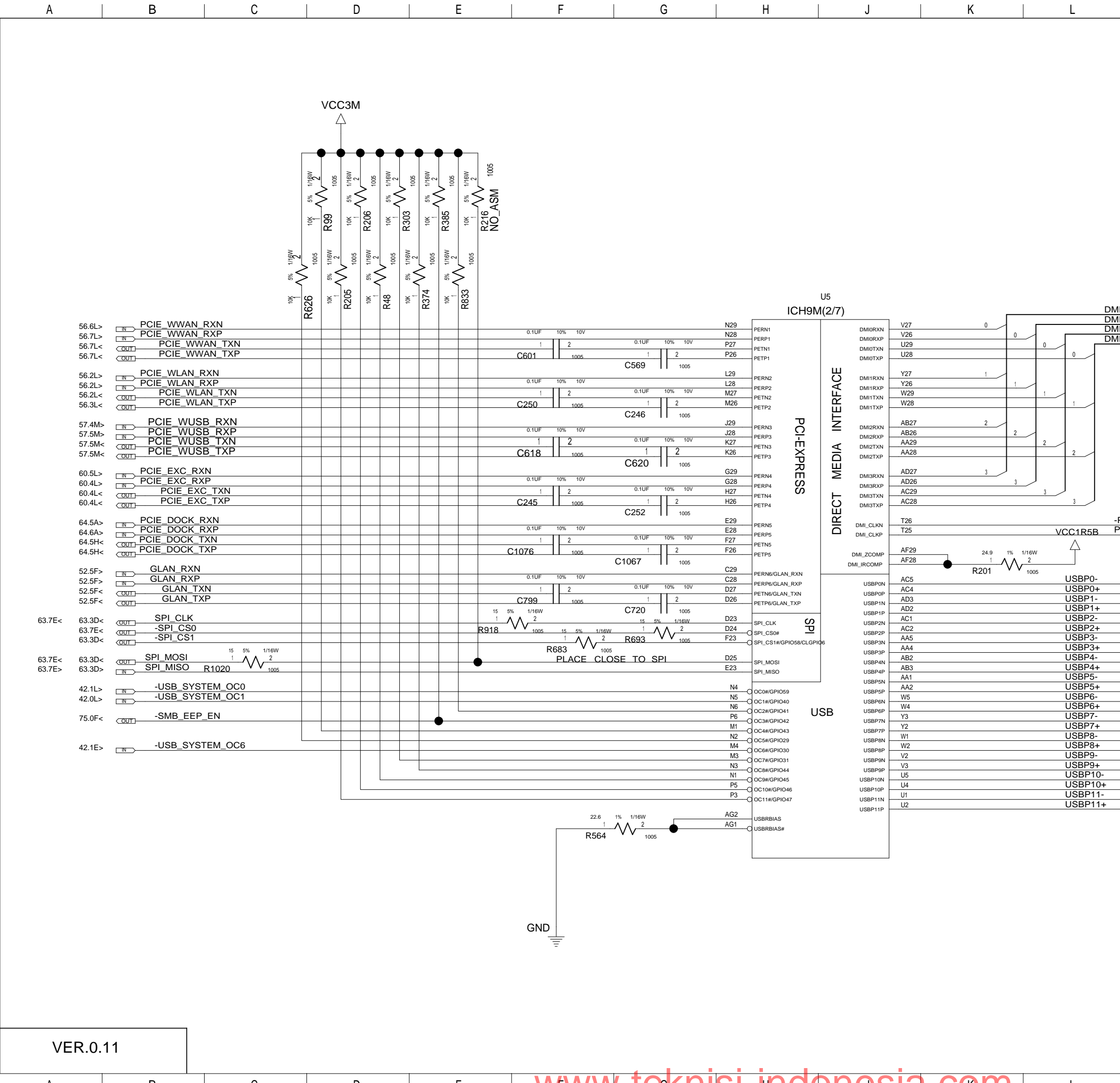
	DATE	EC NO.	PART NO.	
REL			VER.0.11	
			DEVELOPMENT NO.	Q/M
				33 / 101



VER.0.11

DESIGNER	Y.Y	10/19/07	PART NO.	
CHECKED	Y.I	10/19/07	VER.0.11	
APPROVED	H.K	10/19/07	TITLE MLB-3 INT SDV	
CLASS	H.K	10/19/07	ICH9-M(1/6): SATA/HDA/GLAN/LPC	
THIS DOCUMENT IS THE PROPERTY OF LENOVO. ITS USE IS AUTHORIZED ONLY FOR RESPONDING TO A REQUEST FOR QUOTATION OR FOR THE PERFORMANCE OF WORK FOR LENOVO. ALL QUESTIONS MUST BE REFERRED TO THE LENOVO PURCHASING DEPARTMENT.			LENOVO CONFIDENTIAL	

REL	DATE	EC NO.	PART NO.	
			VER.0.11	
			DEVELOPMENT NO.	Q/M
				34 / 101



USB PORT	TO
0	SYSTEM PORT 1
1	SYSTEM PORT 2
2	MINICARD SLOT (WLAN)
3	MINICARD SLOT (WWAN)
4	MICROCARD SLOT (WUSB)
5	SMART CARD (CAGE)
6	SYSTEM PORT 3
7	EXPRESS CARD (CAGE)
8	FPR (TOUCHPAD CONN)
9	BLUETOOTH (LCD CONN)
10	DOCKING
11	USB CAMERA (LCD CONN)

DESIGNER	Y.Y	10/19/07	PART NO.	
CHECKED	Y.I	10/19/07	VER.0.11	
APPROVED	H.K	10/19/07	TITLE MLB-3 INT SDV	
CLASS	H.K	10/19/07	ICH9-M(2/6): DMI/PCIE/USB/SPI	
THIS DOCUMENT IS THE PROPERTY OF LENOVO. ITS USE IS AUTHORIZED ONLY FOR RESPONDING TO A REQUEST FOR QUOTATION OR FOR THE PERFORMANCE OF WORK FOR LENOVO. ALL QUESTIONS MUST BE REFERRED TO THE LENOVO PURCHASING DEPARTMENT.				
LENOVO CONFIDENTIAL				

VER.0.11

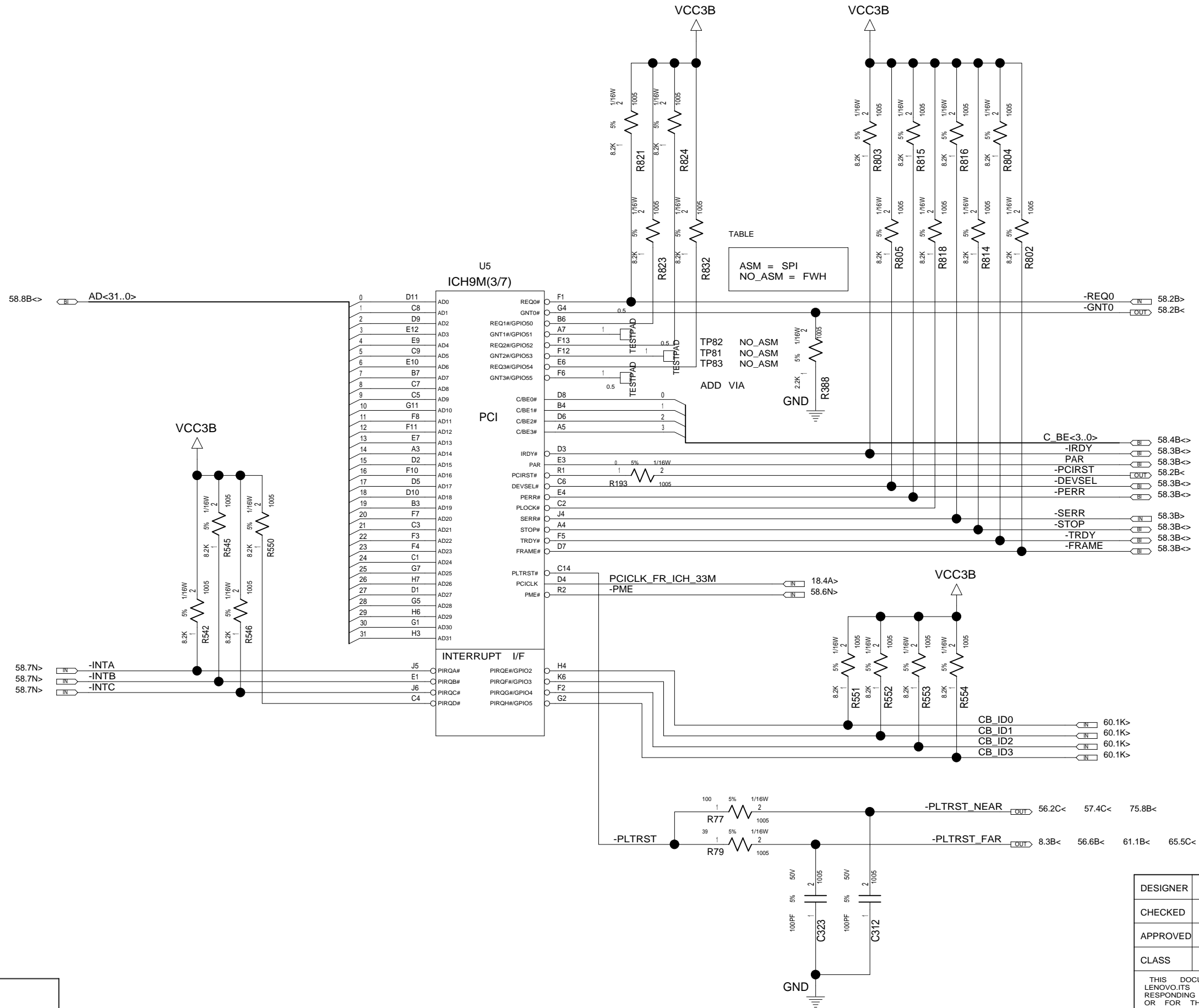


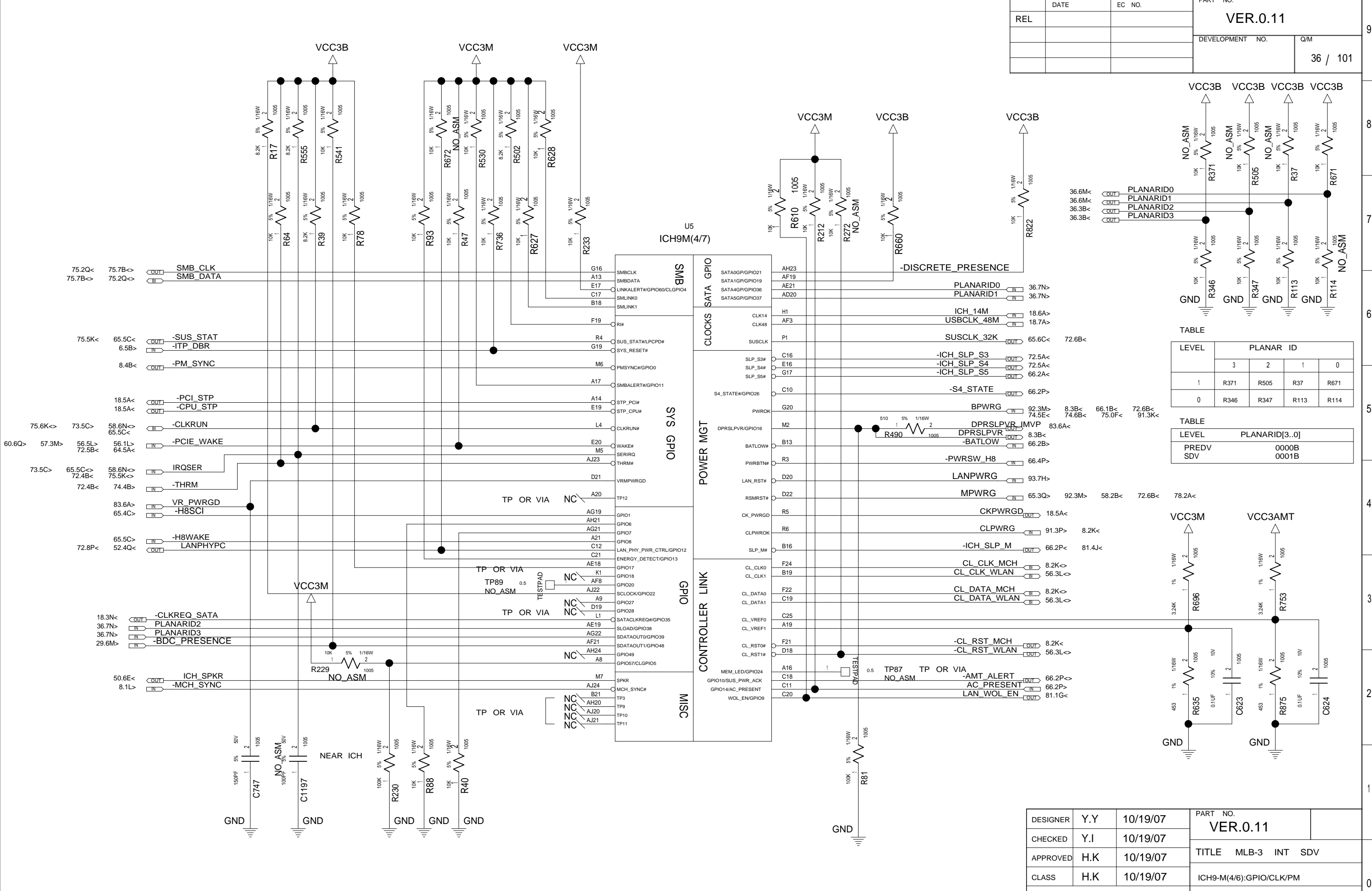
TABLE
 ASM = SPI
 NO_ASM = FWH

TP82 NO_ASM
 TP81 NO_ASM
 TP83 NO_ASM

ADD VIA

DESIGNER	Y.Y	10/19/07	PART NO.
CHECKED	Y.I	10/19/07	VER.0.11
APPROVED	H.K	10/19/07	TITLE MLB-3 INT SDV
CLASS	H.K	10/19/07	ICH9-M(3/6): PCI/INTERRUPT
THIS DOCUMENT IS THE PROPERTY OF LENOVO. ITS USE IS AUTHORIZED ONLY FOR RESPONDING TO A REQUEST FOR QUOTATION OR FOR THE PERFORMANCE OF WORK FOR LENOVO. ALL QUESTIONS MUST BE REFERRED TO THE LENOVO PURCHASING DEPARTMENT.			LENOVO CONFIDENTIAL

REL	DATE	EC NO.	PART NO.
			VER.0.11
			DEVELOPMENT NO.
			Q/M
			36 / 101



TABLE

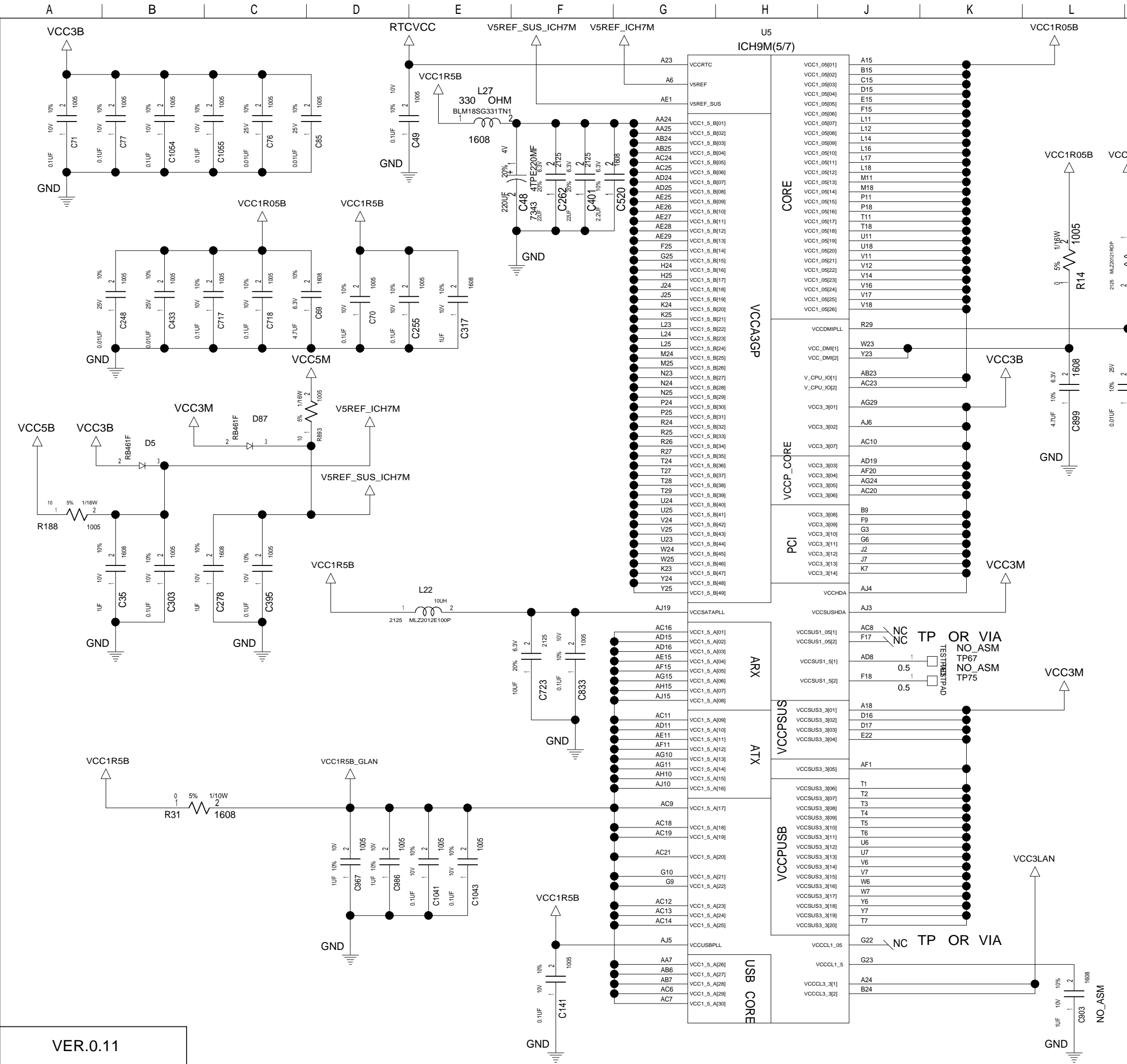
LEVEL	PLANAR ID			
	3	2	1	0
1	R371	R505	R37	R671
0	R346	R347	R113	R114

TABLE

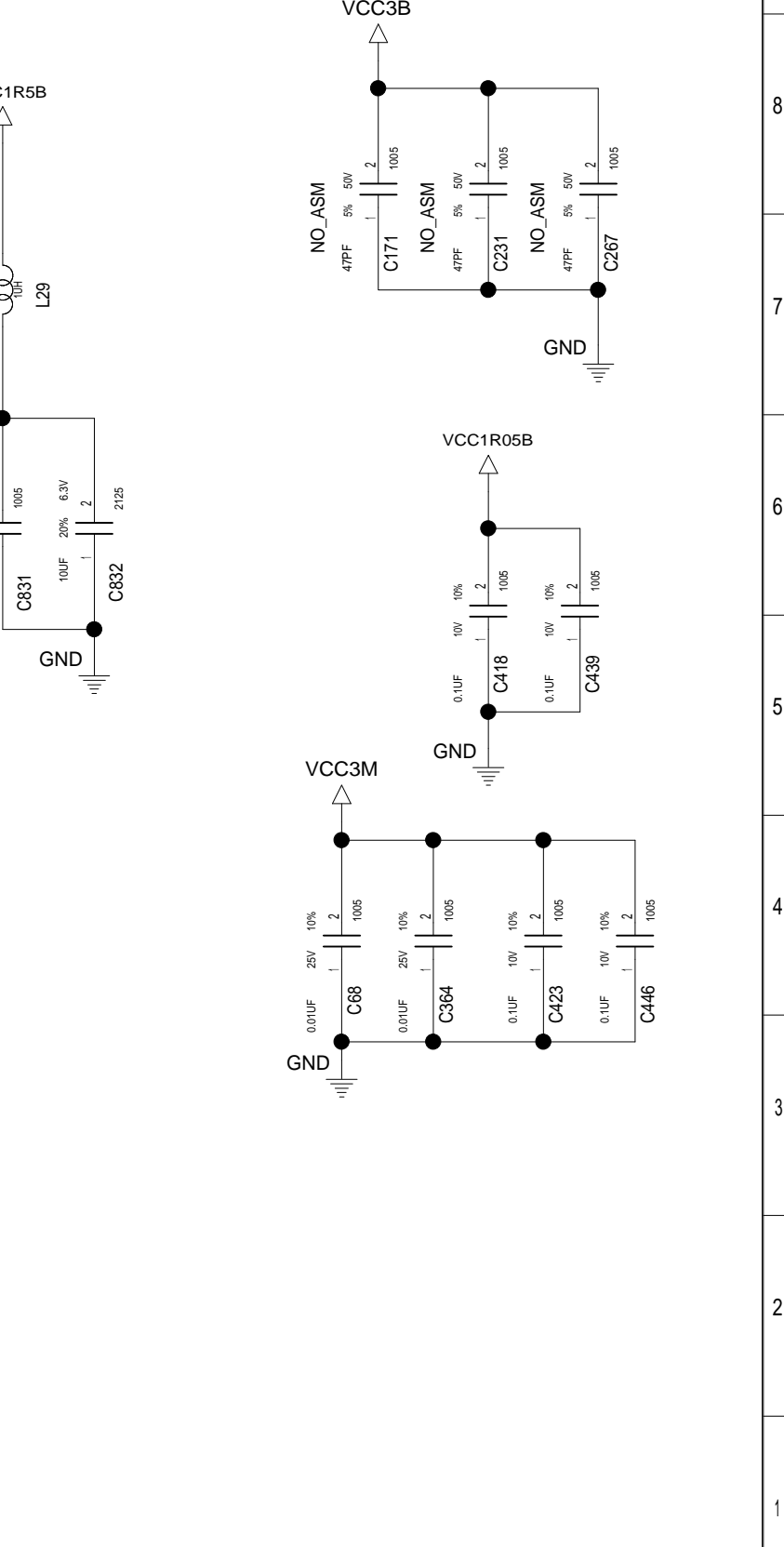
LEVEL	PLANARID[3..0]	
	PREDV	SDV
	0000B	0001B

DESIGNER	Y.Y	10/19/07	PART NO.
CHECKED	Y.I	10/19/07	VER.0.11
APPROVED	H.K	10/19/07	TITLE
CLASS	H.K	10/19/07	MLB-3 INT SDV
			ICH9-M(4/6):GPIO/CLK/PM
THIS DOCUMENT IS THE PROPERTY OF LENOVO. ITS USE IS AUTHORIZED ONLY FOR RESPONDING TO A REQUEST FOR QUOTATION OR FOR THE PERFORMANCE OF WORK FOR LENOVO. ALL QUESTIONS MUST BE REFERRED TO THE LENOVO PURCHASING DEPARTMENT.			LENOVO CONFIDENTIAL

VER.0.11



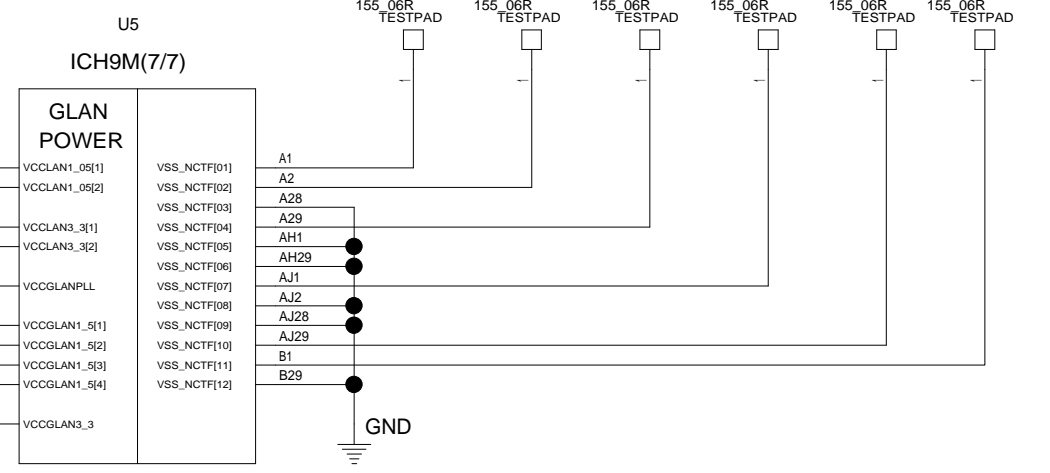
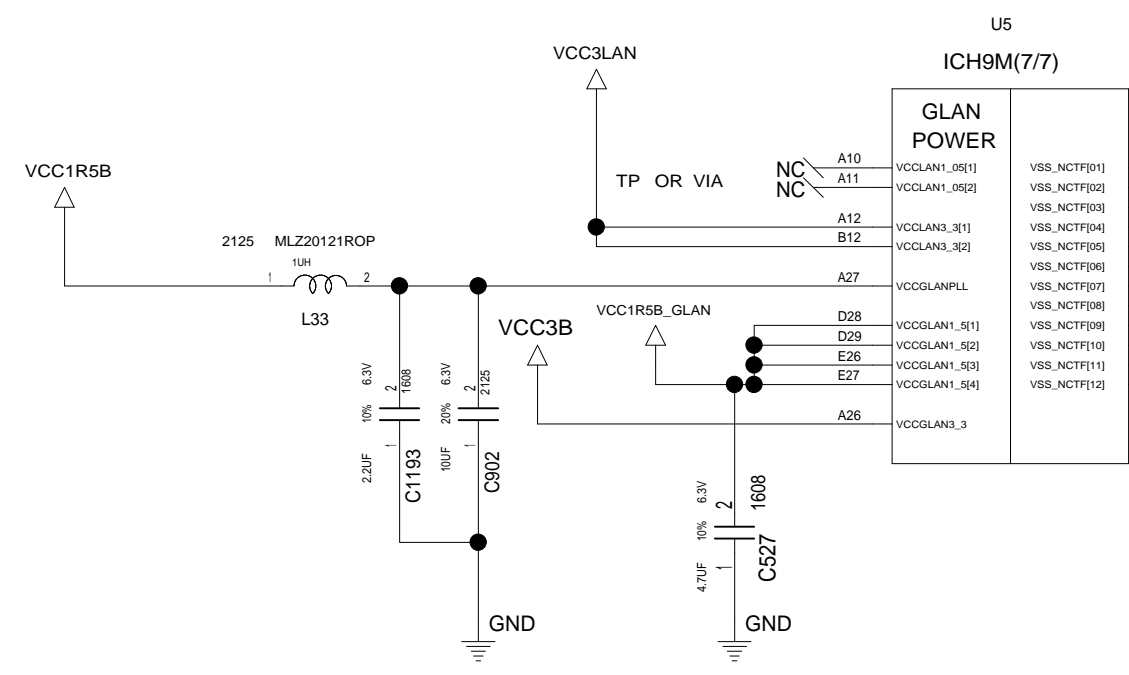
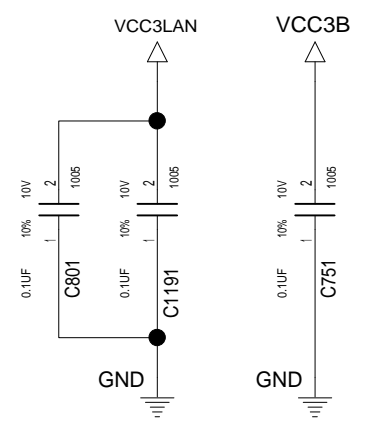
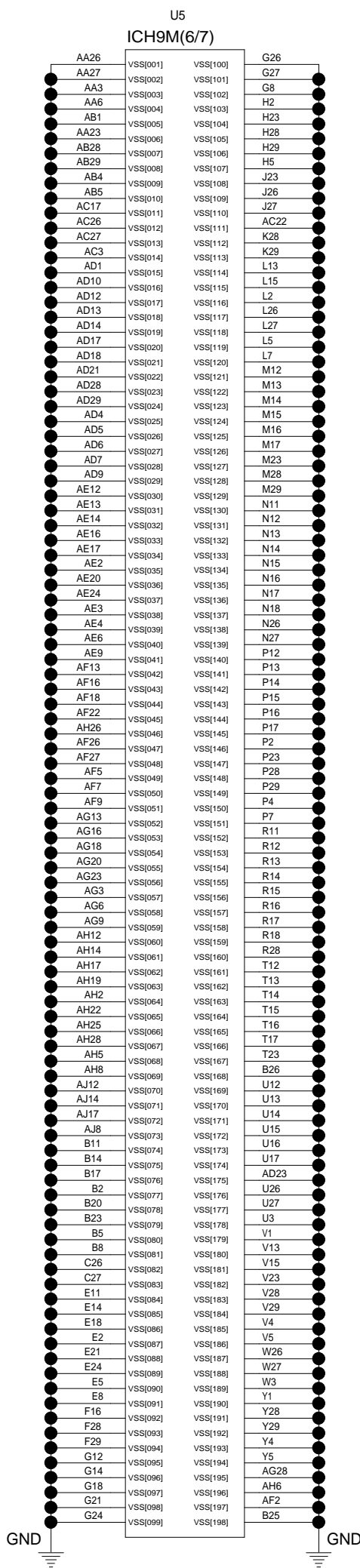
REL	DATE	EC NO.	PART NO.
			VER.0.11
			DEVELOPMENT NO.
			Q/M
			37 / 101



DESIGNER	Y.Y	10/19/07	PART NO.
CHECKED	Y.I	10/19/07	VER.0.11
APPROVED	H.K	10/19/07	TITLE
CLASS	H.K	10/19/07	MLB-3 INT SDV
			ICH9-M(5/6):POWER
THIS DOCUMENT IS THE PROPERTY OF LENOVO. ITS USE IS AUTHORIZED ONLY FOR RESPONDING TO A REQUEST FOR QUOTATION OR FOR THE PERFORMANCE OF WORK FOR LENOVO. ALL QUESTIONS MUST BE REFERRED TO THE LENOVO PURCHASING DEPARTMENT.			LENOVO CONFIDENTIAL

VER.0.11

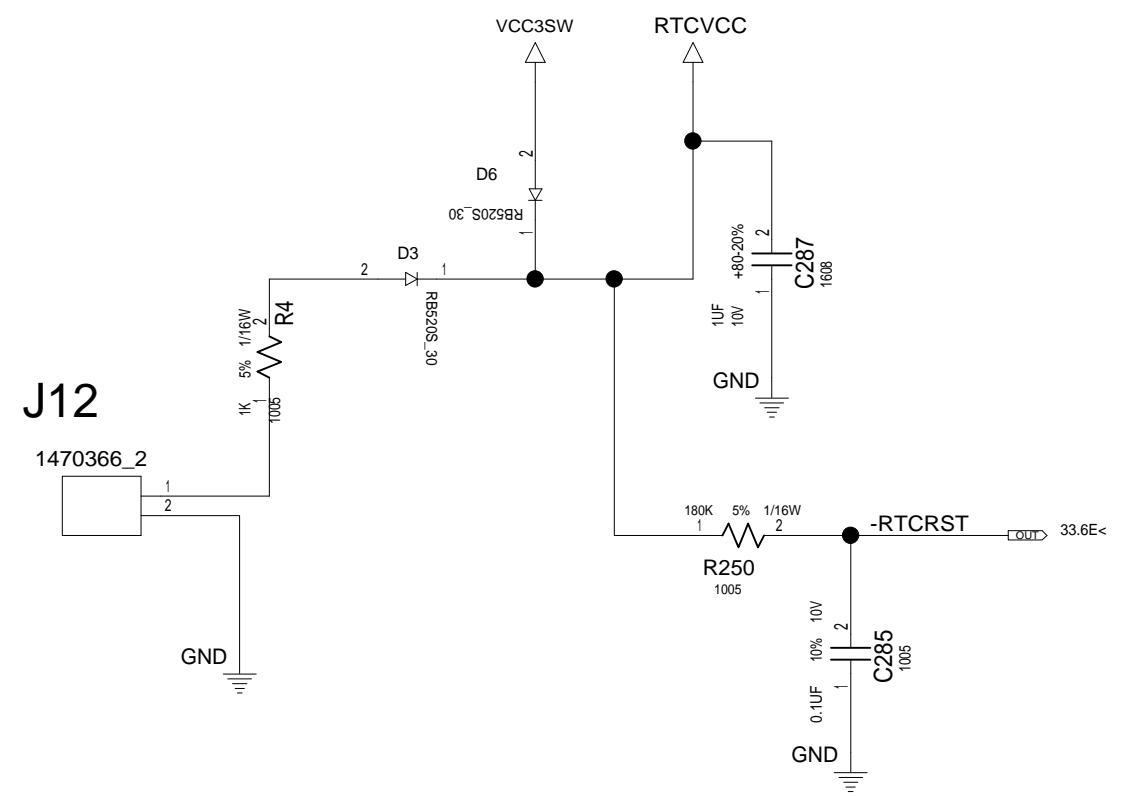
REL	DATE	EC NO.	PART NO. VER.0.11	
			DEVELOPMENT NO.	Q/M 38 / 101



VER.0.11

DESIGNER	Y.Y	10/19/07	PART NO. VER.0.11	
CHECKED	Y.I	10/19/07	TITLE MLB-3 INT SDV	
APPROVED	H.K	10/19/07	IC9M(6/6):GND	
CLASS	H.K	10/19/07	LENOVO CONFIDENTIAL	

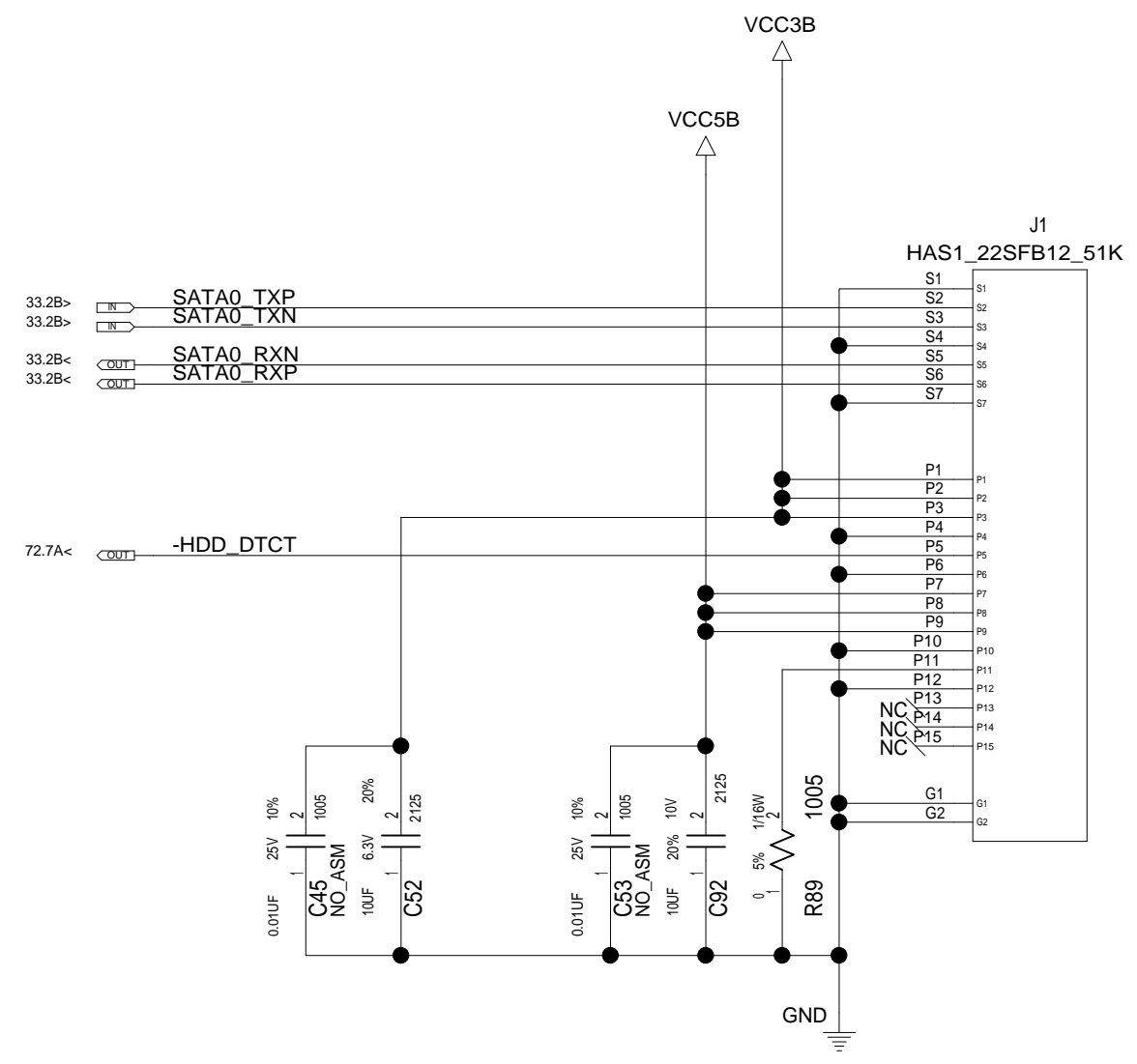
	DATE	EC NO.	PART NO.	
REL			VER.0.11	
			DEVELOPMENT NO.	Q/M
				39 / 101



VER.0.11

DESIGNER	Y.Y	10/19/07	PART NO.	
CHECKED	Y.I	10/19/07	VER.0.11	
APPROVED	H.K	10/19/07	TITLE MLB-3 INT SDV	
CLASS	H.K	10/19/07	RTC BATTERY	
<small>THIS DOCUMENT IS THE PROPERTY OF LENOVO. ITS USE IS AUTHORIZED ONLY FOR RESPONDING TO A REQUEST FOR QUOTATION OR FOR THE PERFORMANCE OF WORK FOR LENOVO. ALL QUESTIONS MUST BE REFERRED TO THE LENOVO PURCHASING DEPARTMENT.</small>			LENOVO CONFIDENTIAL	

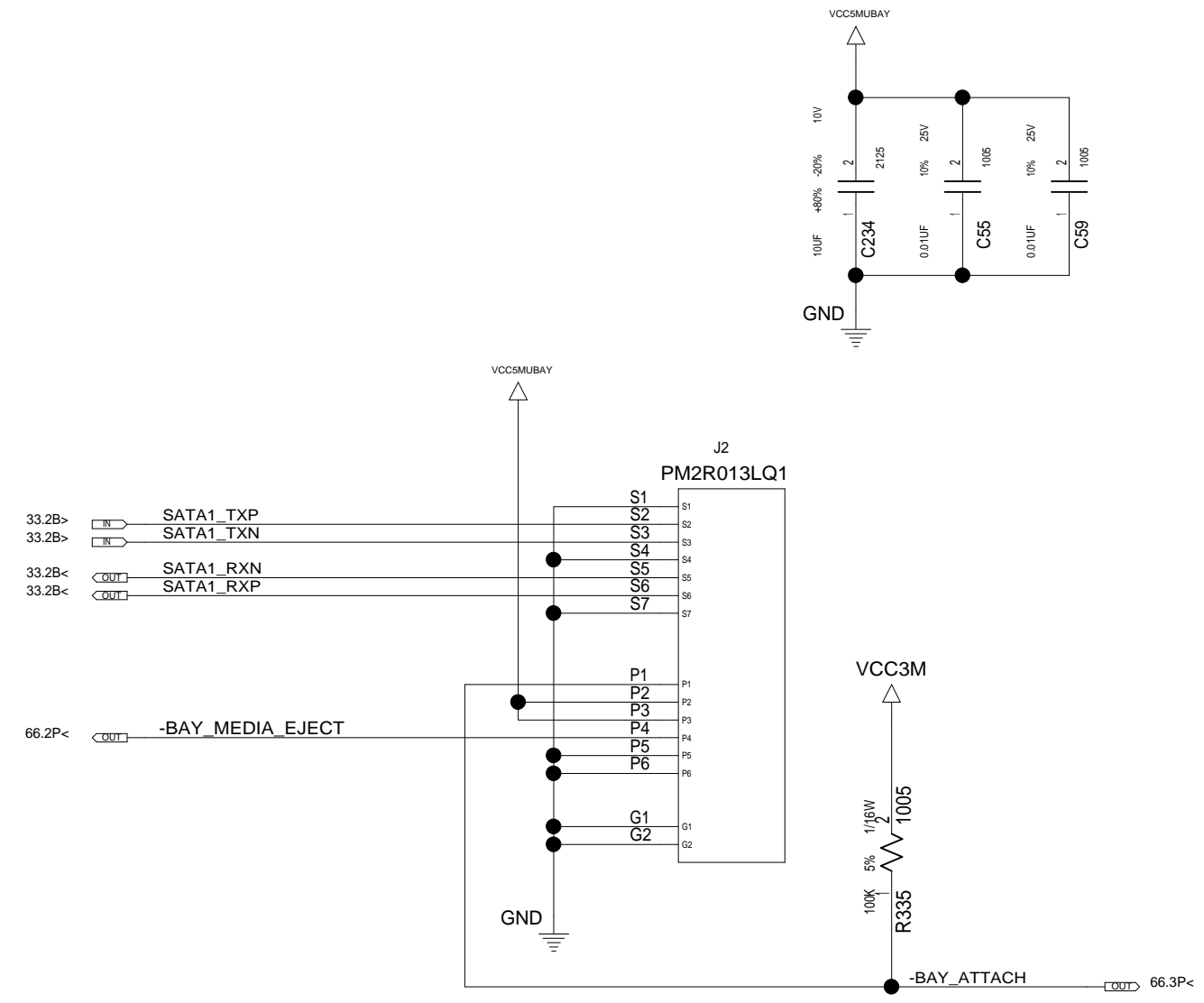
	DATE	EC NO.	PART NO.	
REL			VER.0.11	
			DEVELOPMENT NO.	Q/M
				40 / 101



VER.0.11

DESIGNER	Y.Y	10/19/07	PART NO.	VER.0.11
CHECKED	Y.I	10/19/07	TITLE MLB-3 INT SDV	
APPROVED	H.K	10/19/07	SATA HDD CONN	
CLASS	H.K	10/19/07	LENOVO CONFIDENTIAL	
<small>THIS DOCUMENT IS THE PROPERTY OF LENOVO. ITS USE IS AUTHORIZED ONLY FOR RESPONDING TO A REQUEST FOR QUOTATION OR FOR THE PERFORMANCE OF WORK FOR LENOVO. ALL QUESTIONS MUST BE REFERRED TO THE LENOVO PURCHASING DEPARTMENT.</small>				

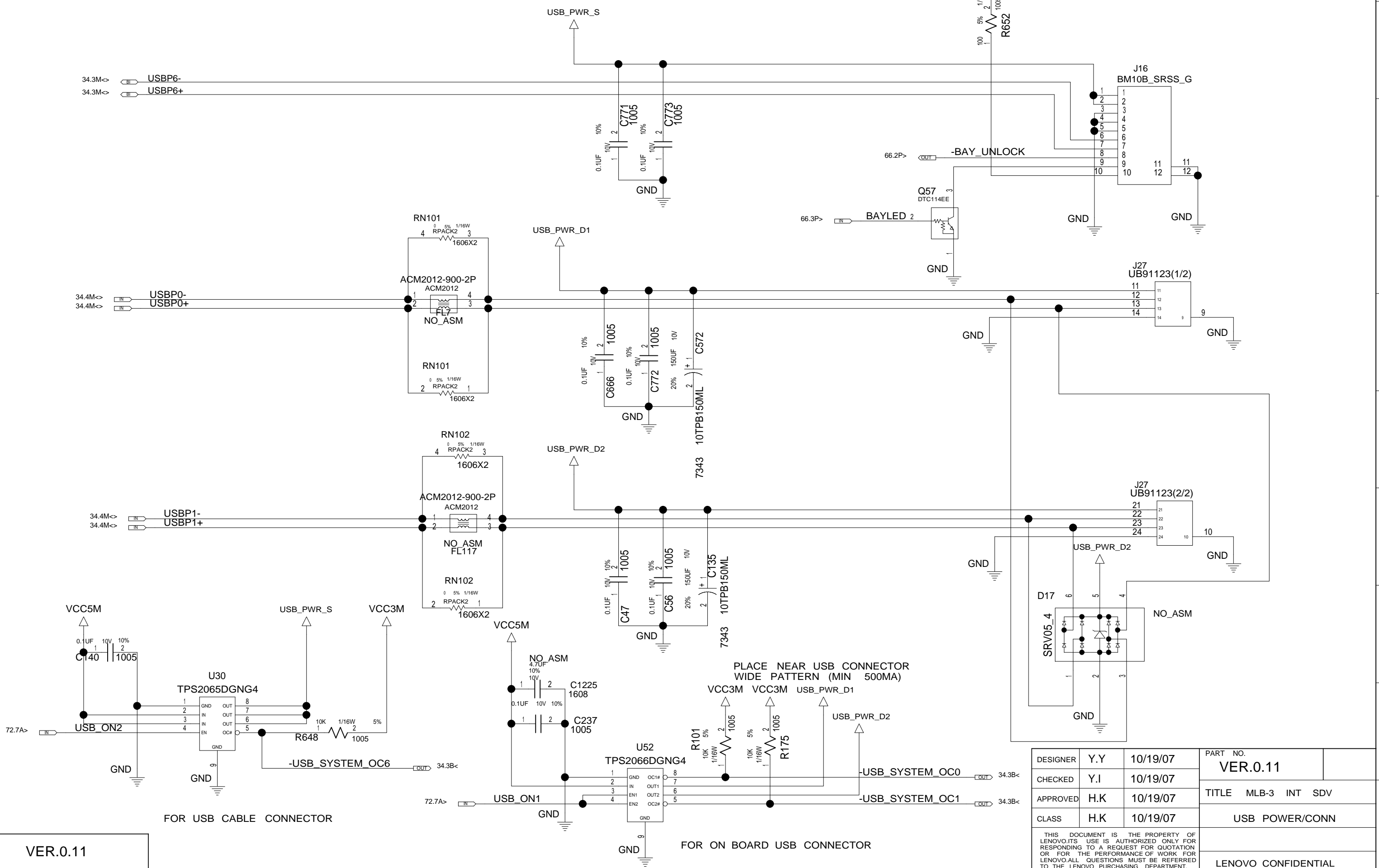
	DATE	EC NO.	PART NO.	
REL			VER.0.11	
			DEVELOPMENT NO.	Q/M
				41 / 101



VER.0.11

DESIGNER	Y.Y	10/19/07	PART NO.	
CHECKED	Y.I	10/19/07	VER.0.11	
APPROVED	H.K	10/19/07	TITLE MLB-3 INT SDV	
CLASS	H.K	10/19/07	SATA BAY I/F CONN	
THIS DOCUMENT IS THE PROPERTY OF LENOVO. ITS USE IS AUTHORIZED ONLY FOR RESPONDING TO A REQUEST FOR QUOTATION OR FOR THE PERFORMANCE OF WORK FOR LENOVO. ALL QUESTIONS MUST BE REFERRED TO THE LENOVO PURCHASING DEPARTMENT.			LENOVO CONFIDENTIAL	

DATE	EC NO.	PART NO.	
REL		VER.0.11	
		DEVELOPMENT NO.	Q/M
			42 / 101

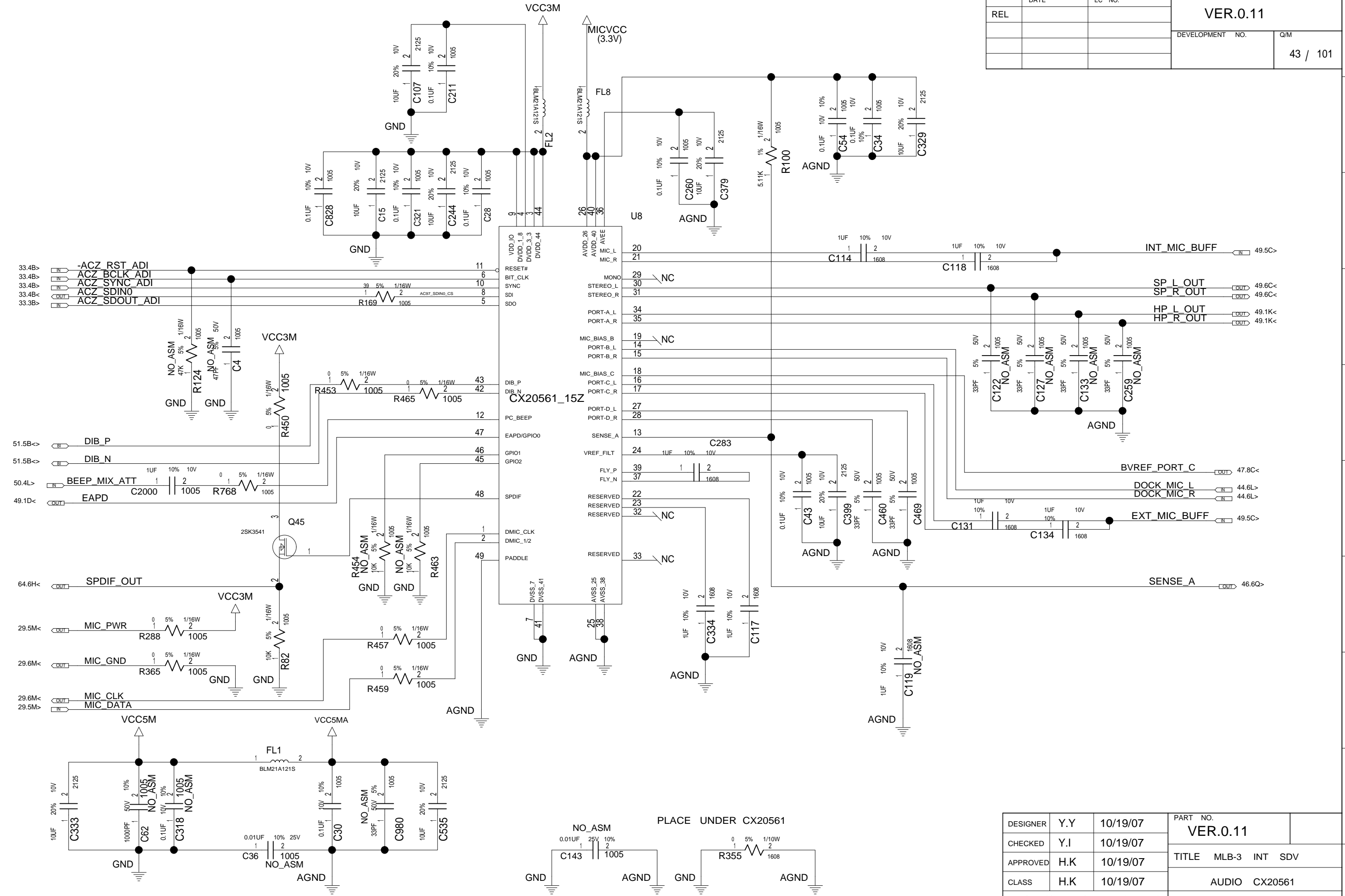


VER.0.11

DESIGNER	Y.Y	10/19/07	PART NO.	VER.0.11
CHECKED	Y.I	10/19/07	TITLE	MLB-3 INT SDV
APPROVED	H.K	10/19/07	USB POWER/CONN	
CLASS	H.K	10/19/07	LENOVO CONFIDENTIAL	

THIS DOCUMENT IS THE PROPERTY OF LENOVO. ITS USE IS AUTHORIZED ONLY FOR RESPONDING TO A REQUEST FOR QUOTATION OR FOR THE PERFORMANCE OF WORK FOR LENOVO. ALL QUESTIONS MUST BE REFERRED TO THE LENOVO PURCHASING DEPARTMENT.

REL	DATE	EC NO.	PART NO.
			VER.0.11
			DEVELOPMENT NO.
			Q/M
			43 / 101

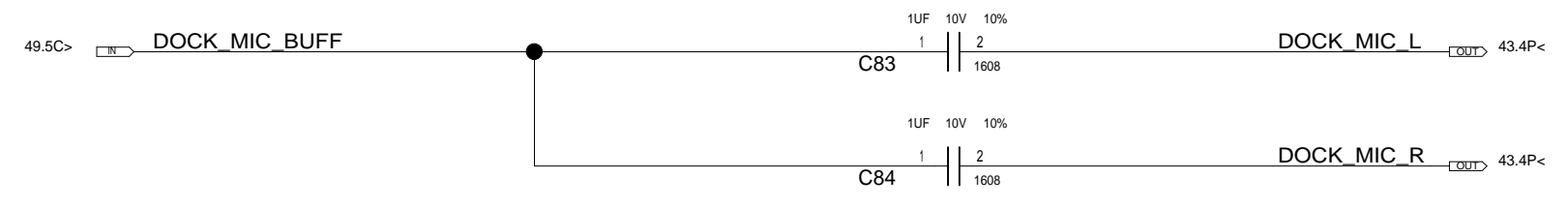


VER.0.11

DESIGNER	Y.Y	10/19/07	PART NO.
CHECKED	Y.I	10/19/07	VER.0.11
APPROVED	H.K	10/19/07	TITLE MLB-3 INT SDV
CLASS	H.K	10/19/07	AUDIO CX20561
THIS DOCUMENT IS THE PROPERTY OF LENOVO.ITS USE IS AUTHORIZED ONLY FOR RESPONDING TO A REQUEST FOR QUOTATION OR FOR THE PERFORMANCE OF WORK FOR LENOVO.ALL QUESTIONS MUST BE REFERRED TO THE LENOVO PURCHASING DEPARTMENT.			LENOVO CONFIDENTIAL

A B C D E F G H J K L M N P Q

	DATE	EC NO.	PART NO.	
REL			VER.0.11	
			DEVELOPMENT NO.	Q/M
				44 / 101

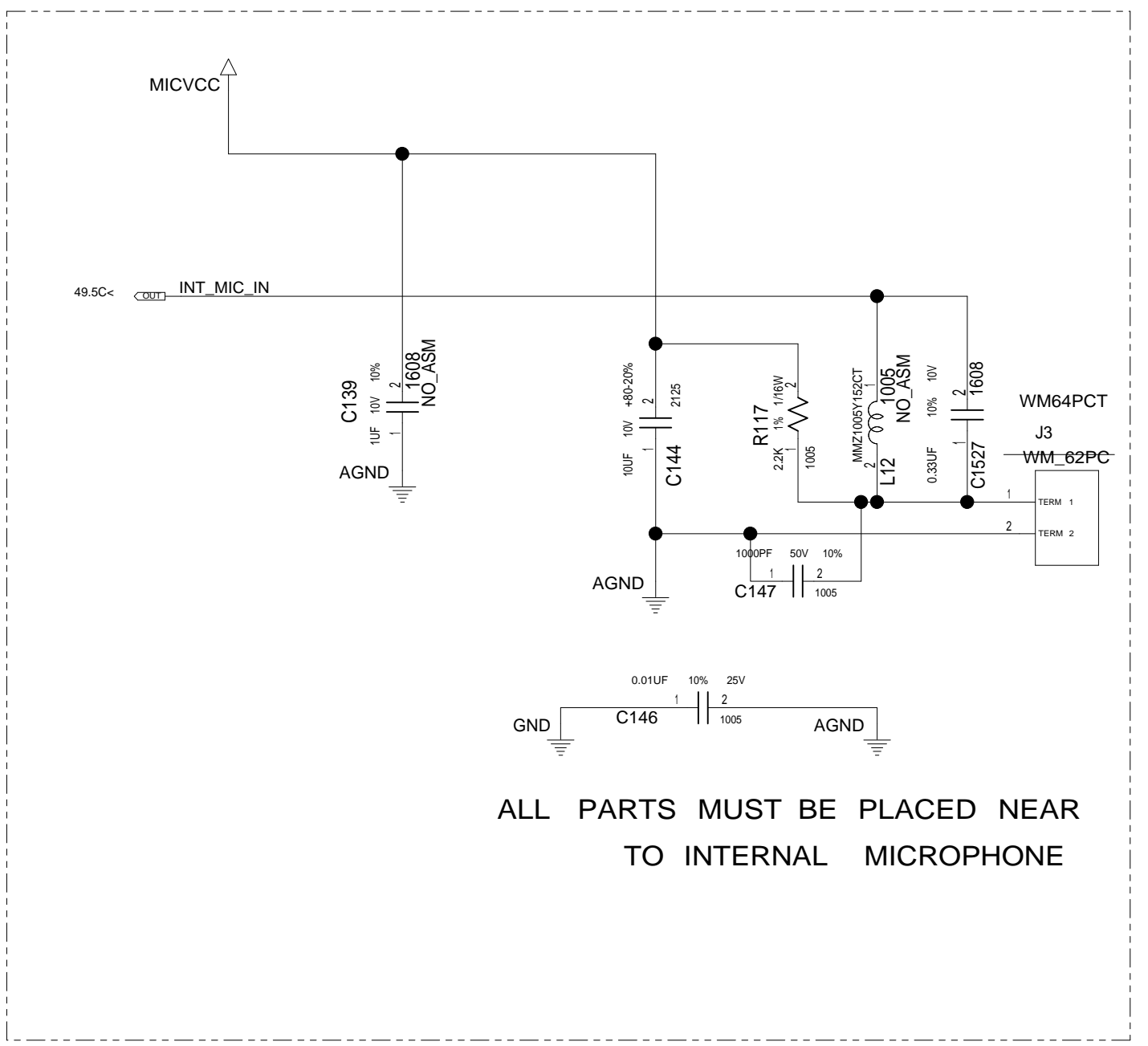
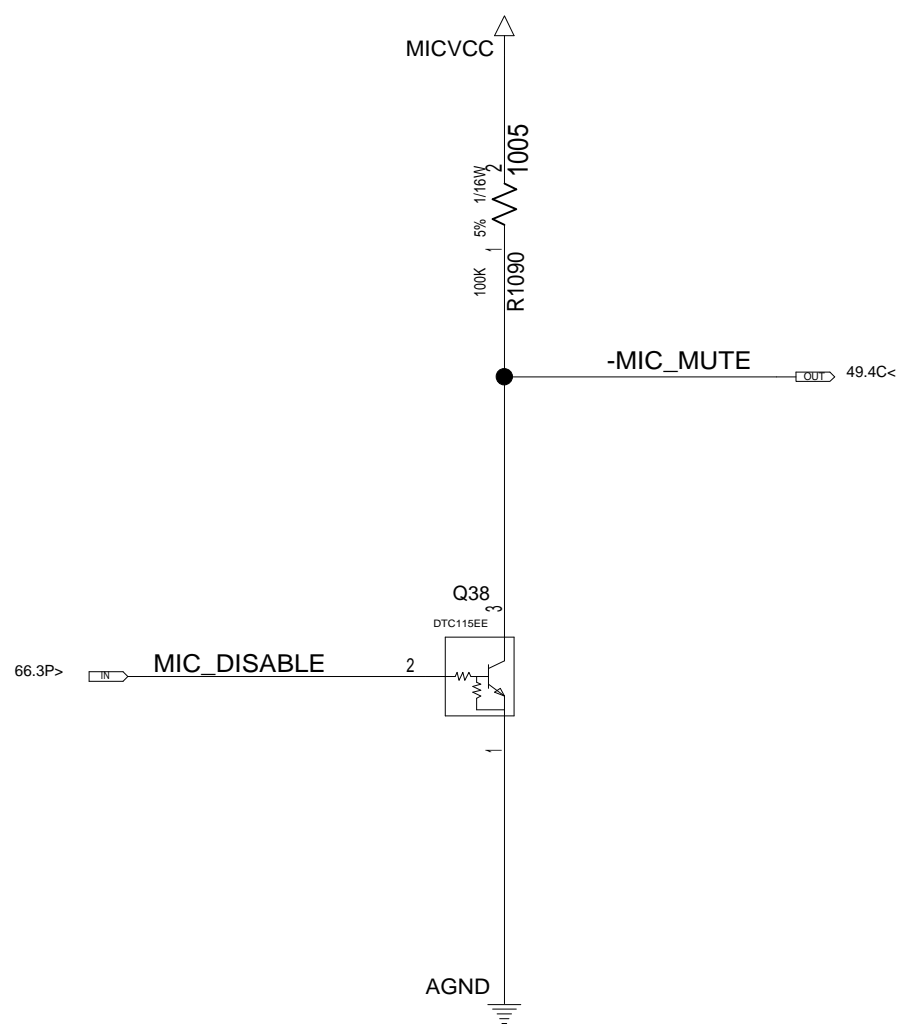
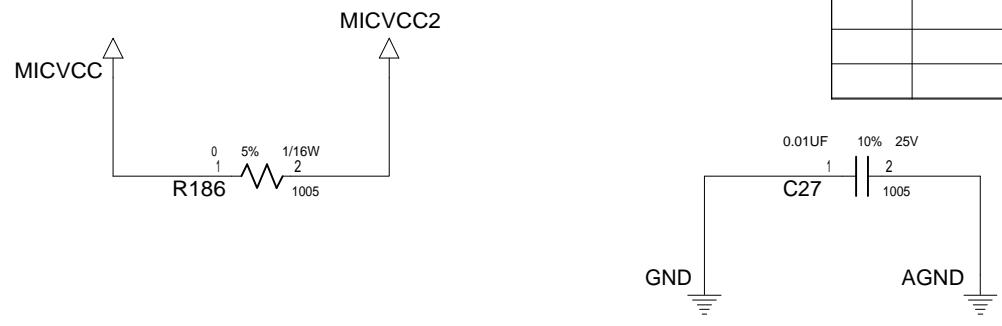


VER.0.11

DESIGNER	Y.Y	10/19/07	PART NO.	
CHECKED	Y.I	10/19/07	VER.0.11	
APPROVED	H.K	10/19/07	TITLE MLB-3 INT SDV	
CLASS	H.K	10/19/07	AUDIO MISC	
<small>THIS DOCUMENT IS THE PROPERTY OF LENOVO.ITS USE IS AUTHORIZED ONLY FOR RESPONDING TO A REQUEST FOR QUOTATION OR FOR THE PERFORMANCE OF WORK FOR LENOVO.ALL QUESTIONS MUST BE REFERRED TO THE LENOVO PURCHASING DEPARTMENT.</small>			LENOVO CONFIDENTIAL	

A B C D E F G H J K L M N P Q

REL	DATE	EC NO.	PART NO. VER.0.11	
			DEVELOPMENT NO.	Q/M 45 / 101

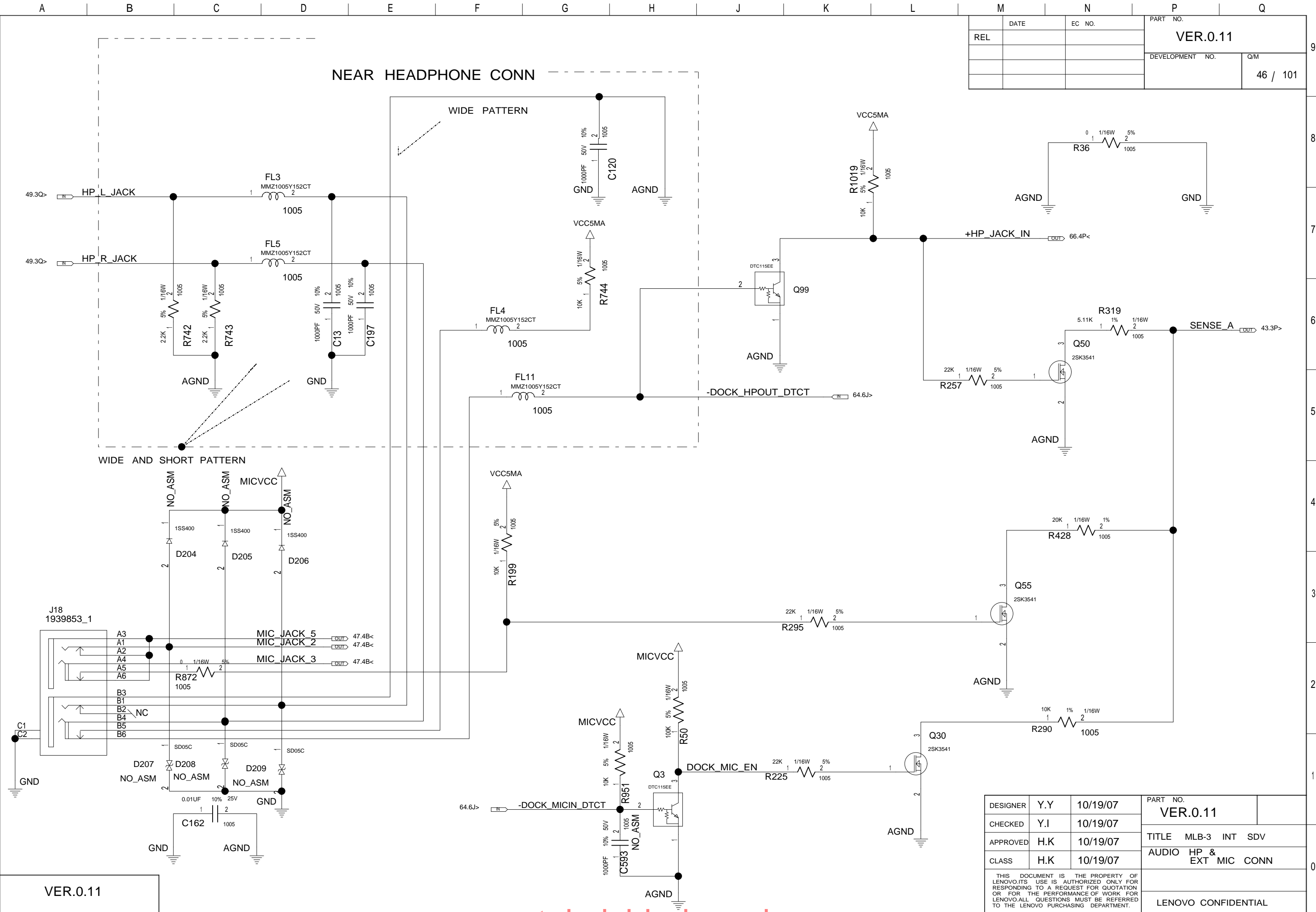


VER.0.11

DESIGNER	Y.Y	10/19/07	PART NO. VER.0.11	
CHECKED	Y.I	10/19/07	TITLE MLB-3 INT SDV	
APPROVED	H.K	10/19/07	AUDIO INT MIC	
CLASS	H.K	10/19/07	LENOVO CONFIDENTIAL	

	DATE	EC NO.	PART NO.	
REL			VER.0.11	
			DEVELOPMENT NO.	Q/M
				46 / 101

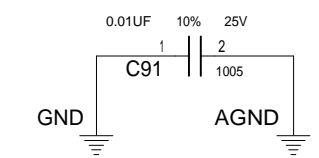
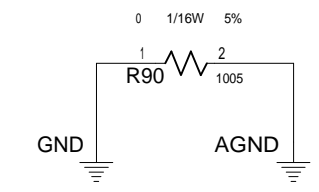
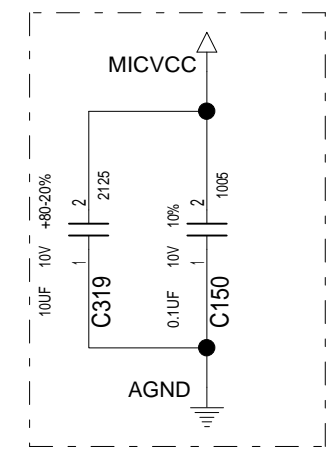
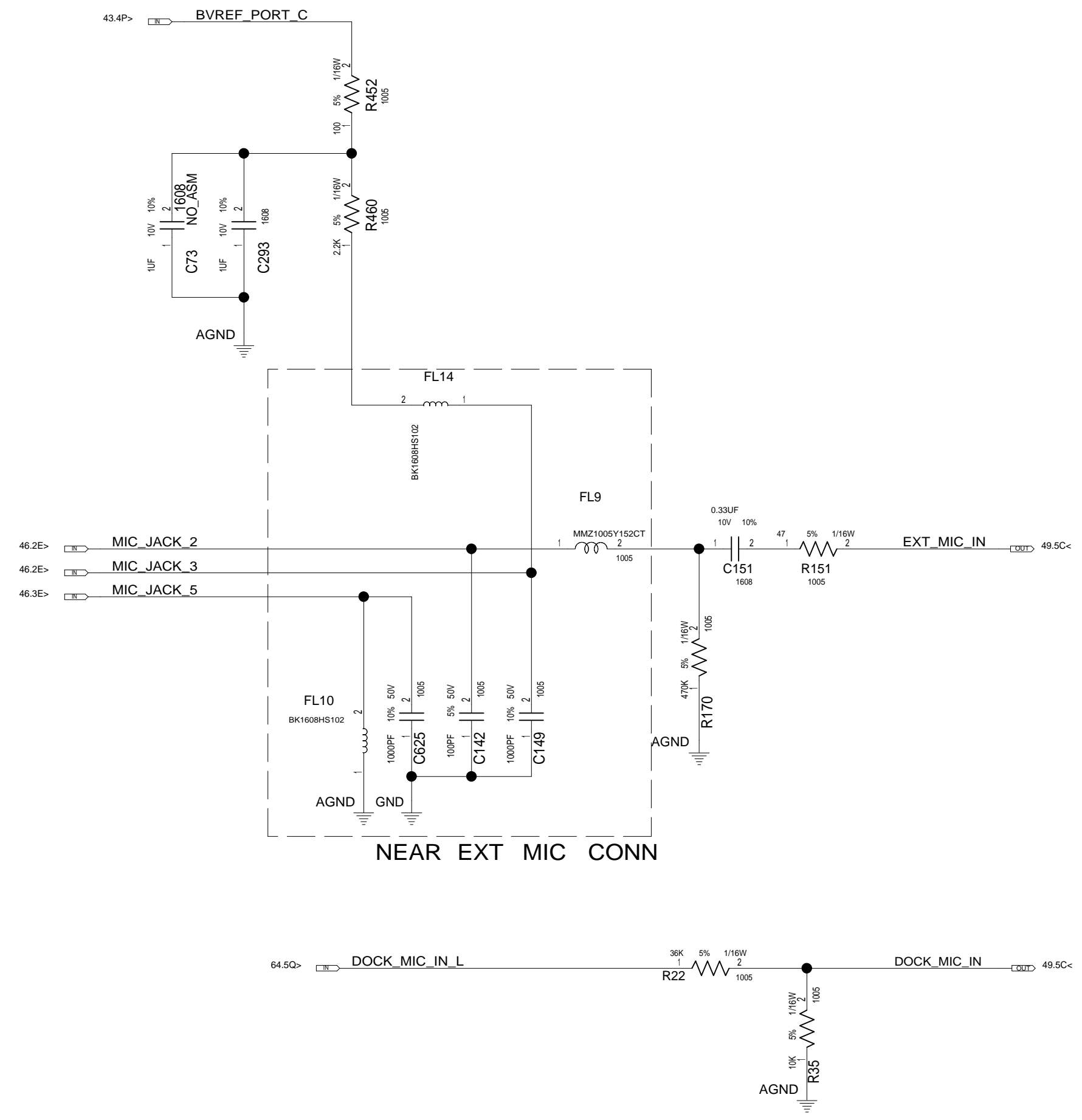
NEAR HEADPHONE CONN



VER.0.11

DESIGNER	Y.Y	10/19/07	PART NO.	
CHECKED	Y.I	10/19/07	VER.0.11	
APPROVED	H.K	10/19/07	TITLE MLB-3 INT SDV	
CLASS	H.K	10/19/07	AUDIO HP & EXT MIC CONN	
THIS DOCUMENT IS THE PROPERTY OF LENOVO. ITS USE IS AUTHORIZED ONLY FOR RESPONDING TO A REQUEST FOR QUOTATION OR FOR THE PERFORMANCE OF WORK FOR LENOVO. ALL QUESTIONS MUST BE REFERRED TO THE LENOVO PURCHASING DEPARTMENT.				
LENOVO CONFIDENTIAL				

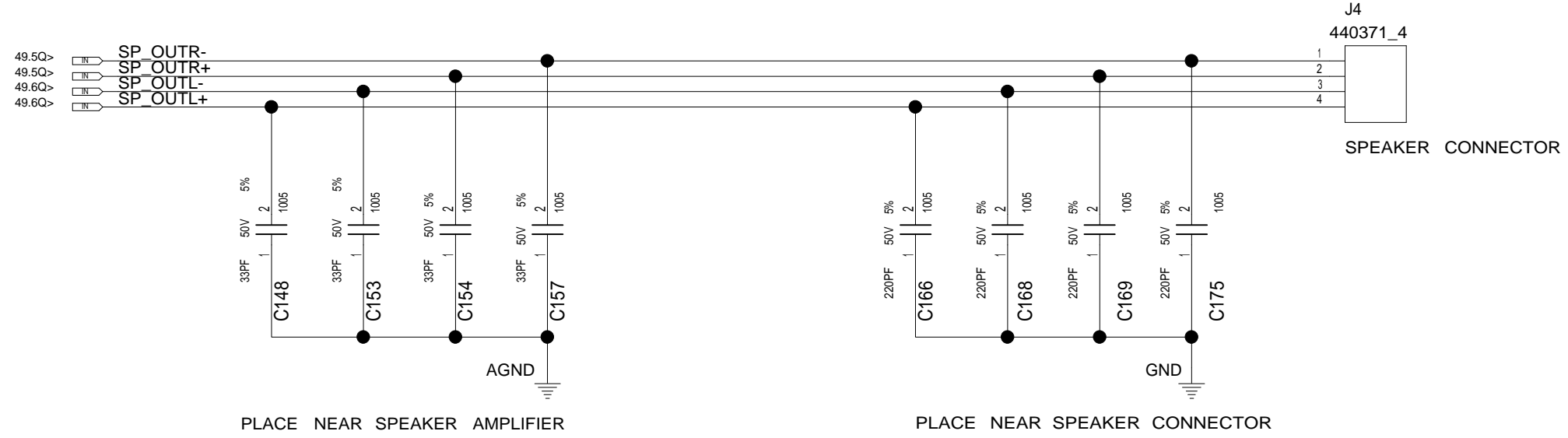
	DATE	EC NO.	PART NO.	
REL			VER.0.11	
			DEVELOPMENT NO.	Q/M
				47 / 101



DESIGNER	Y.Y	10/19/07	PART NO.	
CHECKED	Y.I	10/19/07	VER.0.11	
APPROVED	H.K	10/19/07	TITLE MLB-3 INT SDV	
CLASS	H.K	10/19/07	AUDIO EXT MIC AMP	
THIS DOCUMENT IS THE PROPERTY OF LENOVO.ITS USE IS AUTHORIZED ONLY FOR RESPONDING TO A REQUEST FOR QUOTATION OR FOR THE PERFORMANCE OF WORK FOR LENOVO.ALL QUESTIONS MUST BE REFERRED TO THE LENOVO PURCHASING DEPARTMENT.			LENOVO CONFIDENTIAL	

VER.0.11

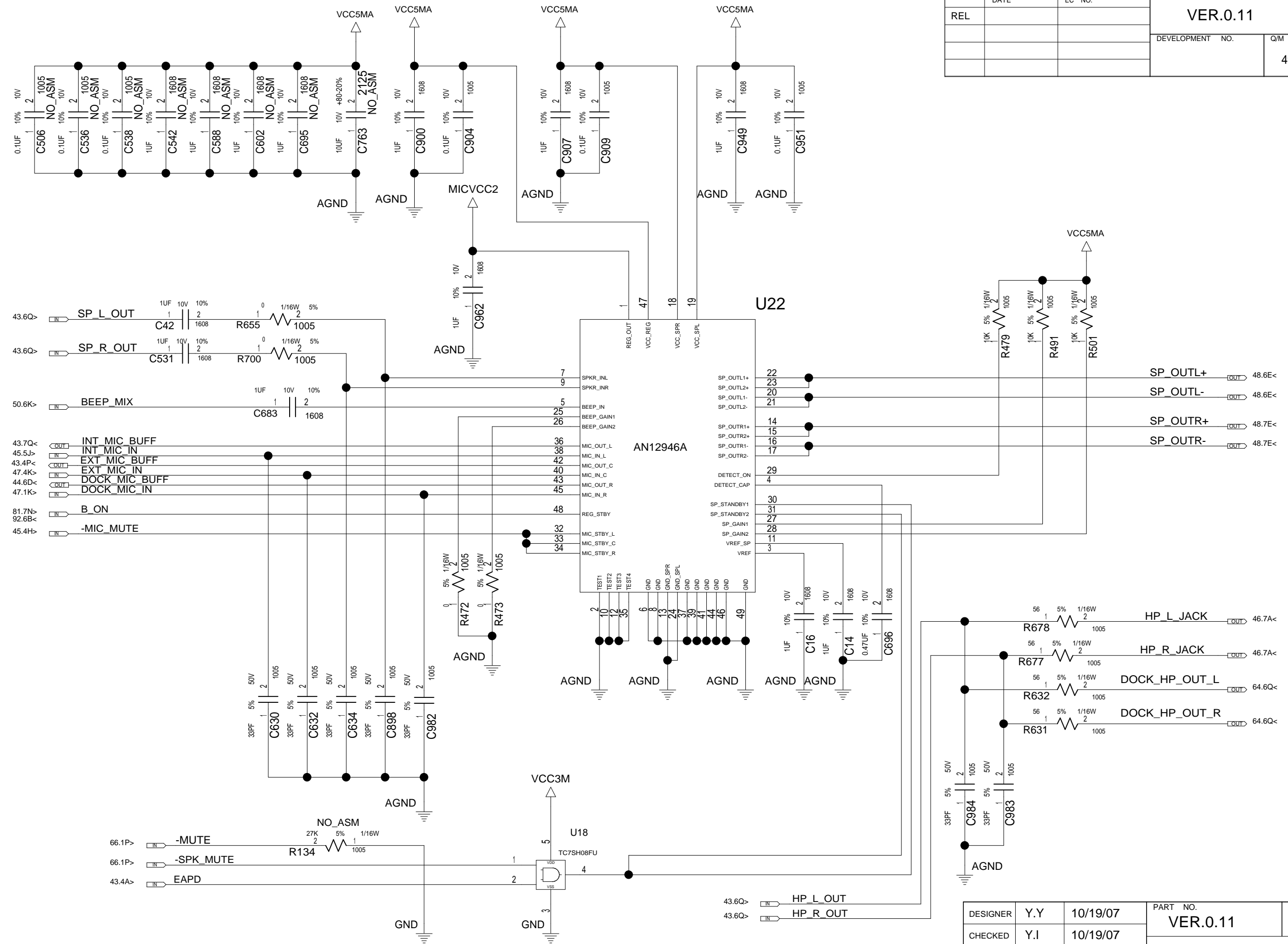
	DATE	EC NO.	PART NO.	
REL			VER.0.11	
			DEVELOPMENT NO.	Q/M
				48 / 101



VER.0.11

DESIGNER	Y.Y	10/19/07	PART NO.	VER.0.11
CHECKED	Y.I	10/19/07	TITLE MLB-3 INT SDV	
APPROVED	H.K	10/19/07	AUDIO SPEAKER	
CLASS	H.K	10/19/07	LENOVO CONFIDENTIAL	
<small>THIS DOCUMENT IS THE PROPERTY OF LENOVO.ITS USE IS AUTHORIZED ONLY FOR RESPONDING TO A REQUEST FOR QUOTATION OR FOR THE PERFORMANCE OF WORK FOR LENOVO.ALL QUESTIONS MUST BE REFERRED TO THE LENOVO PURCHASING DEPARTMENT.</small>				

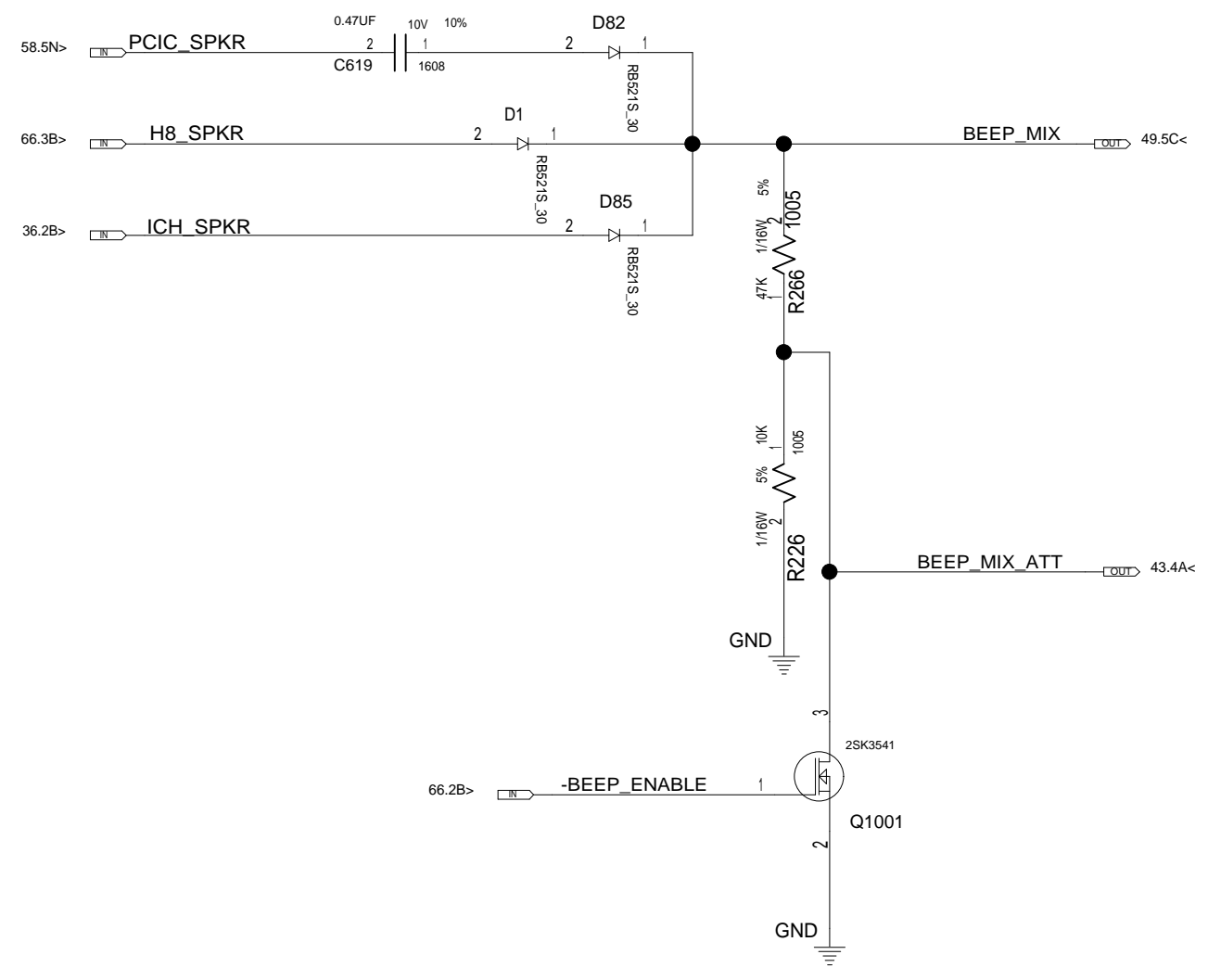
	DATE	EC NO.	PART NO.	
REL			VER.0.11	
			DEVELOPMENT NO.	Q/M
				49 / 101



VER.0.11

DESIGNER	Y.Y	10/19/07	PART NO.	
CHECKED	Y.I	10/19/07	VER.0.11	
APPROVED	H.K	10/19/07	TITLE MLB-3 INT SDV	
CLASS	H.K	10/19/07	AUDIO HDP AMP	
THIS DOCUMENT IS THE PROPERTY OF LENOVO. ITS USE IS AUTHORIZED ONLY FOR RESPONDING TO A REQUEST FOR QUOTATION OR FOR THE PERFORMANCE OF WORK FOR LENOVO. ALL QUESTIONS MUST BE REFERRED TO THE LENOVO PURCHASING DEPARTMENT.			LENOVO CONFIDENTIAL	

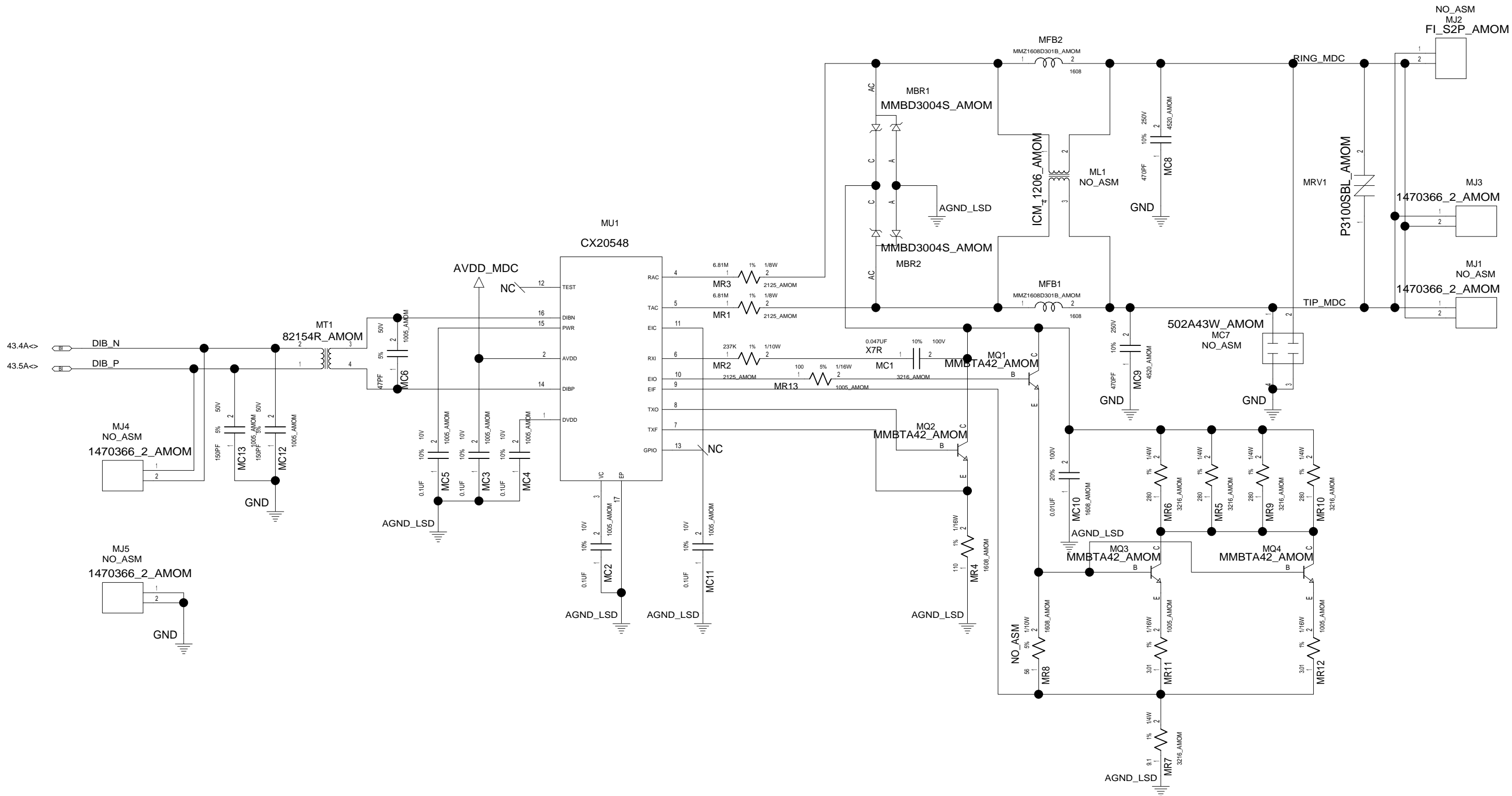
	DATE	EC NO.	PART NO.	
REL			VER.0.11	
			DEVELOPMENT NO.	Q/M
				50 / 101



VER.0.11

DESIGNER	Y.Y	10/19/07	PART NO.	
CHECKED	Y.I	10/19/07	VER.0.11	
APPROVED	H.K	10/19/07	TITLE MLB-3 INT SDV	
CLASS	H.K	10/19/07	AUDIO BEEP	
THIS DOCUMENT IS THE PROPERTY OF LENOVO. ITS USE IS AUTHORIZED ONLY FOR RESPONDING TO A REQUEST FOR QUOTATION OR FOR THE PERFORMANCE OF WORK FOR LENOVO. ALL QUESTIONS MUST BE REFERRED TO THE LENOVO PURCHASING DEPARTMENT.			LENOVO CONFIDENTIAL	

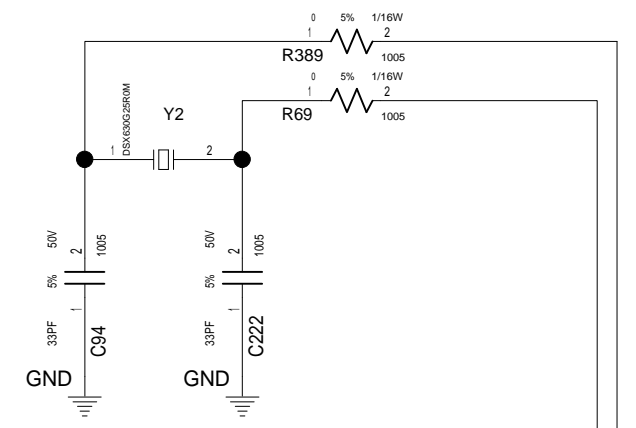
	DATE	EC NO.	PART NO.	
REL			VER.0.11	
			DEVELOPMENT NO.	Q/M
				51 / 101



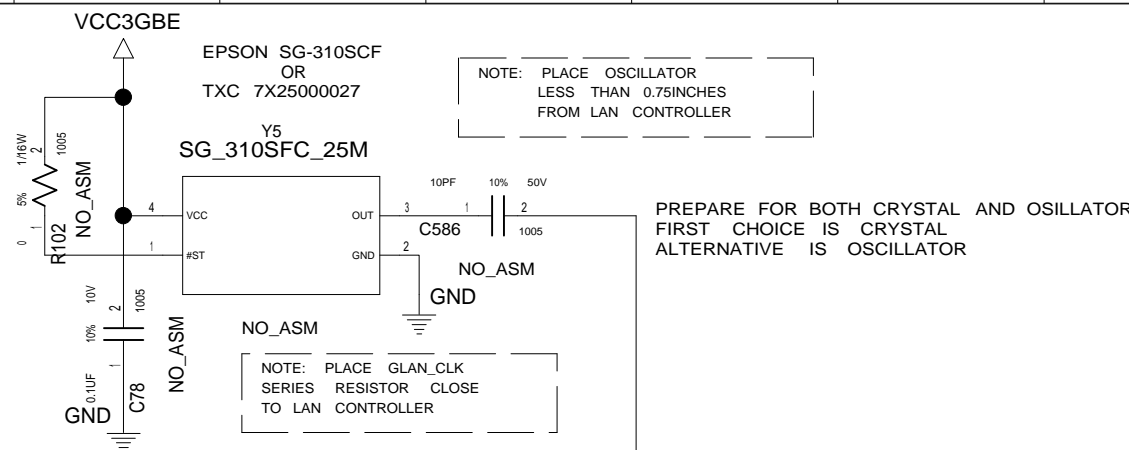
VER.0.11

DESIGNER	Y.Y	10/19/07	PART NO.	
CHECKED	Y.I	10/19/07	VER.0.11	
APPROVED	H.K	10/19/07	TITLE MLB-3 INT SDV	
CLASS	H.K	10/19/07	AMOM CONEXANT CX20548	
THIS DOCUMENT IS THE PROPERTY OF LENOVO. ITS USE IS AUTHORIZED ONLY FOR RESPONDING TO A REQUEST FOR QUOTATION OR FOR THE PERFORMANCE OF WORK FOR LENOVO. ALL QUESTIONS MUST BE REFERRED TO THE LENOVO PURCHASING DEPARTMENT.			LENOVO CONFIDENTIAL	

REL	DATE	EC NO.	PART NO.
			VER.0.11
			DEVELOPMENT NO.
			Q/M
			52 / 101



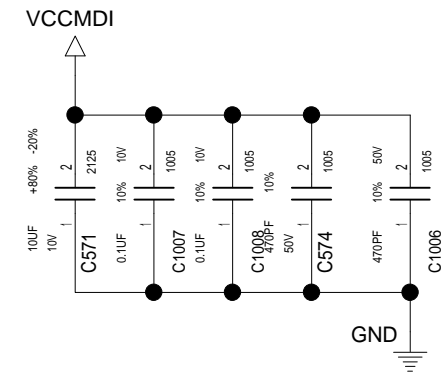
PLACE CRYSTAL LESS THAN 0.75 INCHES FROM GBE PHY



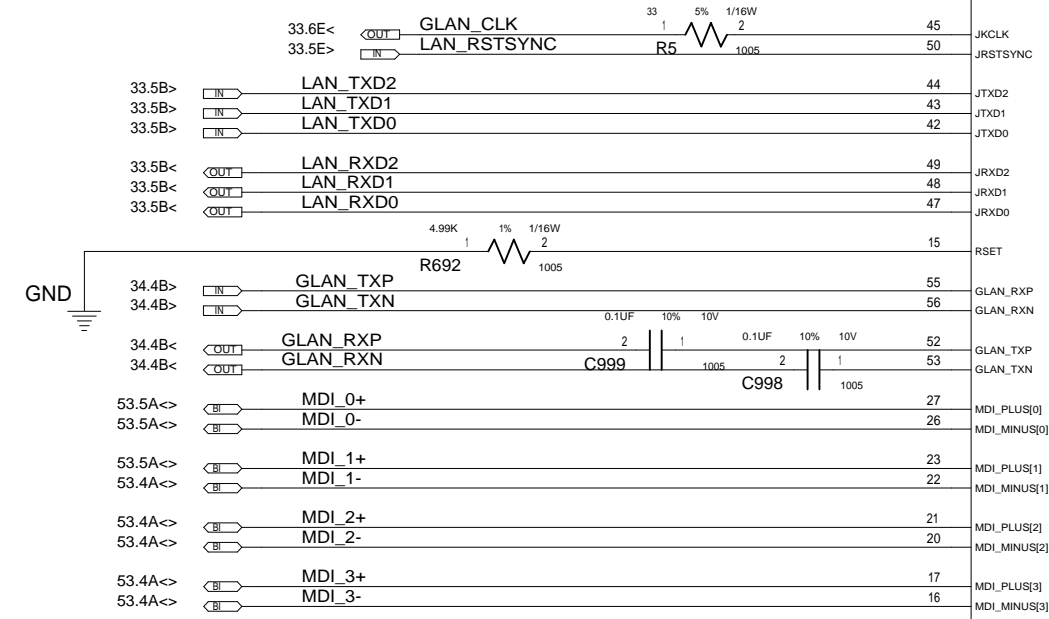
NOTE: PLACE OSCILLATOR LESS THAN 0.75INCHES FROM LAN CONTROLLER

PREPARE FOR BOTH CRYSTAL AND OSILLATOR FIRST CHOICE IS CRYSTAL ALTERNATIVE IS OSCILLATOR

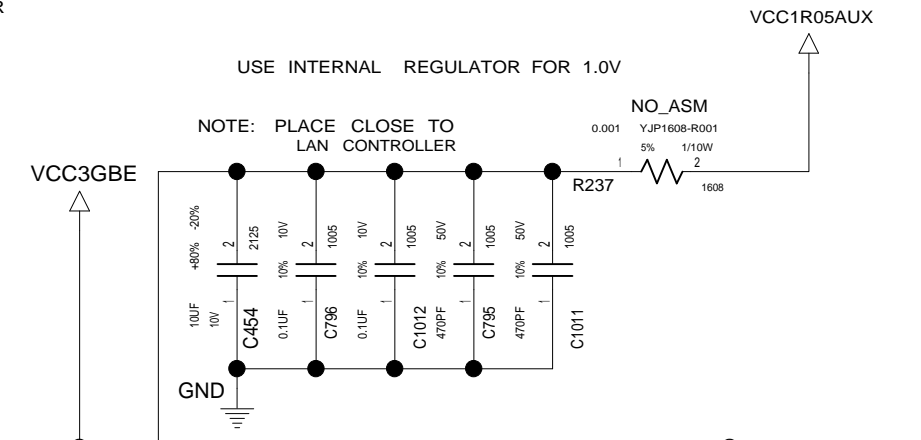
NOTE: PLACE GLAN_CLK SERIES RESISTOR CLOSE TO LAN CONTROLLER



NOTE: PLACE CLOSE TO LAN CONTROLLER



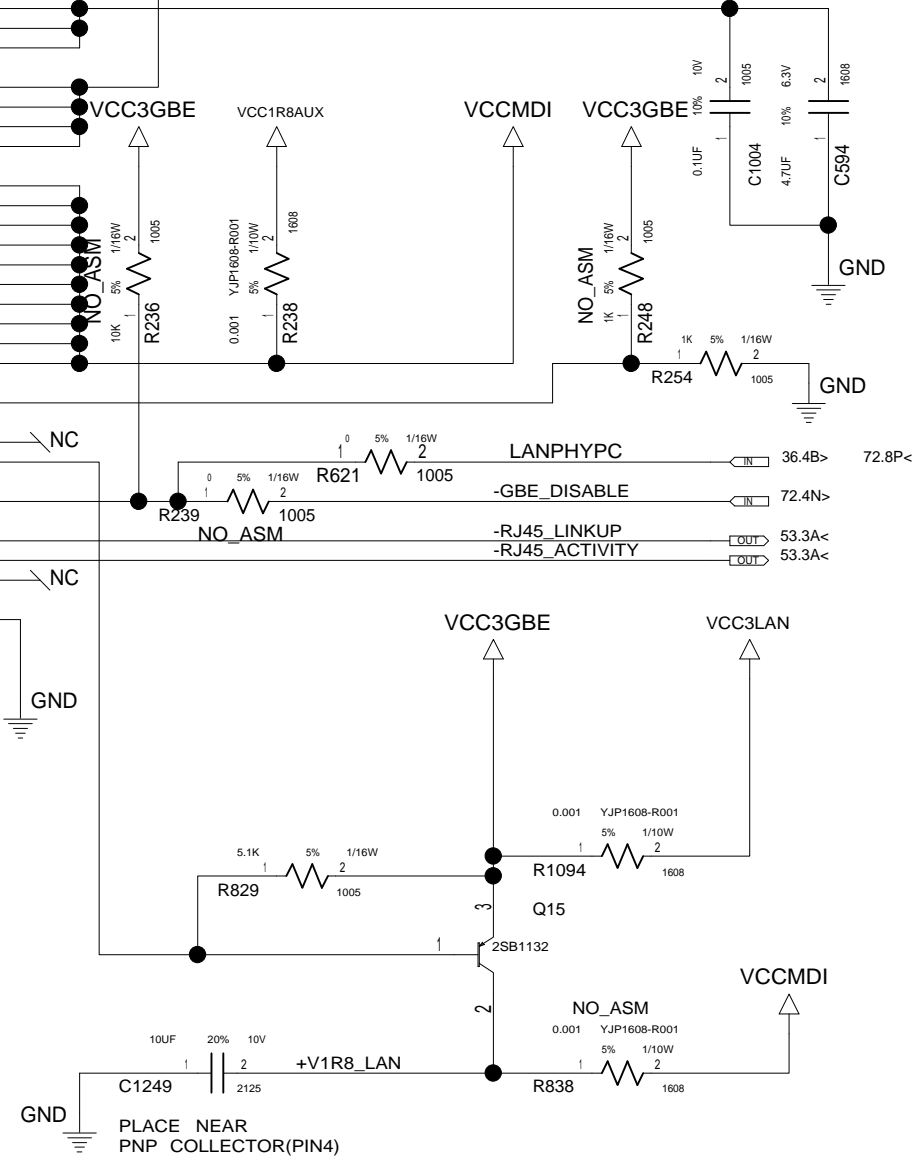
NOTE: KEEP THIS RESISTOR ON THE TOP SIDE



USE INTERNAL REGULATOR FOR 1.0V

NOTE: PLACE CLOSE TO LAN CONTROLLER

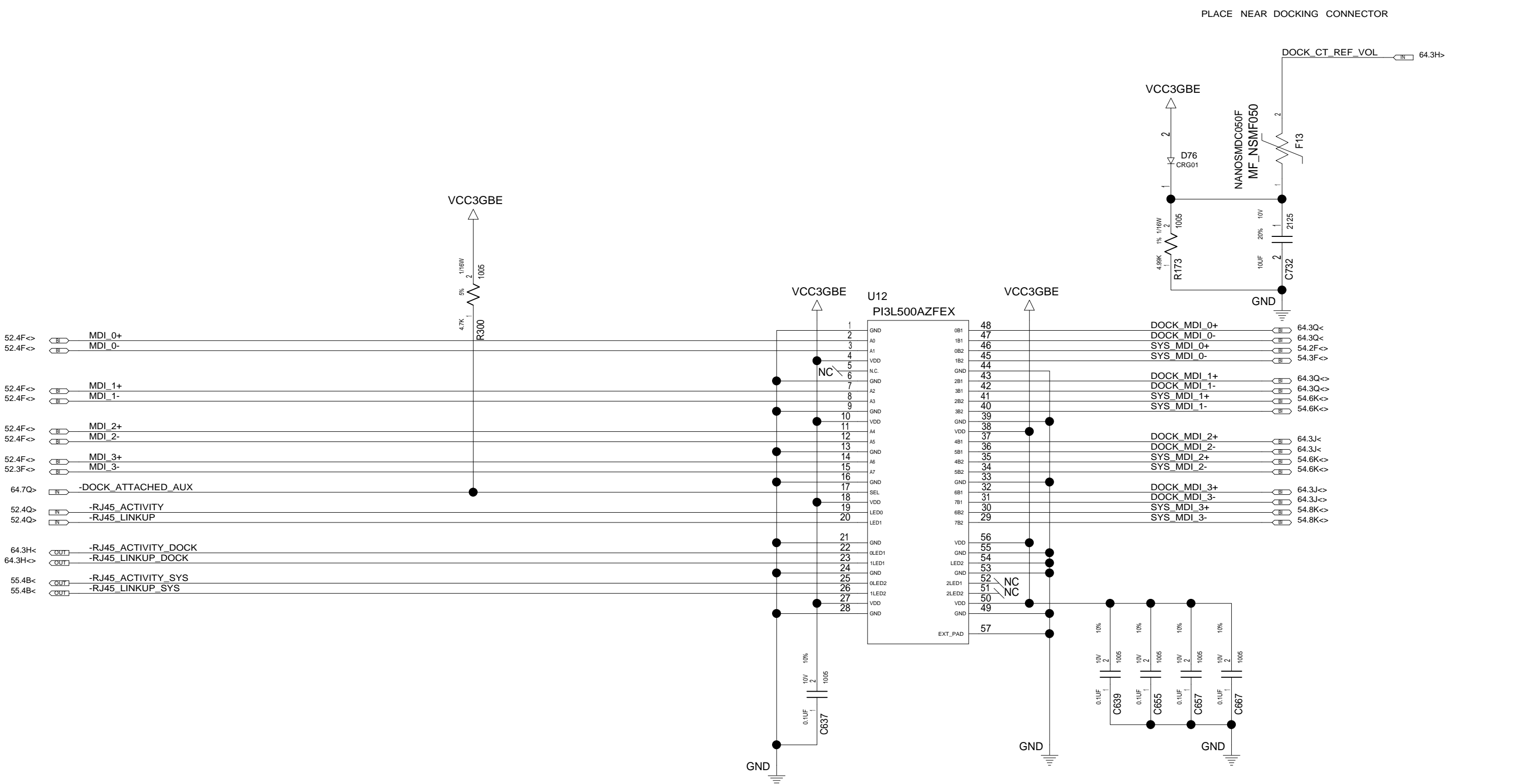
AFTER INTEL'S EVALUATION, WE WILL DESIDE TO USE VCC1R8AUX OR VCC2R5AUX.



PLACE NEAR PNP COLLECTOR(PIN4)

DESIGNER	Y.Y	10/19/07	PART NO.
CHECKED	Y.I	10/19/07	VER.0.11
APPROVED	H.K	10/19/07	TITLE MLB-3 INT SDV
CLASS	H.K	10/19/07	GBE BOAZMAN
THIS DOCUMENT IS THE PROPERTY OF LENOVO.ITS USE IS AUTHORIZED ONLY FOR RESPONDING TO A REQUEST FOR QUOTATION OR FOR THE PERFORMANCE OF WORK FOR LENOVO.ALL QUESTIONS MUST BE REFERRED TO THE LENOVO PURCHASING DEPARTMENT.			LENOVO CONFIDENTIAL

REL	DATE	EC NO.	PART NO. VER.0.11	
			DEVELOPMENT NO.	Q/M 53 / 101



VER.0.11

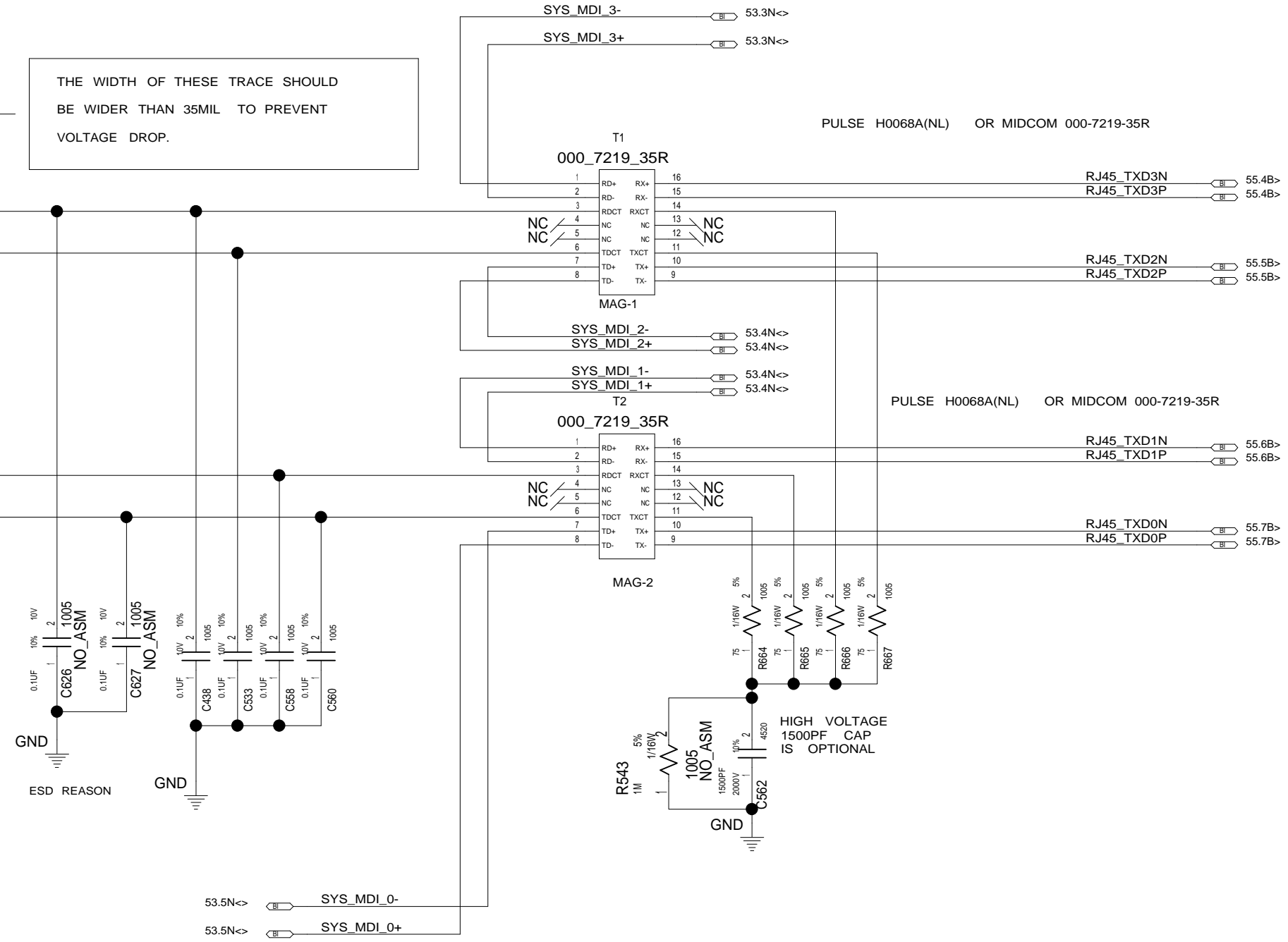
DESIGNER	Y.Y	10/19/07	PART NO. VER.0.11	
CHECKED	Y.I	10/19/07	TITLE MLB-3 INT SDV	
APPROVED	H.K	10/19/07	GBE LAN SWITCH	
CLASS	H.K	10/19/07	LENOVO CONFIDENTIAL	

THIS DOCUMENT IS THE PROPERTY OF LENOVO. ITS USE IS AUTHORIZED ONLY FOR RESPONDING TO A REQUEST FOR QUOTATION OR FOR THE PERFORMANCE OF WORK FOR LENOVO. ALL QUESTIONS MUST BE REFERRED TO THE LENOVO PURCHASING DEPARTMENT.

	DATE	EC NO.	PART NO.	
REL			VER.0.11	
			DEVELOPMENT NO.	Q/M
				54 / 101

VCCMDI

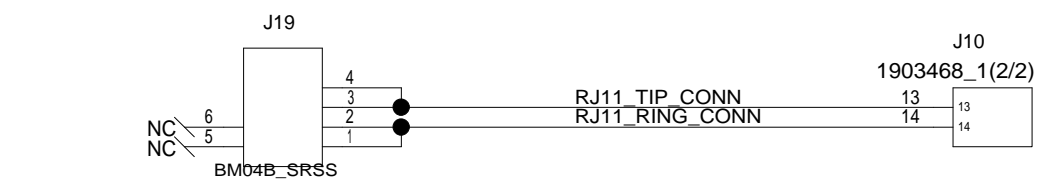
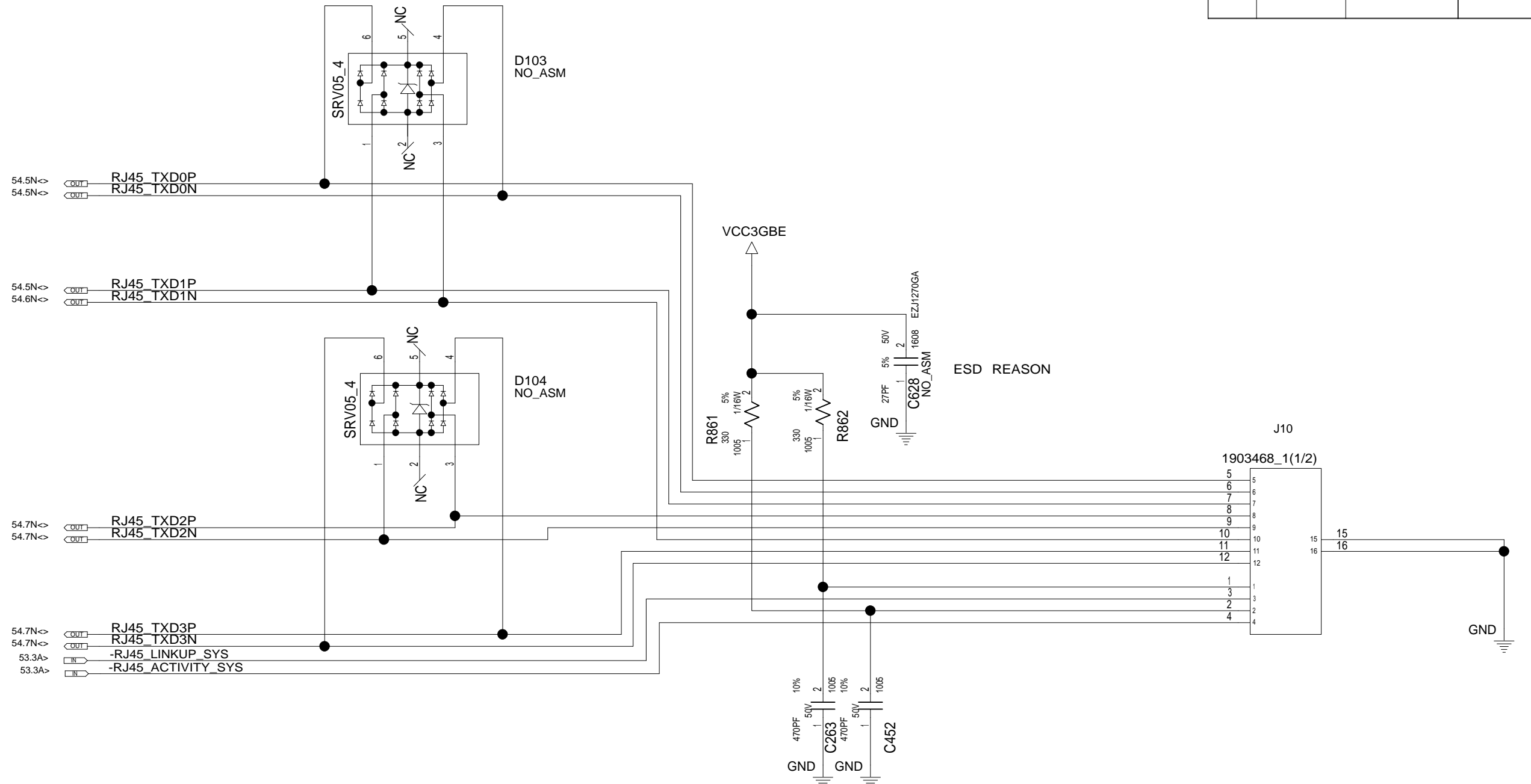
THE WIDTH OF THESE TRACE SHOULD BE WIDER THAN 35MIL TO PREVENT VOLTAGE DROP.



VER.0.11

DESIGNER	Y.Y	10/19/07	PART NO.	
CHECKED	Y.I	10/19/07	VER.0.11	
APPROVED	H.K	10/19/07	TITLE MLB-3 INT SDV	
CLASS	H.K	10/19/07	GBE MAGNETICS	
THIS DOCUMENT IS THE PROPERTY OF LENOVO. ITS USE IS AUTHORIZED ONLY FOR RESPONDING TO A REQUEST FOR QUOTATION OR FOR THE PERFORMANCE OF WORK FOR LENOVO. ALL QUESTIONS MUST BE REFERRED TO THE LENOVO PURCHASING DEPARTMENT.			LENOVO CONFIDENTIAL	

	DATE	EC NO.	PART NO.	
REL			VER.0.11	
			DEVELOPMENT NO.	Q/M
				55 / 101

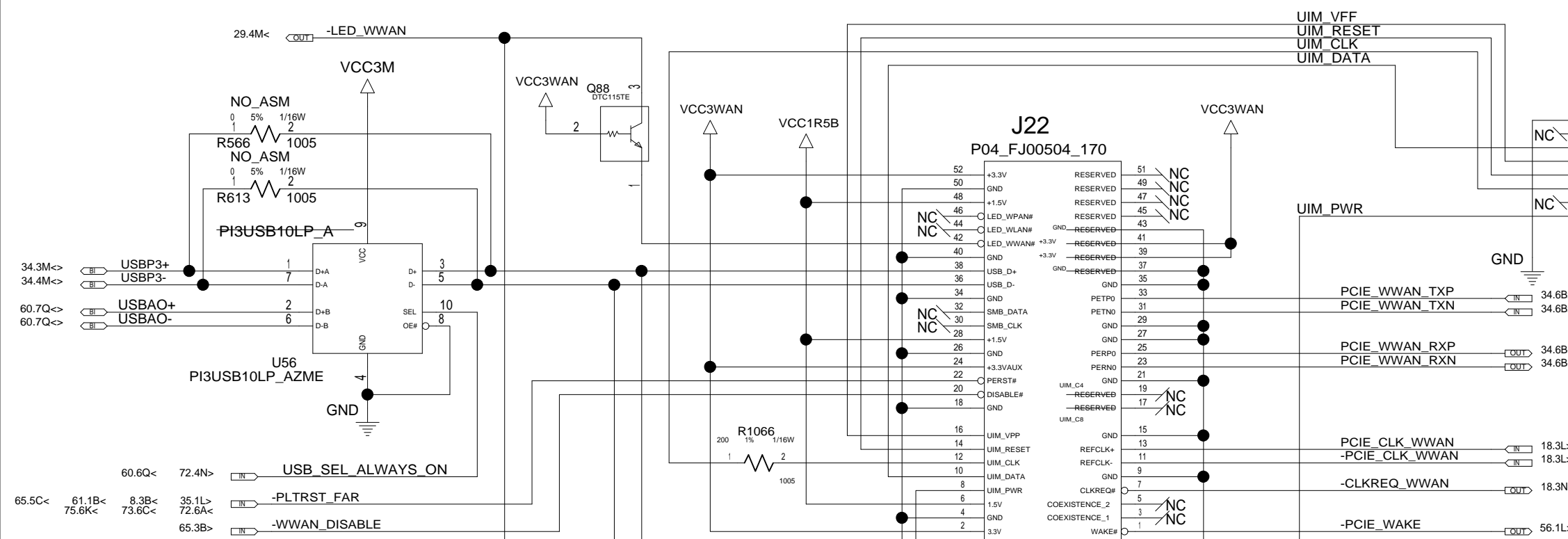


VER.0.11

DESIGNER	Y.Y	10/19/07	PART NO.	
CHECKED	Y.I	10/19/07	VER.0.11	
APPROVED	H.K	10/19/07	TITLE MLB-3 INT SDV	
CLASS	H.K	10/19/07	RJ11/RJ45 CONNECTOR	
THIS DOCUMENT IS THE PROPERTY OF LENOVO. ITS USE IS AUTHORIZED ONLY FOR RESPONDING TO A REQUEST FOR QUOTATION OR FOR THE PERFORMANCE OF WORK FOR LENOVO. ALL QUESTIONS MUST BE REFERRED TO THE LENOVO PURCHASING DEPARTMENT.			LENOVO CONFIDENTIAL	

MINI PCIE CONN-1 FOR WWAN

DATE	EC NO.	PART NO.	
REL		VER.0.11	
		DEVELOPMENT NO.	Q/M
			56 / 101



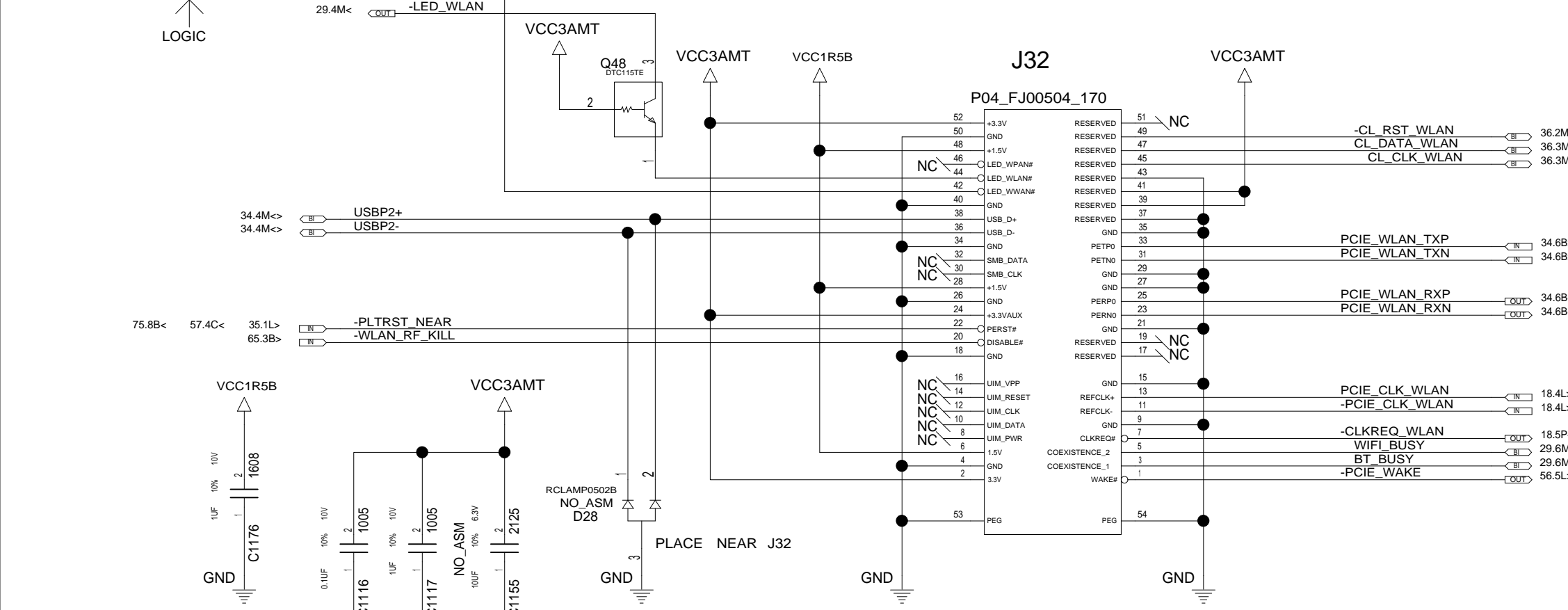
TABLE

ALWAYS ON	YES	NO
U56	ASM	NO_ASM
R566	NO_ASM	ASM
R613	NO_ASM	ASM

TABLE

	WWWAN	W/O WWAN
J22	ASM	NO_ASM
J25	ASM	NO_ASM
C1118	ASM	NO_ASM
C1119	ASM	NO_ASM
R1066	ASM	NO_ASM
Q88	ASM	NO_ASM
ALWAYS ON	YES/NO	NO
R566	NO_ASM/ASM	NO_ASM
R613	NO_ASM/ASM	NO_ASM

MINI PCIE CONN-2 FOR WLAN

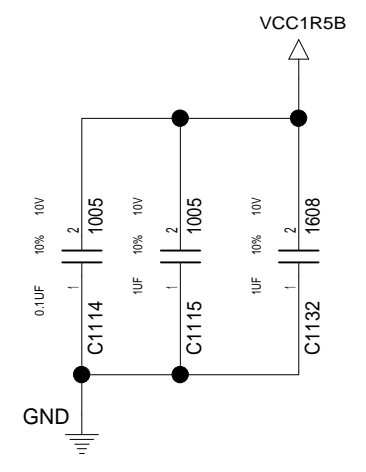
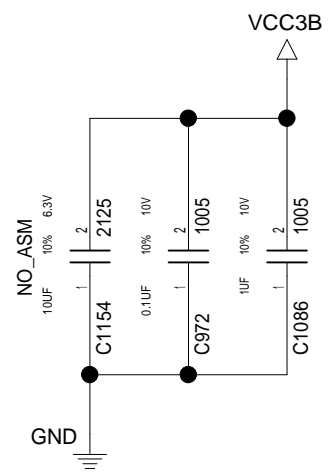
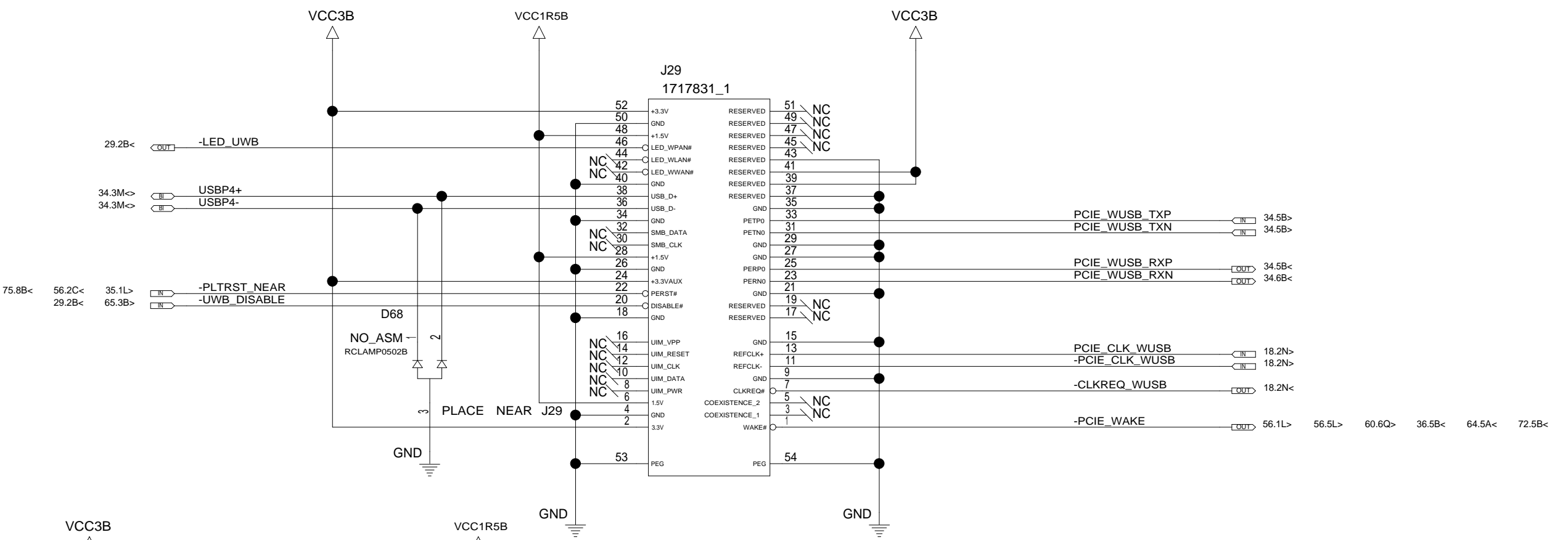


VER.0.11

DESIGNER	Y.Y	10/19/07	PART NO.	
CHECKED	Y.I	10/19/07	VER.0.11	
APPROVED	H.K	10/19/07	TITLE MLB-3 INT SDV	
CLASS	H.K	10/19/07	PCIE MINI CARD SLOT	
THIS DOCUMENT IS THE PROPERTY OF LENOVO. ITS USE IS AUTHORIZED ONLY FOR RESPONDING TO A REQUEST FOR QUOTATION OR FOR THE PERFORMANCE OF WORK FOR LENOVO. ALL QUESTIONS MUST BE REFERRED TO THE LENOVO PURCHASING DEPARTMENT.				
LENOVO CONFIDENTIAL				

MICRO PCIE CONN

	DATE	EC NO.	PART NO.	
REL			VER.0.11	
			DEVELOPMENT NO.	Q/M
				57 / 101



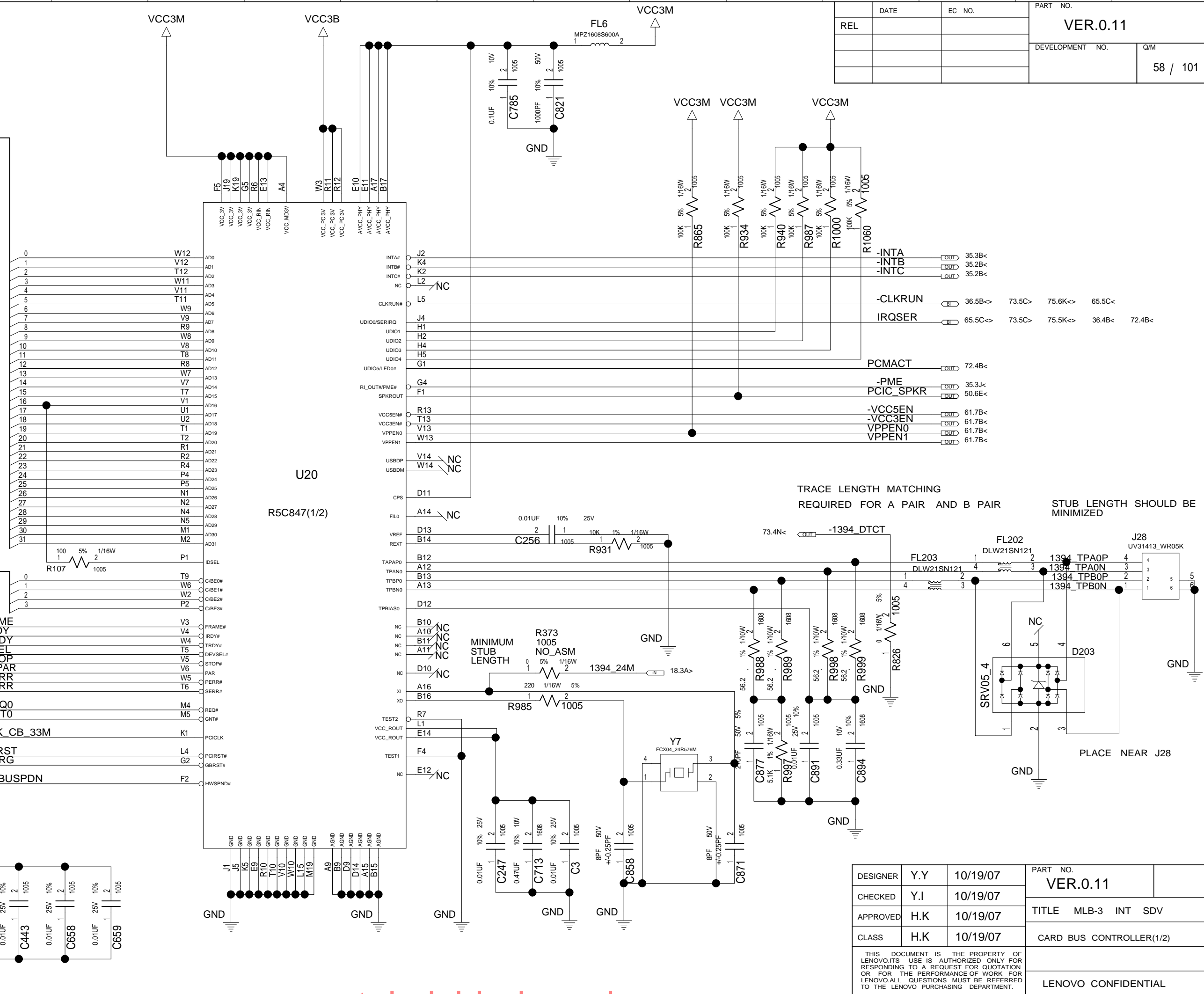
VER.0.11

DESIGNER	Y.Y	10/19/07	PART NO.	
CHECKED	Y.I	10/19/07	VER.0.11	
APPROVED	H.K	10/19/07	TITLE MLB-3 INT SDV	
CLASS	H.K	10/19/07	PCIE HALF MINI CARD SLOT	
THIS DOCUMENT IS THE PROPERTY OF LENOVO. ITS USE IS AUTHORIZED ONLY FOR RESPONDING TO A REQUEST FOR QUOTATION OR FOR THE PERFORMANCE OF WORK FOR LENOVO. ALL QUESTIONS MUST BE REFERRED TO THE LENOVO PURCHASING DEPARTMENT.			LENOVO CONFIDENTIAL	

REL	DATE	EC NO.	PART NO.
			VER.0.11
			DEVELOPMENT NO.
			Q/M
			58 / 101

TABLE 1394

1394	NO	YES
U20	R5C804	R5C847/R5C803
FL6	0 OHM	MPZ1608S600A
R931	NO_ASM	ASM
C256	NO_ASM	ASM
R988	NO_ASM	ASM
R989	NO_ASM	ASM
R998	NO_ASM	ASM
R999	NO_ASM	ASM
C877	NO_ASM	ASM
R997	NO_ASM	ASM
C891	NO_ASM	ASM
C894	NO_ASM	ASM
J28	NO_ASM	ASM
R985	NO_ASM	ASM
Y7	NO_ASM	ASM
C858	NO_ASM	ASM
C871	NO_ASM	ASM
R826	NO_ASM	ASM
D203	NO_ASM	ASM
FL202	NO_ASM	ASM
FL203	NO_ASM	ASM



DESIGNER	Y.Y	10/19/07	PART NO.
CHECKED	Y.I	10/19/07	VER.0.11
APPROVED	H.K	10/19/07	TITLE MLB-3 INT SDV
CLASS	H.K	10/19/07	CARD BUS CONTROLLER(1/2)
THIS DOCUMENT IS THE PROPERTY OF LENOVO. ITS USE IS AUTHORIZED ONLY FOR RESPONDING TO A REQUEST FOR QUOTATION OR FOR THE PERFORMANCE OF WORK FOR LENOVO. ALL QUESTIONS MUST BE REFERRED TO THE LENOVO PURCHASING DEPARTMENT.			LENOVO CONFIDENTIAL

VER.0.11

REL	DATE	EC NO.	PART NO. VER.0.11	
			DEVELOPMENT NO.	Q/M 59 / 101

60.8A< OUT A_CADDR<25..0>

60.7A<> IN A_DBUS<15..0>

A_CADDR16: CARDBUS CLK 33MHZ

U20
R5C847(2/2)

- 0 E16 A0/CAD26 MDIO00 B1
- 1 F18 A1/CAD25 MDIO01 A2
- 2 F15 A2/CAD24 MDIO02 A3
- 3 G18 A3/CAD23 MDIO03 B3
- 4 G15 A4/CAD22 MDIO04 B4
- 5 H18 A5/CAD21 MDIO05 A5
- 6 H15 A6/CAD20 MDIO06 B5
- 7 J16 A7/CAD18 MDIO07 D5
- 8 P15 A8/CCBE1# MDIO08 A6
- 9 R19 A9/CAD14 MDIO09 B6
- 10 U19 A10/CAD9 MDIO10 D6
- 11 R18 A11/CAD12 MDIO11 E6
- 12 K18 A12/CCBE2# MDIO12 A7
- 13 N15 A13/CPAR MDIO13 B7
- 14 N18 A14/CPERR# MDIO14 D7
- 15 K15 A15/CRDY# MDIO15 E7
- 16 L19 A16/CCLK MDIO16 A8
- 17 R106 A17/CAD16 MDIO17 B8
- 18 N16 A18 MDIO18 D8
- 19 N19 A19/CBLOCK# MDIO19 E8
- 20 M16 A20/CSTOP#
- 21 L18 A21/CDEVSEL#
- 22 L16 A22/CTRDY#
- 23 K16 A23/CFRAME#
- 24 J15 A24/CAD17
- 25 J18 A25/CAD19

- 0 E19 D0/CAD27
- 1 D19 D1/CAD29
- 2 C19 D2
- 3 R14 D3/CAD0
- 4 T15 D4/CAD1
- 5 W15 D5/CAD3
- 6 W16 D6/CAD5
- 7 W17 D7/CAD7
- 8 D18 D8/CAD28
- 9 C18 D9/CAD30
- 10 B19 D10/CAD31
- 11 V15 D11/CAD2
- 12 V16 D12/CAD4
- 13 V17 D13/CAD6
- 14 W18 D14
- 15 U18 D15/CAD8

- E18 BVD1/STSCHG#
- F19 BVD2/CAUDIO
- T14 CD1#/CCD1#
- D15 CD2#/CCD2#
- V19 CE1#/CBCE0#
- T18 CE2#/CAD10
- G19 INPACK#
- P18 IORD#/CAD13
- P19 IOWR#/CAD15
- T19 OE#/CAD11
- M18 READY/CINT#
- F16 REG#/CBCE3#
- H19 RESET/CRST#
- R16 VS1#/CVS1
- H16 VS2#/CVS2
- G16 WAIT#/CSERR#
- M15 WE#/CGNT#
- A18 WP/CCLKRUN#

- XD CD0 IN 60.3L<
- XD CD1 IN 60.3L<
- XD CE OUT 60.3L<
- XD R -B IN 60.3K<
- MC_PWR OUT 61.7B<
- XD WP OUT 60.2L<
- XD LED OUT 60.1K>

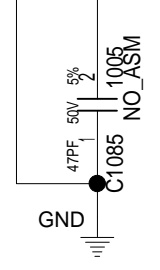
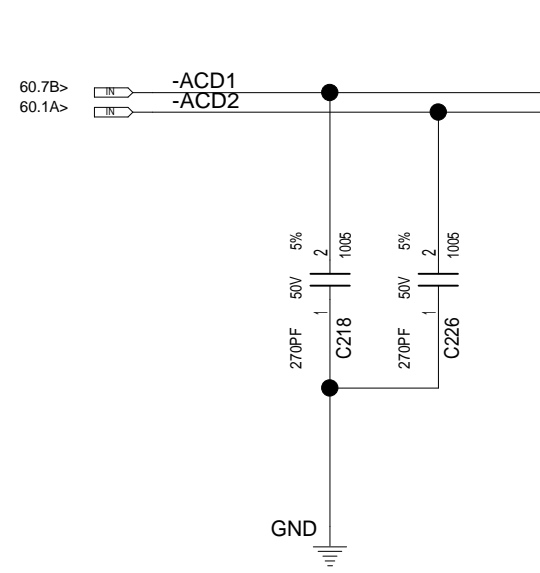
- XD WE OUT 60.2L<
- XD RE OUT 60.2K<
- XD D<7..0> BI 60.1L<>

- XD_CLE OUT 60.1K>
- XD_ALE OUT 60.1K>

-XD_RE(SD_CLK,MS_CLK)NEEDS GND GUARD

U20	R5C847	R5C804/ R5C803
R1001	ASM	NO_ASM

↑
LOGIC



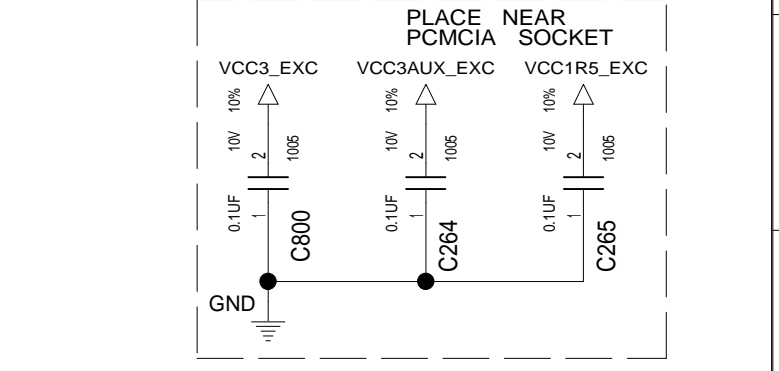
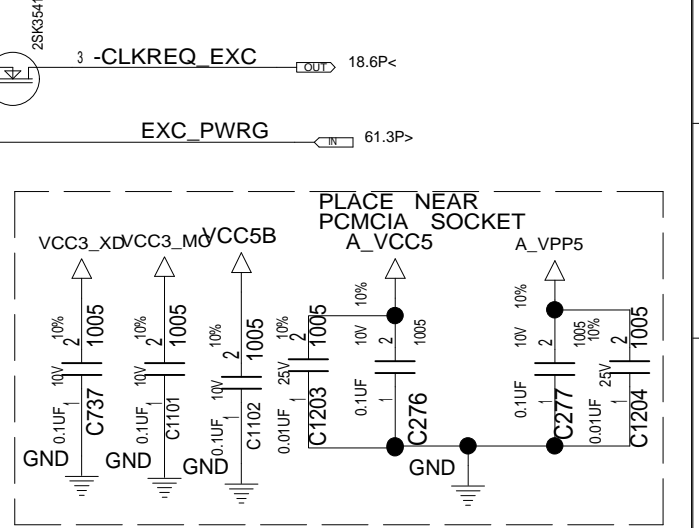
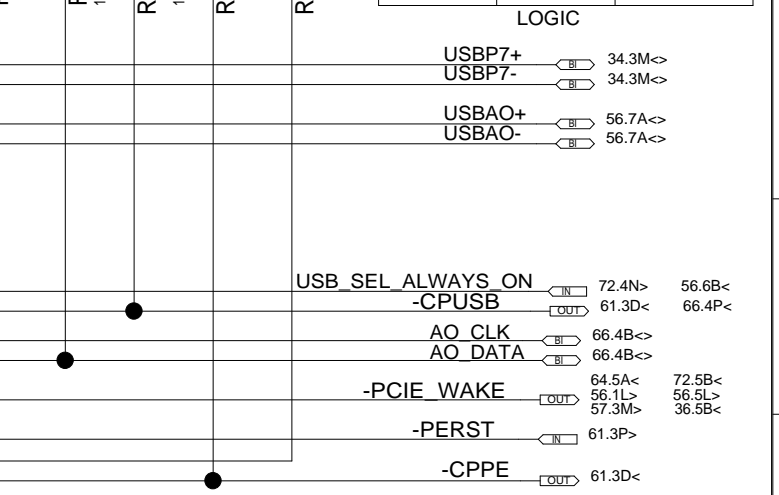
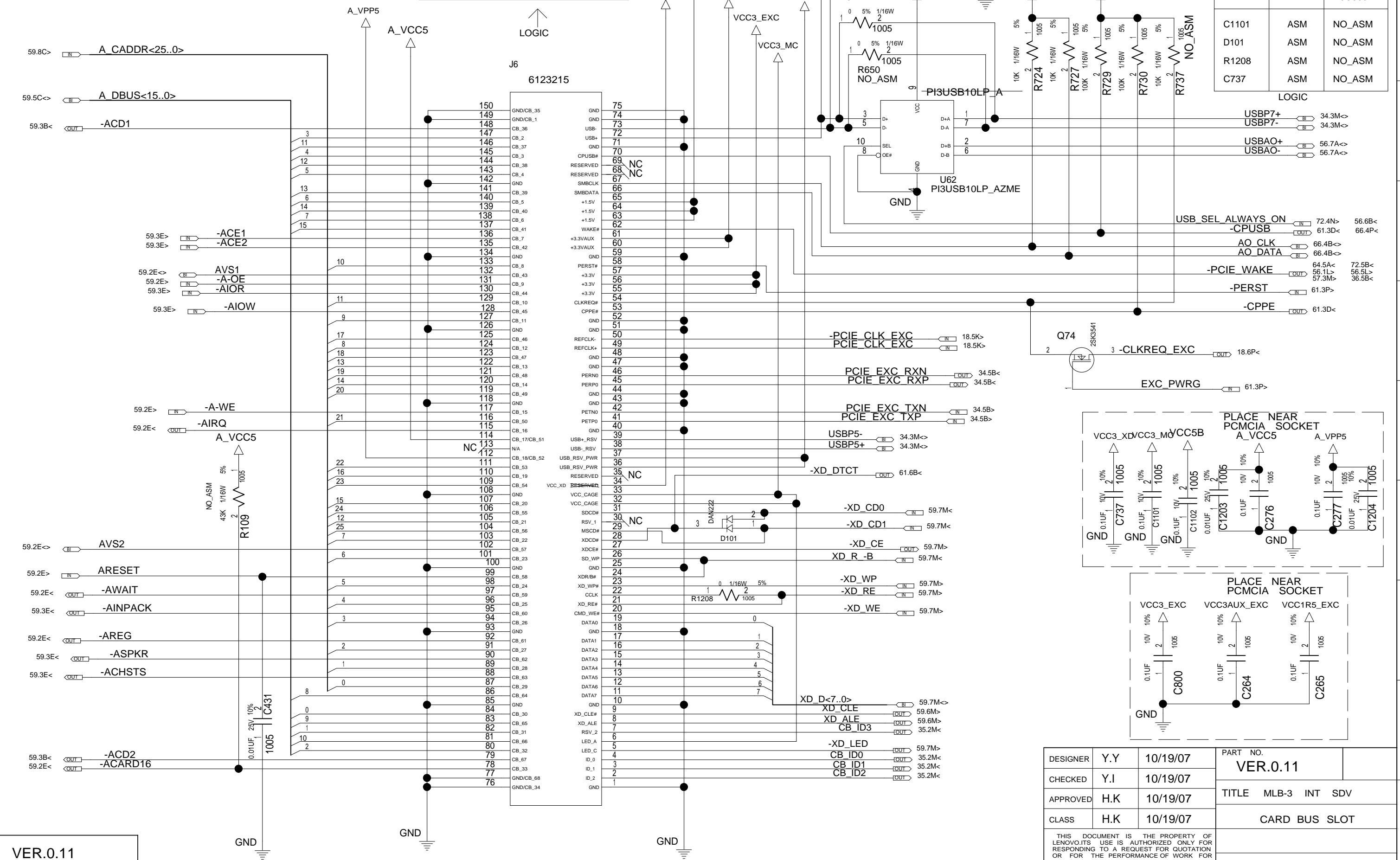
DESIGNER	Y.Y	10/19/07	PART NO. VER.0.11	
CHECKED	Y.I	10/19/07	TITLE MLB-3 INT SDV	
APPROVED	H.K	10/19/07	CARD BUS CONTROLLER(2/2)	
CLASS	H.K	10/19/07	LENOVO CONFIDENTIAL	

VER.0.11

TABLE		
ALWAYS ON	YES	NO
U62	ASM	NO_ASM
R614	NO_ASM	ASM
R650	NO_ASM	ASM

REL	DATE	EC NO.	PART NO.	
			VER.0.11	
			DEVELOPMENT NO.	Q/M
				60 / 101

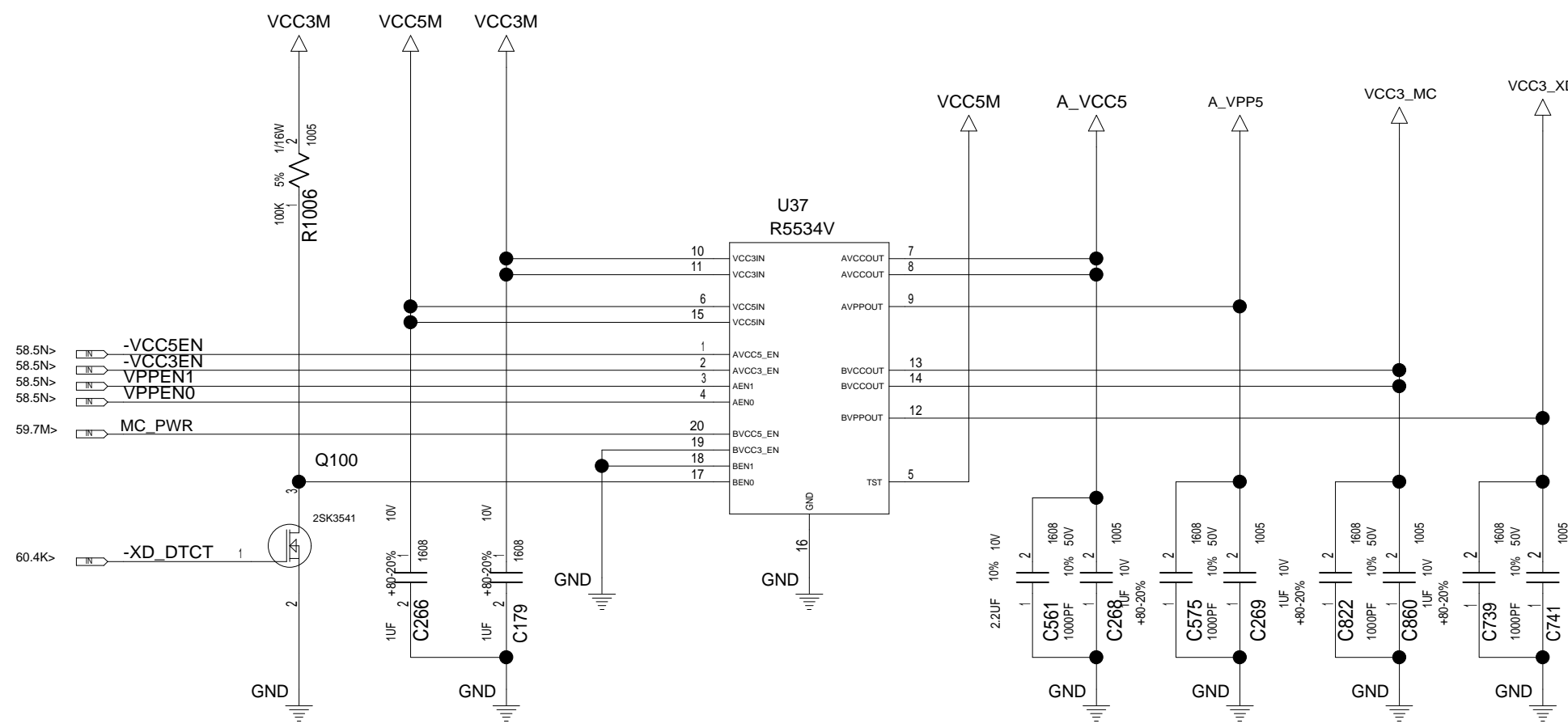
	U20	R5C847	R5C804/ R5C803
C1101	ASM	NO_ASM	
D101	ASM	NO_ASM	
R1208	ASM	NO_ASM	
C737	ASM	NO_ASM	



DESIGNER	Y.Y	10/19/07	PART NO.	
CHECKED	Y.I	10/19/07	VER.0.11	
APPROVED	H.K	10/19/07	TITLE MLB-3 INT SDV	
CLASS	H.K	10/19/07	CARD BUS SLOT	
THIS DOCUMENT IS THE PROPERTY OF LENOVO. ITS USE IS AUTHORIZED ONLY FOR RESPONDING TO A REQUEST FOR QUOTATION OR FOR THE PERFORMANCE OF WORK FOR LENOVO. ALL QUESTIONS MUST BE REFERRED TO THE LENOVO PURCHASING DEPARTMENT.			LENOVO CONFIDENTIAL	

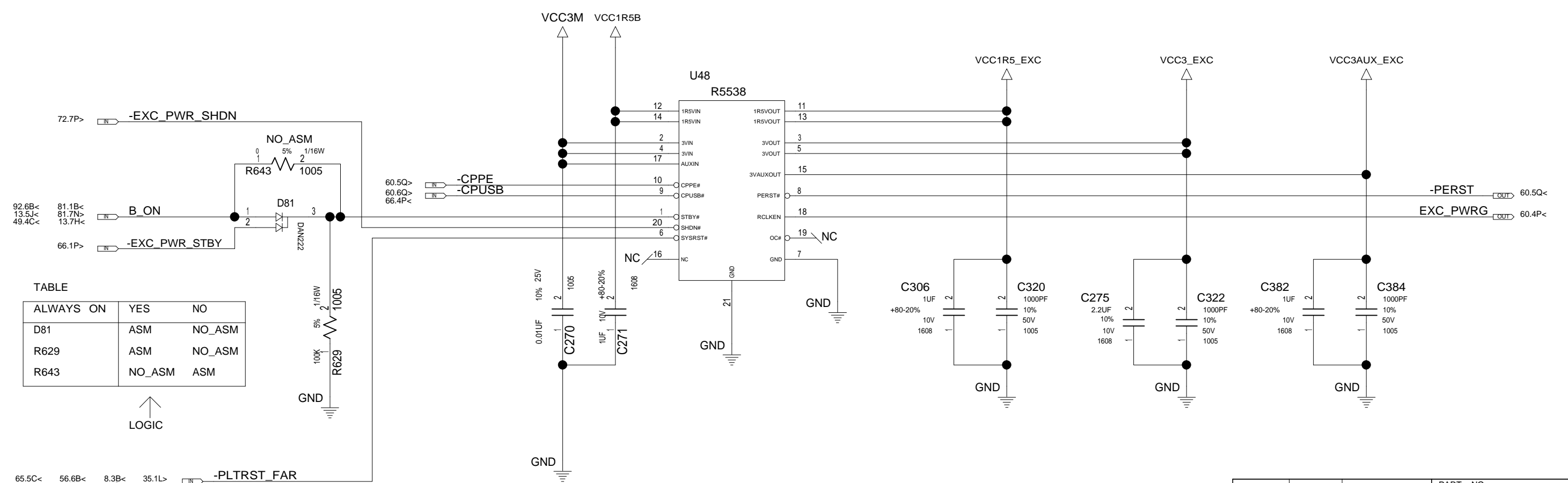
VER.0.11

	DATE	EC NO.	PART NO.	
REL			VER.0.11	
			DEVELOPMENT NO.	Q/M
				61 / 101



	U20	R5C847	R5C804/ R5C803
C822		ASM	NO_ASM
C860		ASM	NO_ASM
C739		ASM	NO_ASM
C741		ASM	NO_ASM

LOGIC



TABLE

ALWAYS ON	YES	NO
D81	ASM	NO_ASM
R629	ASM	NO_ASM
R643	NO_ASM	ASM

LOGIC

DESIGNER	Y.Y	10/19/07	PART NO.	
CHECKED	Y.I	10/19/07	VER.0.11	
APPROVED	H.K	10/19/07	TITLE MLB-3 INT SDV	
CLASS	H.K	10/19/07	CARD BUS POWER CONTROL	
THIS DOCUMENT IS THE PROPERTY OF LENOVO. ITS USE IS AUTHORIZED ONLY FOR RESPONDING TO A REQUEST FOR QUOTATION OR FOR THE PERFORMANCE OF WORK FOR LENOVO. ALL QUESTIONS MUST BE REFERRED TO THE LENOVO PURCHASING DEPARTMENT.			LENOVO CONFIDENTIAL	

VER.0.11

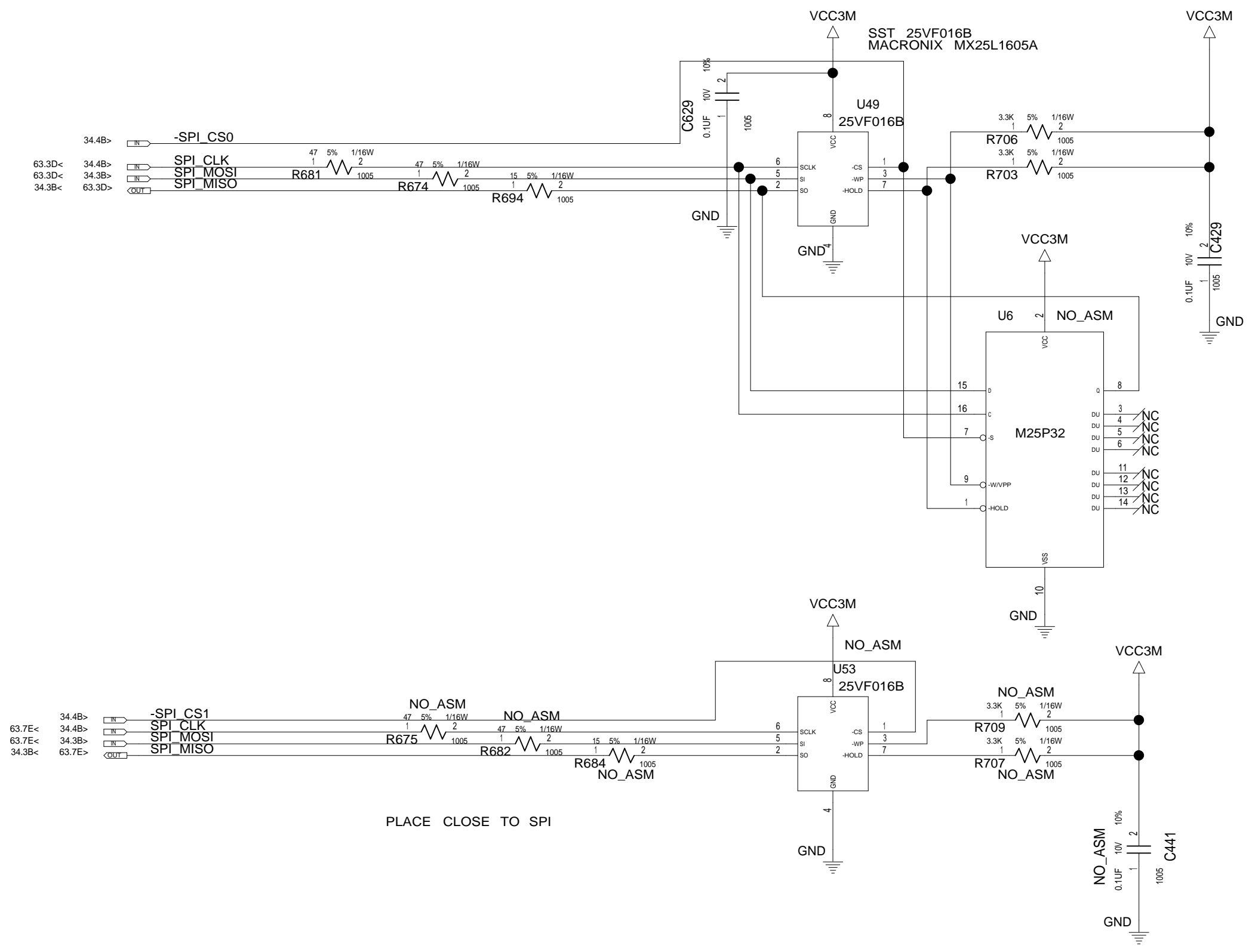
BLANK

	DATE	EC NO.	PART NO.	
REL			VER.0.11	
			DEVELOPMENT NO.	Q/M
				62 / 101

DESIGNER	Y.Y	10/19/07	PART NO.	
CHECKED	Y.I	10/19/07	VER.0.11	
APPROVED	H.K	10/19/07	TITLE MLB-3 INT SDV	
CLASS	H.K	10/19/07	BLANK	
THIS DOCUMENT IS THE PROPERTY OF LENOVO.ITS USE IS AUTHORIZED ONLY FOR RESPONDING TO A REQUEST FOR QUOTATION OR FOR THE PERFORMANCE OF WORK FOR LENOVO.ALL QUESTIONS MUST BE REFERRED TO THE LENOVO PURCHASING DEPARTMENT.			LENOVO CONFIDENTIAL	

VER.0.11

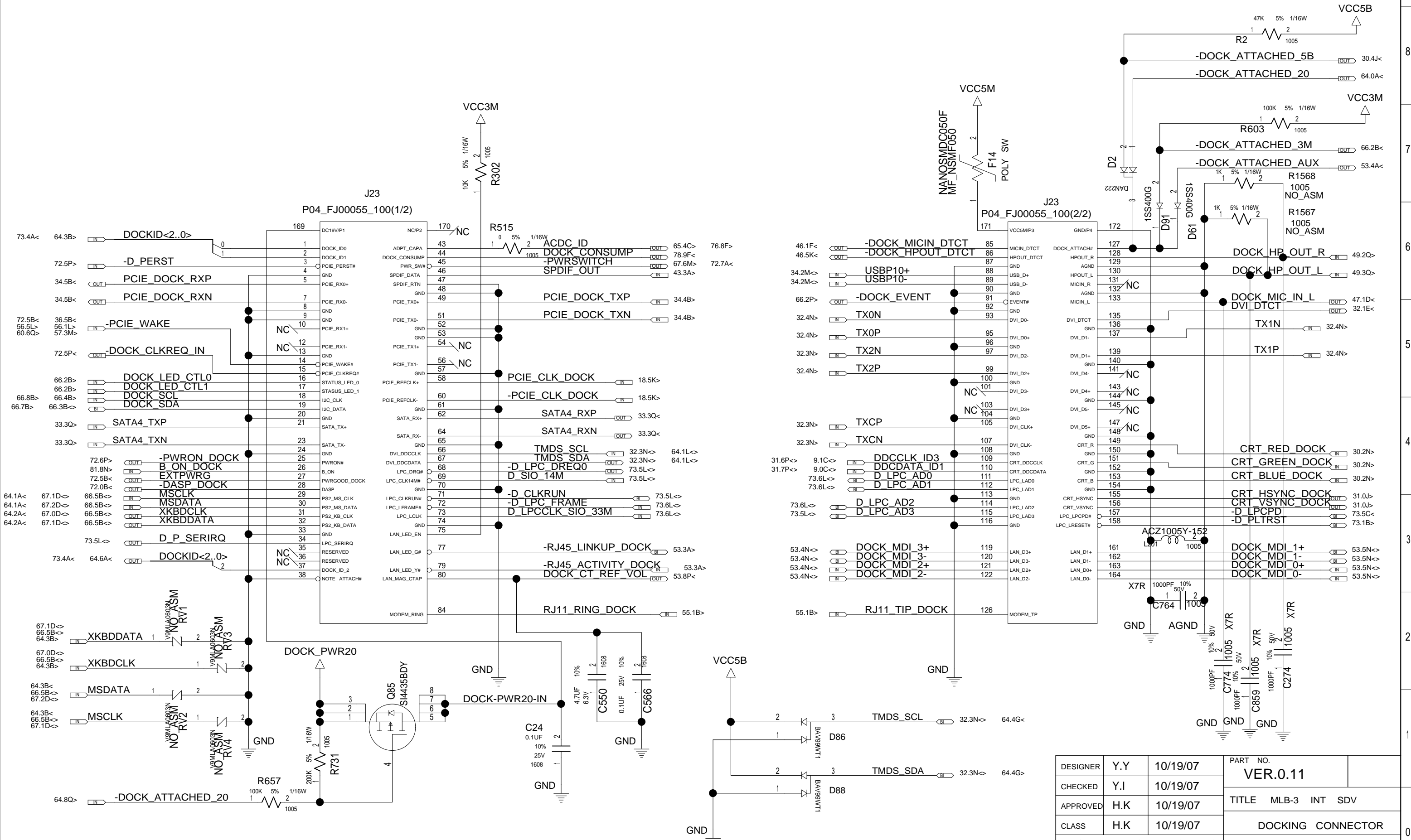
REL	DATE	EC NO.	PART NO.	
			VER.0.11	
			DEVELOPMENT NO.	Q/M
				63 / 101



VER.0.11

DESIGNER	Y.Y	10/19/07	PART NO.	
CHECKED	Y.I	10/19/07	VER.0.11	
APPROVED	H.K	10/19/07	TITLE MLB-3 INT SDV	
CLASS	H.K	10/19/07	SPI FLASH	
THIS DOCUMENT IS THE PROPERTY OF LENOVO. ITS USE IS AUTHORIZED ONLY FOR RESPONDING TO A REQUEST FOR QUOTATION OR FOR THE PERFORMANCE OF WORK FOR LENOVO. ALL QUESTIONS MUST BE REFERRED TO THE LENOVO PURCHASING DEPARTMENT.			LENOVO CONFIDENTIAL	

REL	DATE	EC NO.	PART NO.
			VER.0.11
			DEVELOPMENT NO.
			Q/M
			64 / 101

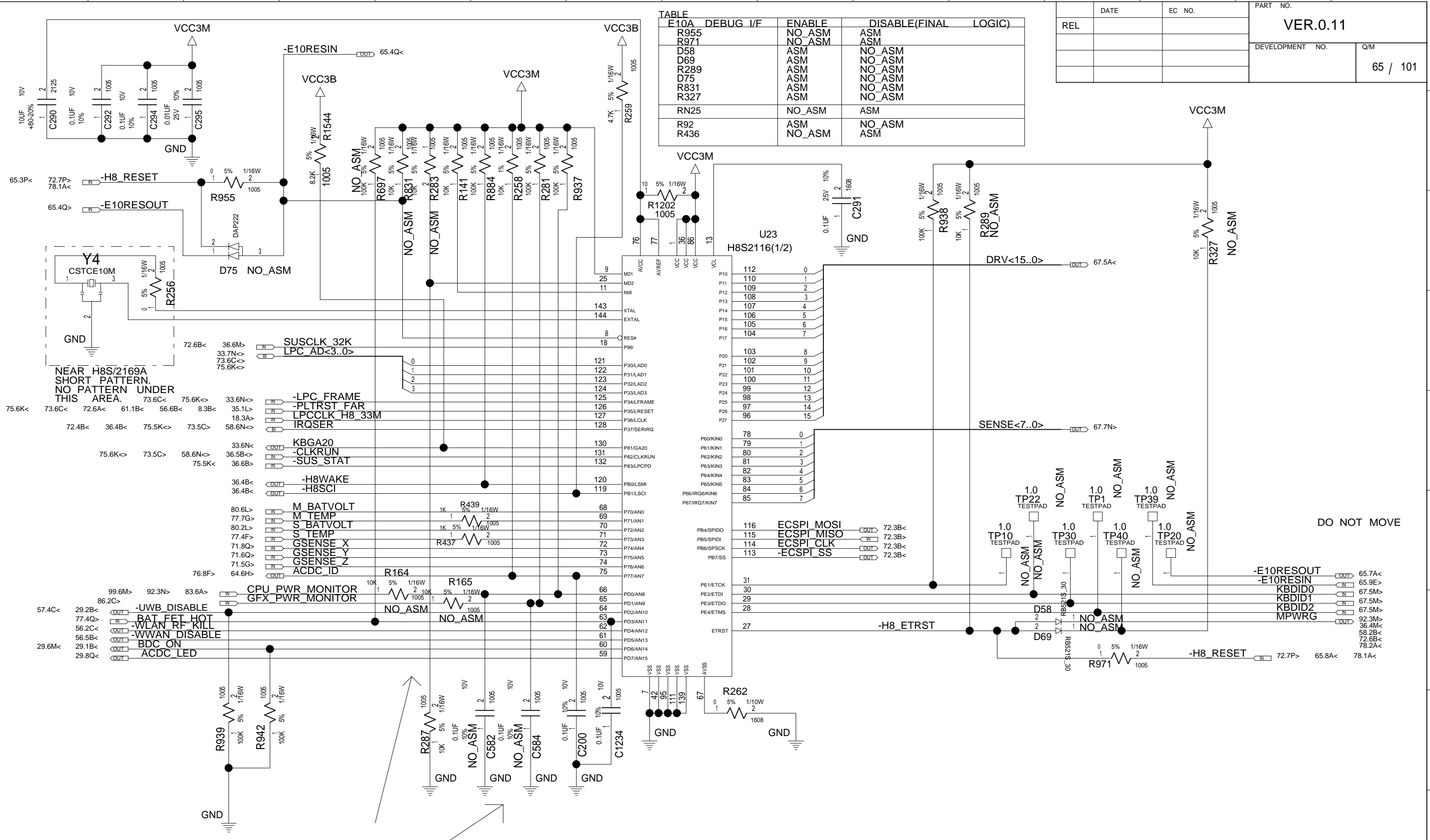


VER.0.11

DESIGNER	Y.Y	10/19/07	PART NO.
CHECKED	Y.I	10/19/07	VER.0.11
APPROVED	H.K	10/19/07	TITLE MLB-3 INT SDV
CLASS	H.K	10/19/07	DOCKING CONNECTOR
THIS DOCUMENT IS THE PROPERTY OF LENOVO. ITS USE IS AUTHORIZED ONLY FOR RESPONDING TO A REQUEST FOR QUOTATION OR FOR THE PERFORMANCE OF WORK FOR LENOVO. ALL QUESTIONS MUST BE REFERRED TO THE LENOVO PURCHASING DEPARTMENT.			LENOVO CONFIDENTIAL

REL	DATE	EC NO.	PART NO.	
			VER.0.11	
			DEVELOPMENT NO.	Q/M
				65 / 101

E10A	DEBUG I/F	ENABLE	DISABLE(FINAL LOGIC)
R955		NO_ASM	ASM
R971		NO_ASM	ASM
D58		ASM	NO_ASM
D69		ASM	NO_ASM
R289		ASM	NO_ASM
D75		ASM	NO_ASM
R831		ASM	NO_ASM
R327		ASM	NO_ASM
RN25		NO_ASM	ASM
R92		ASM	NO_ASM
R436		NO_ASM	ASM



NEAR H8S/2169A SHORT PATTERN. NO PATTERN UNDER THIS AREA.

DO NOT MOVE

PLACE NEAR H8

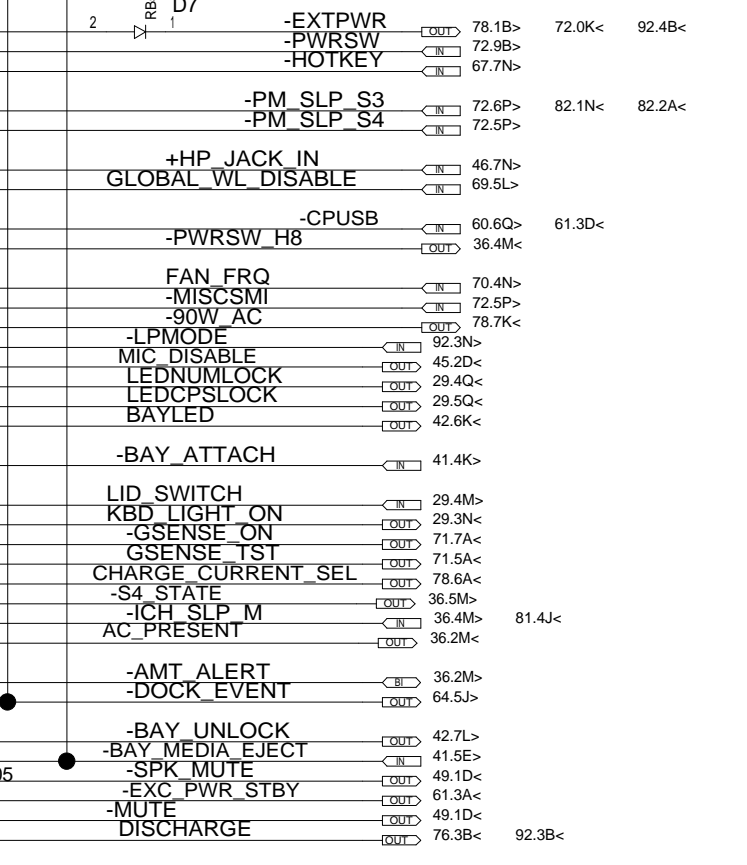
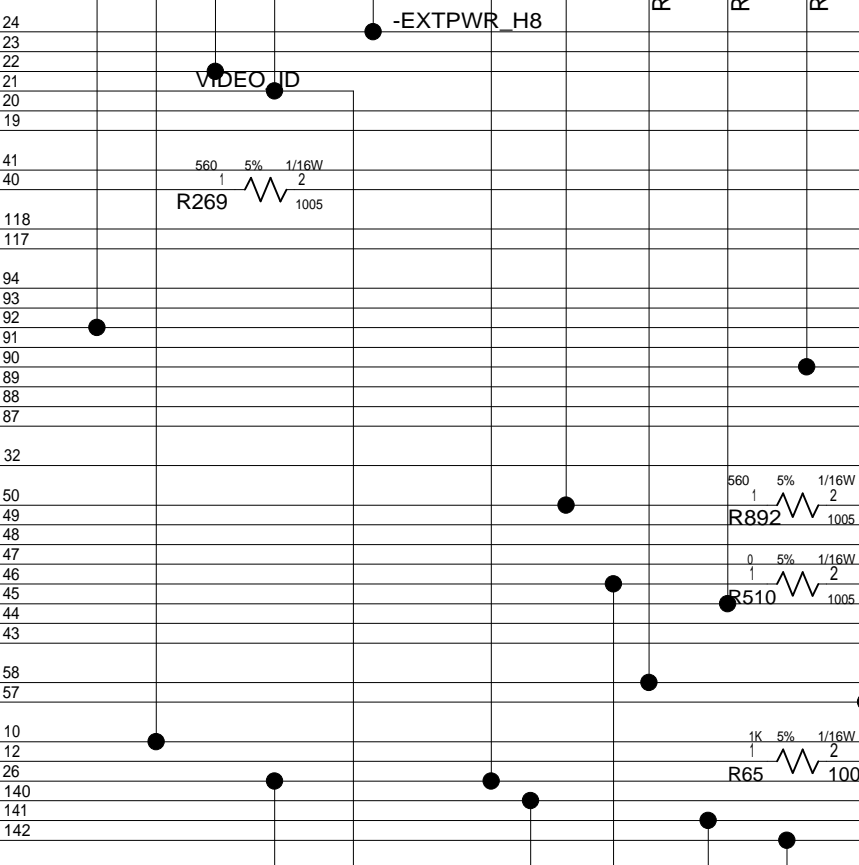
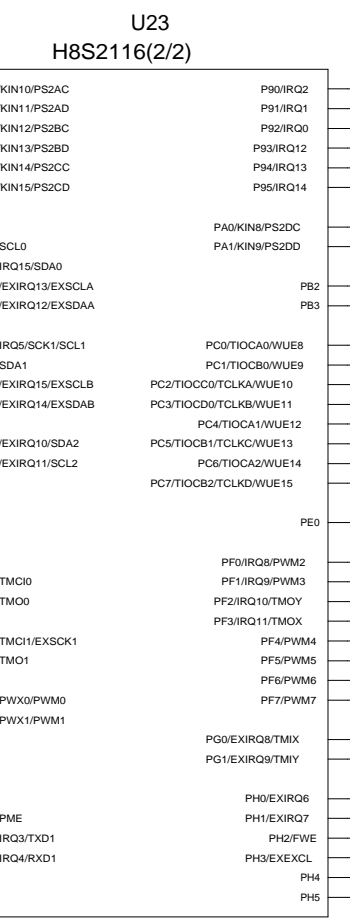
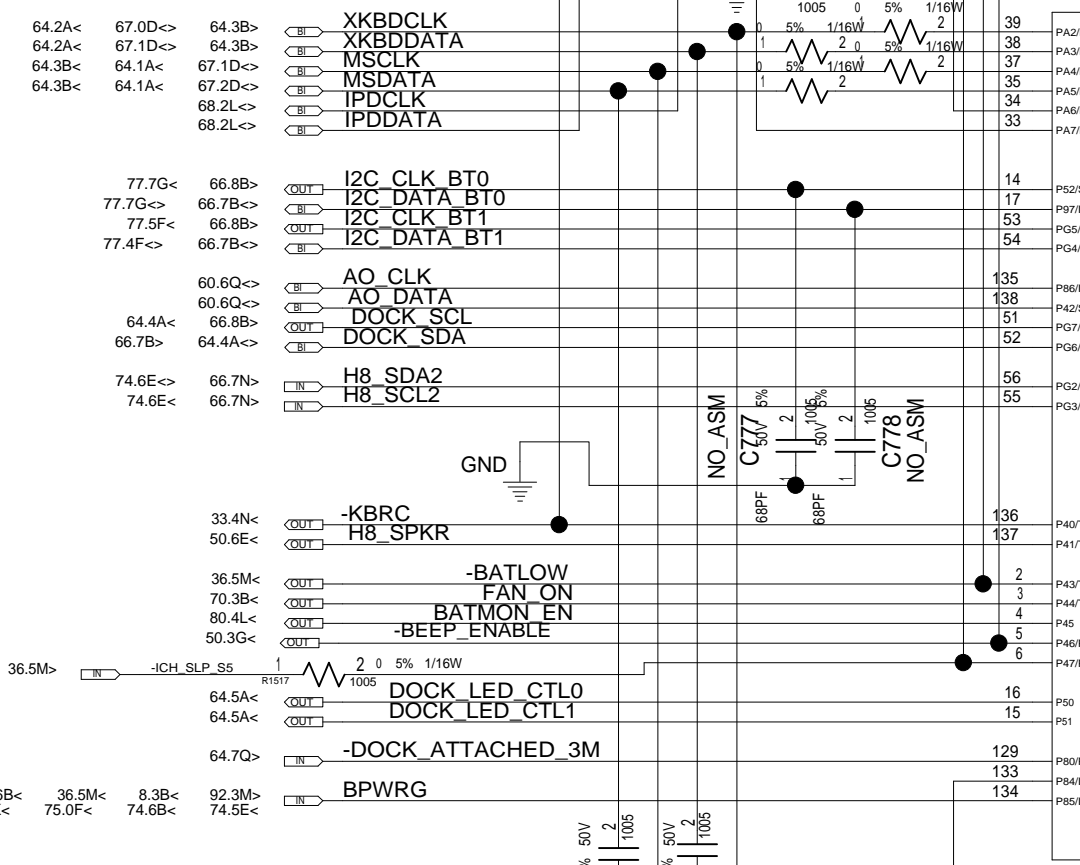
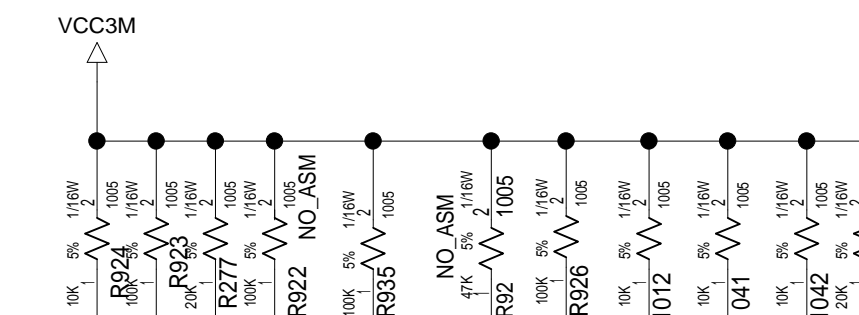
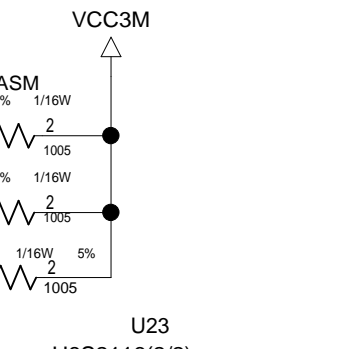
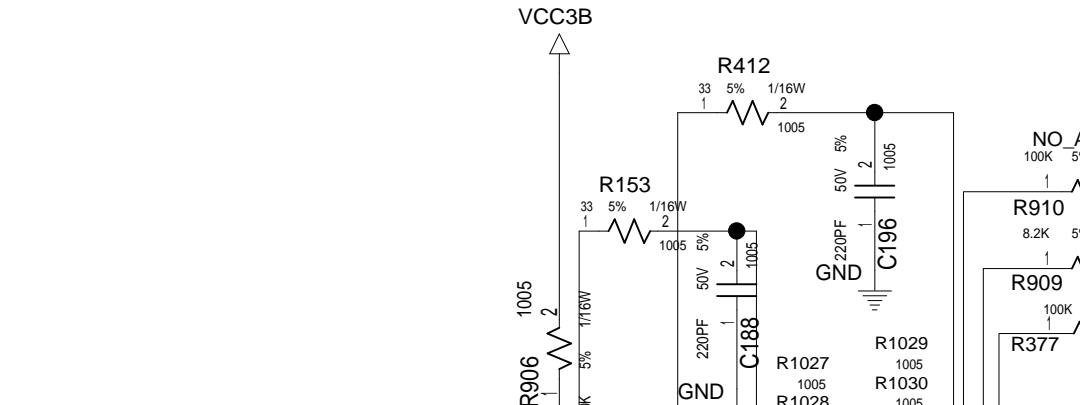
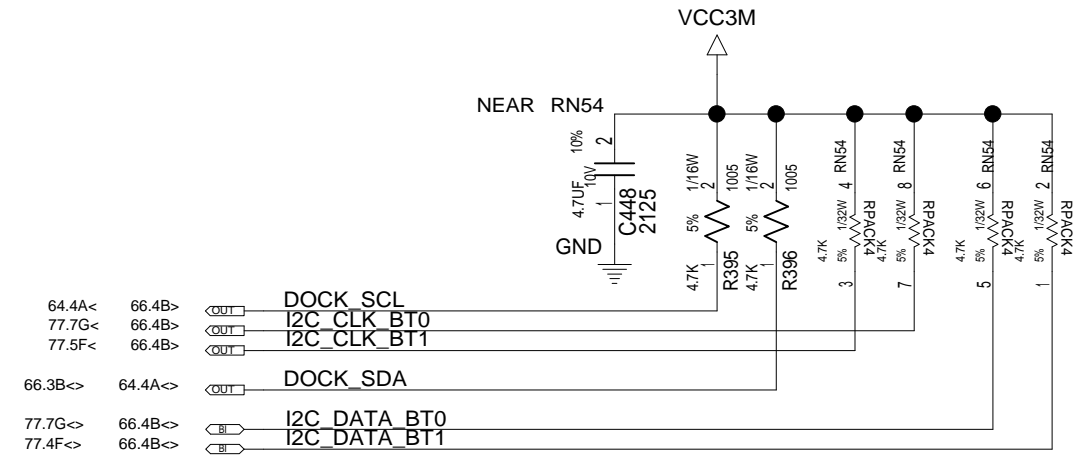
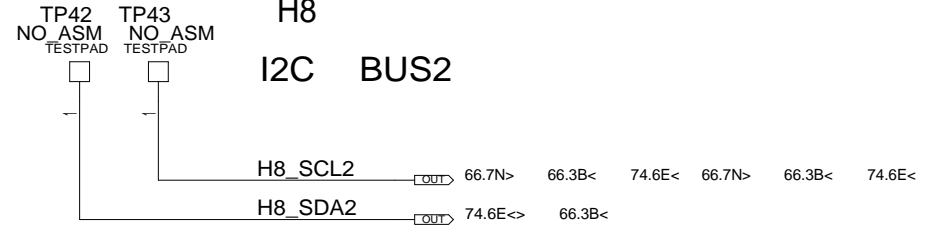
VER.0.11

DESIGNER	Y.Y	10/19/07	PART NO.	
CHECKED	Y.I	10/19/07	VER.0.11	
APPROVED	H.K	10/19/07	TITLE MLB-3 INT SDV	
CLASS	H.K	10/19/07	H8S/2116B (1/2)	
THIS DOCUMENT IS THE PROPERTY OF LENOVO. ITS USE IS AUTHORIZED ONLY FOR RESPONDING TO A REQUEST FOR QUOTATION OR FOR THE PERFORMANCE OF WORK FOR LENOVO. ALL QUESTIONS MUST BE REFERRED TO THE LENOVO PURCHASING DEPARTMENT.			LENOVO CONFIDENTIAL	

REL	DATE	EC NO.	PART NO.	
			VER.0.11	
			DEVELOPMENT NO.	Q/M
				66 / 101

TEST PAD X2
BOTTOM SIDE
DO NOT MOVE AFTER FIX

H8
I2C BUS2



TABLE

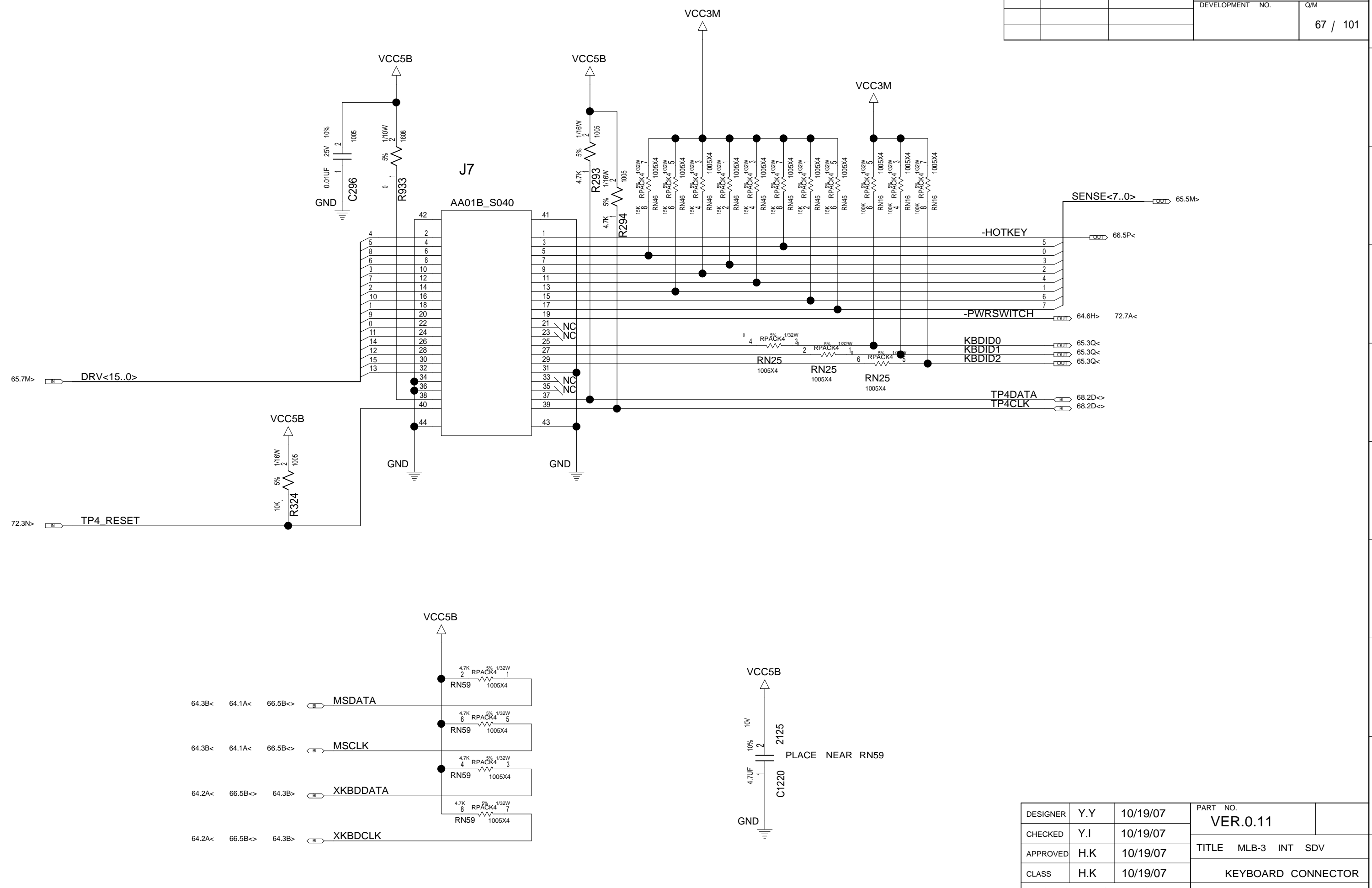
	GFX	EXT.	INT.
R922		ASM	NO_ASM
R925		NO_ASM	ASM

DESIGNER	Y.Y	10/19/07	PART NO.	
CHECKED	Y.I	10/19/07	VER.0.11	
APPROVED	H.K	10/19/07	TITLE MLB-3 INT SDV	
CLASS	H.K	10/19/07	H8S/2116B (2/2)	

THIS DOCUMENT IS THE PROPERTY OF LENOVO. ITS USE IS AUTHORIZED ONLY FOR RESPONDING TO A REQUEST FOR QUOTATION OR FOR THE PERFORMANCE OF WORK FOR LENOVO. ALL QUESTIONS MUST BE REFERRED TO THE LENOVO PURCHASING DEPARTMENT.

LENOVO CONFIDENTIAL

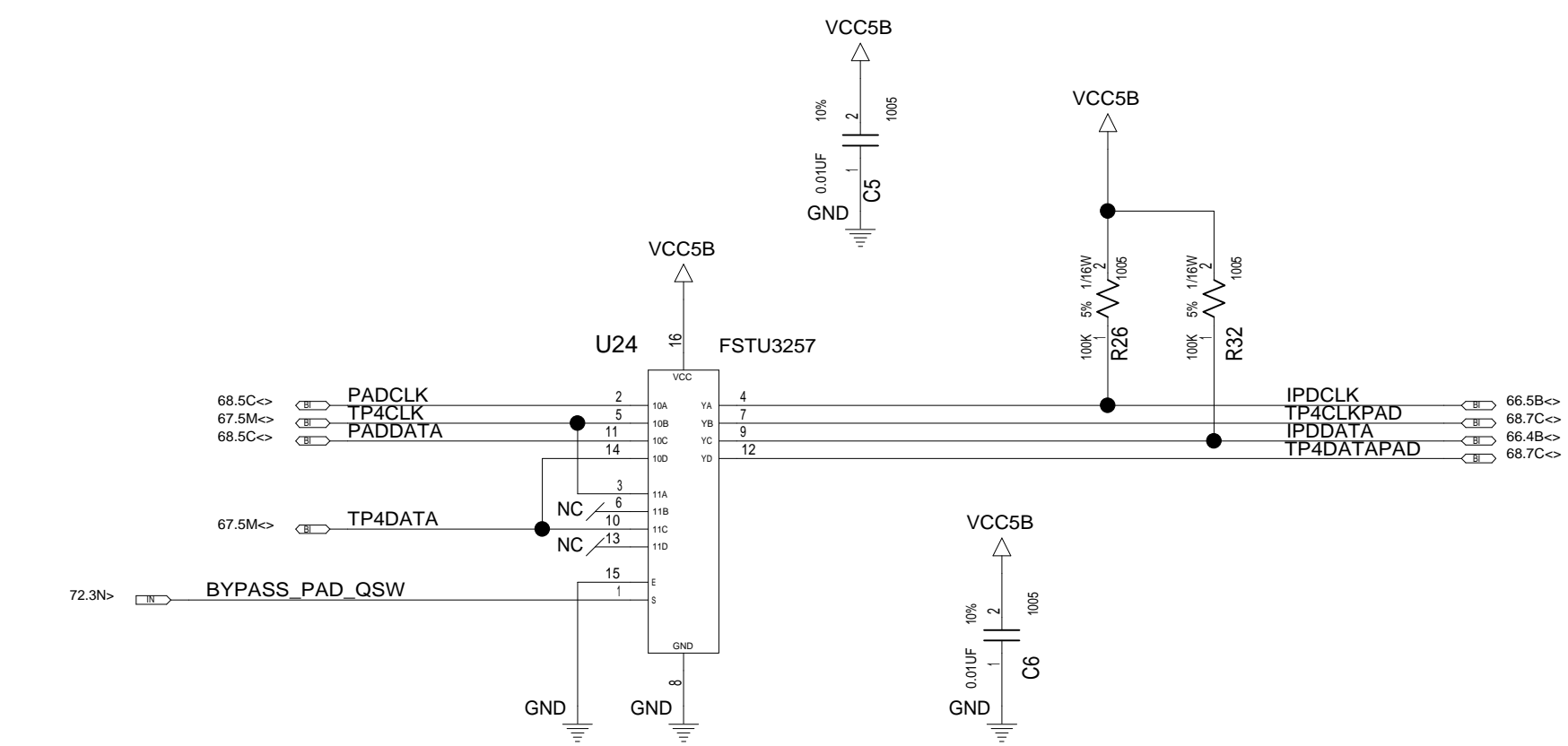
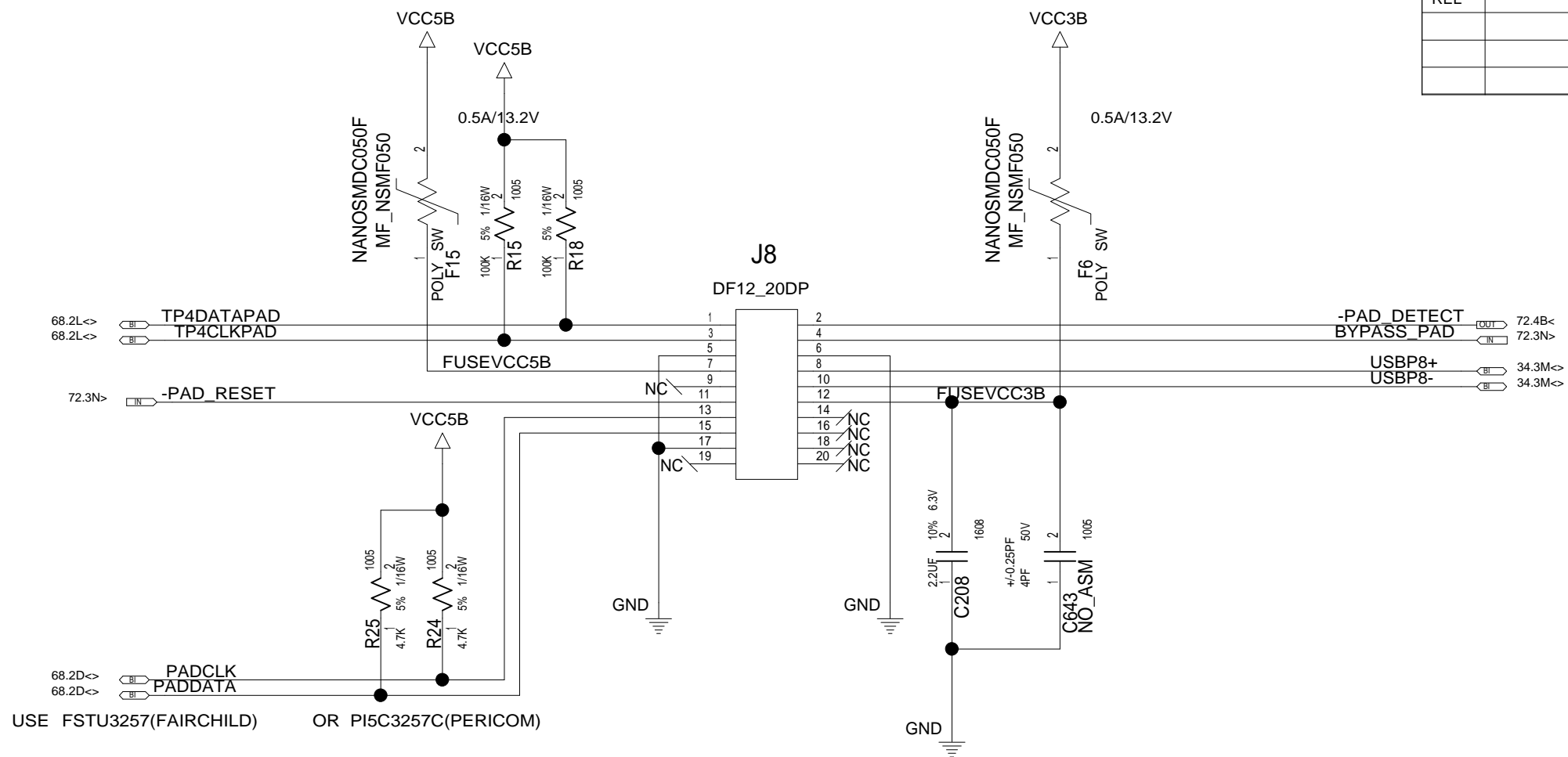
	DATE	EC NO.	PART NO.	
REL			VER.0.11	
			DEVELOPMENT NO.	Q/M
				67 / 101



VER.0.11

DESIGNER	Y.Y	10/19/07	PART NO.	
CHECKED	Y.I	10/19/07	VER.0.11	
APPROVED	H.K	10/19/07	TITLE MLB-3 INT SDV	
CLASS	H.K	10/19/07	KEYBOARD CONNECTOR	
THIS DOCUMENT IS THE PROPERTY OF LENOVO. ITS USE IS AUTHORIZED ONLY FOR RESPONDING TO A REQUEST FOR QUOTATION OR FOR THE PERFORMANCE OF WORK FOR LENOVO. ALL QUESTIONS MUST BE REFERRED TO THE LENOVO PURCHASING DEPARTMENT.			LENOVO CONFIDENTIAL	

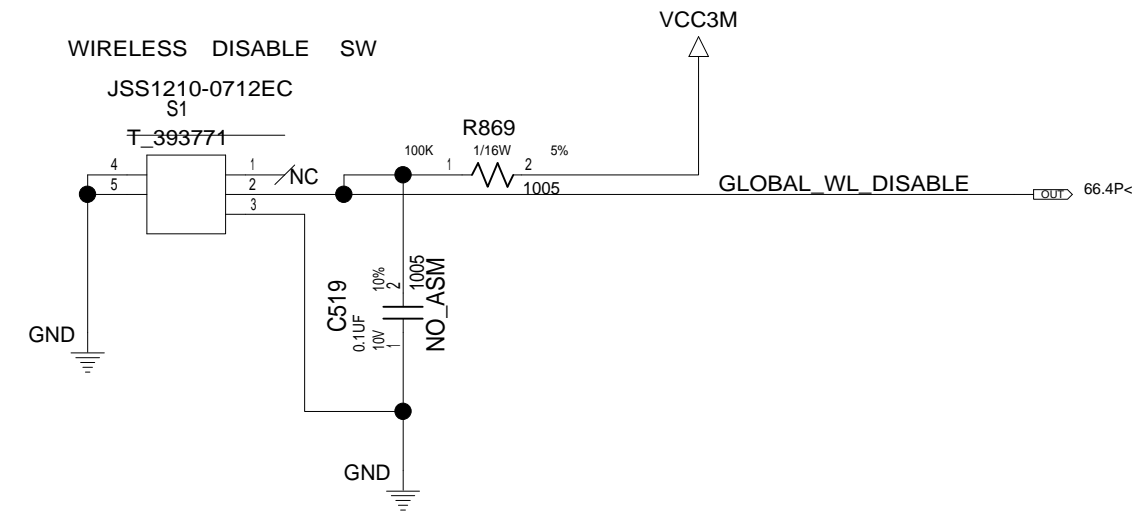
	DATE	EC NO.	PART NO.	
REL			VER.0.11	
			DEVELOPMENT NO.	Q/M
				68 / 101



VER.0.11

DESIGNER	Y.Y	10/19/07	PART NO.	
CHECKED	Y.I	10/19/07	VER.0.11	
APPROVED	H.K	10/19/07	TITLE MLB-3 INT SDV	
CLASS	H.K	10/19/07	TOUCH PAD CONNECTOR	
THIS DOCUMENT IS THE PROPERTY OF LENOVO. ITS USE IS AUTHORIZED ONLY FOR RESPONDING TO A REQUEST FOR QUOTATION OR FOR THE PERFORMANCE OF WORK FOR LENOVO. ALL QUESTIONS MUST BE REFERRED TO THE LENOVO PURCHASING DEPARTMENT.			LENOVO CONFIDENTIAL	

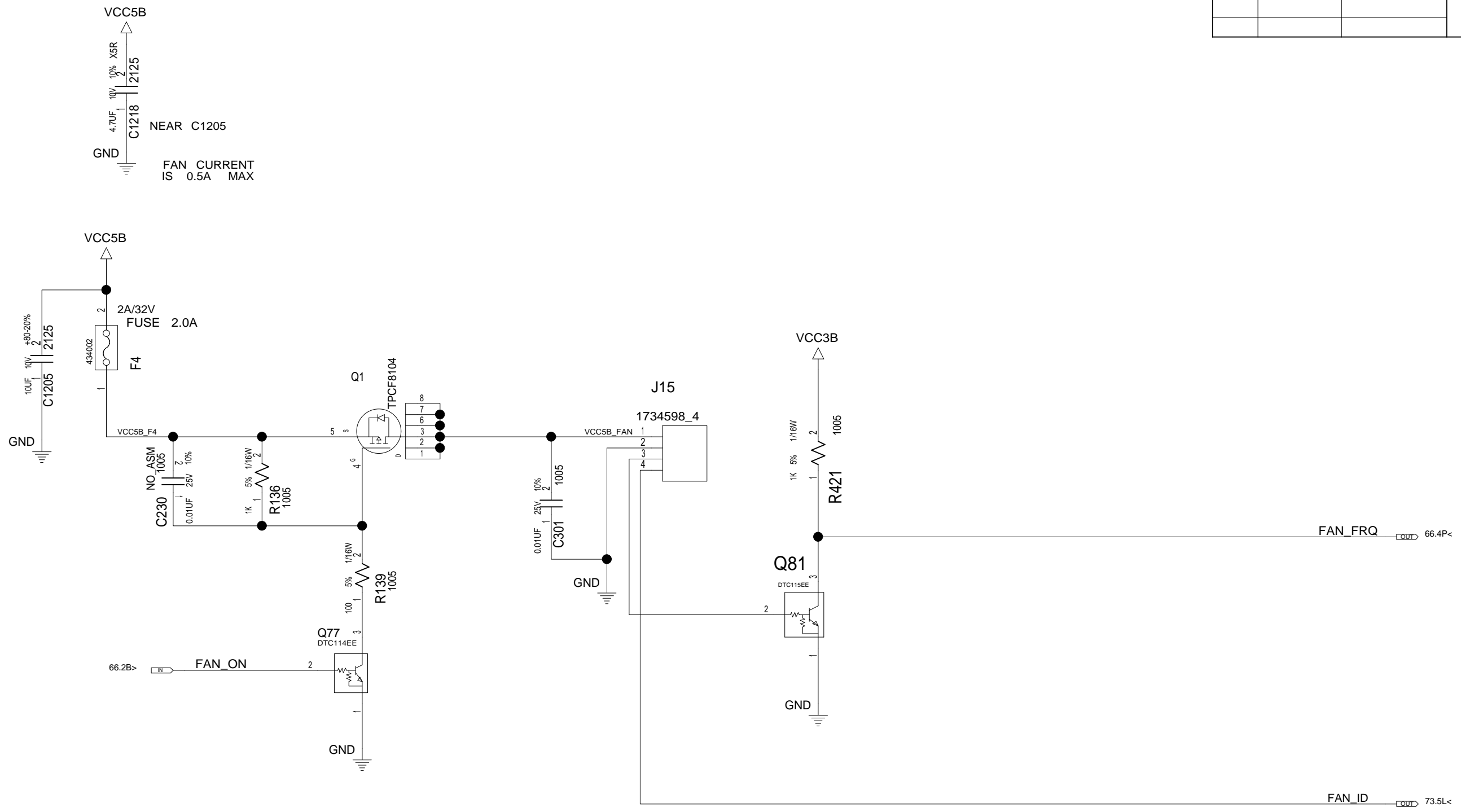
	DATE	EC NO.	PART NO.	
REL			VER.0.11	
			DEVELOPMENT NO.	Q/M
				69 / 101



VER.0.11

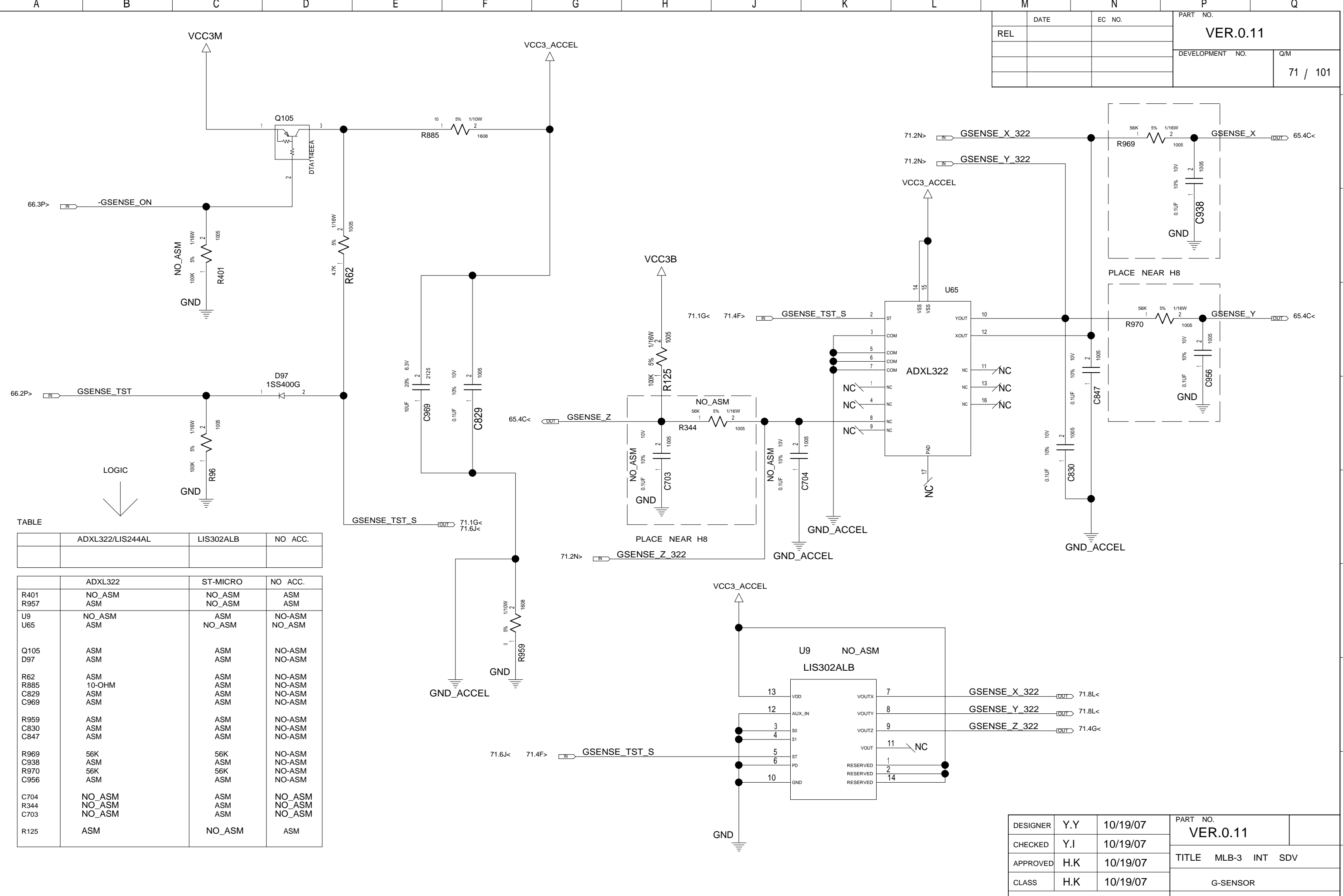
DESIGNER	Y.Y	10/19/07	PART NO.	
CHECKED	Y.I	10/19/07	VER.0.11	
APPROVED	H.K	10/19/07	TITLE MLB-3 INT SDV	
CLASS	H.K	10/19/07	WIRELESS DISABLE SW	
<small>THIS DOCUMENT IS THE PROPERTY OF LENOVO. ITS USE IS AUTHORIZED ONLY FOR RESPONDING TO A REQUEST FOR QUOTATION OR FOR THE PERFORMANCE OF WORK FOR LENOVO. ALL QUESTIONS MUST BE REFERRED TO THE LENOVO PURCHASING DEPARTMENT.</small>			LENOVO CONFIDENTIAL	

	DATE	EC NO.	PART NO.	
REL			VER.0.11	
			DEVELOPMENT NO.	Q/M
				70 / 101



VER.0.11

DESIGNER	Y.Y	10/19/07	PART NO.	VER.0.11
CHECKED	Y.I	10/19/07	TITLE MLB-3 INT SDV	
APPROVED	H.K	10/19/07	FAN CONNECTOR	
CLASS	H.K	10/19/07	LENOVO CONFIDENTIAL	
<small>THIS DOCUMENT IS THE PROPERTY OF LENOVO. ITS USE IS AUTHORIZED ONLY FOR RESPONDING TO A REQUEST FOR QUOTATION OR FOR THE PERFORMANCE OF WORK FOR LENOVO. ALL QUESTIONS MUST BE REFERRED TO THE LENOVO PURCHASING DEPARTMENT.</small>				



LOGIC
↓

TABLE

	ADXL322/LIS244AL	LIS302ALB	NO ACC.
R401	NO_ASM	NO_ASM	ASM
R957	ASM	NO_ASM	ASM
U9	NO_ASM	ASM	NO-ASM
U65	ASM	NO_ASM	NO-ASM
Q105	ASM	ASM	NO-ASM
D97	ASM	ASM	NO-ASM
R62	ASM	ASM	NO-ASM
R885	10-OHM	ASM	NO-ASM
C829	ASM	ASM	NO-ASM
C969	ASM	ASM	NO-ASM
R959	ASM	ASM	NO-ASM
C830	ASM	ASM	NO-ASM
C847	ASM	ASM	NO-ASM
R969	56K	56K	NO-ASM
C938	ASM	ASM	NO-ASM
R970	56K	56K	NO-ASM
C956	ASM	ASM	NO-ASM
C704	NO_ASM	ASM	NO_ASM
R344	NO_ASM	ASM	NO_ASM
C703	NO_ASM	ASM	NO_ASM
R125	ASM	NO_ASM	ASM

REL	DATE	EC NO.	PART NO.
			VER.0.11
			DEVELOPMENT NO.
			Q/M
			73 / 101

TABLE

4IN1 SLOT	R561
YES	ASM
NO	NO_ASM

LOGIC

TABLE

LOGIC	R1022
15"W	NO_ASM
15"W	ASM

TABLE

WAIKIKI_ID	HIGH:WAIKIKI	LOW:DAVINCI
------------	--------------	-------------

TABLE

FAN_ID	HIGH : TOSHIBA	LOW : FURUKAWA
--------	----------------	----------------

POWER ON STRAP PIN

PIN 2:BASE I/O ADDRESS
 NC:164E/164F(INTERNAL PU)
 PD:2E/2F

PIN 31:LPC SWITCH FUNCTION
 NC:SWITCH ENABLE(CONTROLLED BY DLCON BIT)
 PD:SWITCH DISABLE(FORCED TO BE DISCONNECTED)

PIN 47:TRISTATE
 NC:NORMAL OPERATION
 PD:ALL PINS FLOATING

PIN 48:TEST
 NC:NORMAL OPERATION
 PD:TEST MODE

GPIO ASSIGNMENT LIST

- GPIO00:LPC RESET# FOR DOCKING LPC DEVICE
- GPIO01:LPC POWER DOWN FOR DOCKING LPC DEVICE
- GPIO02:RESERVED(INTERNAL PULL UP ENABLE)
- GPIO03:RESERVED(INTERNAL PULL UP ENABLE)
- GPIO04:DOCK ID 0 (INTERNAL PULL UP ENABLE)
- GPIO20:DOCK ID 1 (INTERNAL PULL UP ENABLE)
- GPIO21:DOCK ID 2 (INTERNAL PULL UP ENABLE)
- GPIO23:LCD PRESENCE DETECT (INTERNAL PULLUP ENABLE)

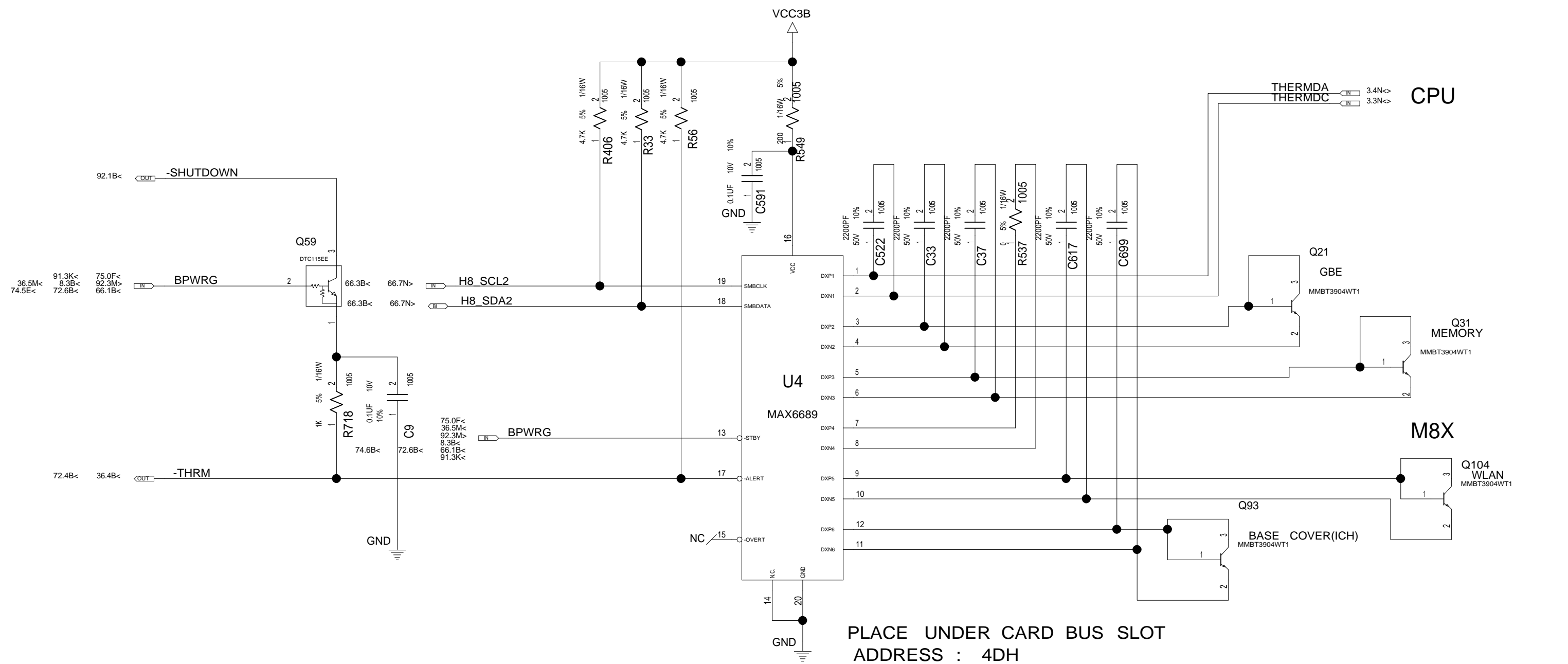
DESIGNER	Y.Y	10/19/07	PART NO.
CHECKED	Y.I	10/19/07	VER.0.11
APPROVED	H.K	10/19/07	TITLE MLB-3 INT SDV
CLASS	H.K	10/19/07	SUPER I/O

THIS DOCUMENT IS THE PROPERTY OF LENOVO.ITS USE IS AUTHORIZED ONLY FOR RESPONDING TO A REQUEST FOR QUOTATION OR FOR THE PERFORMANCE OF WORK FOR LENOVO.ALL QUESTIONS MUST BE REFERRED TO THE LENOVO PURCHASING DEPARTMENT.

LENOVO CONFIDENTIAL

VER.0.11

	DATE	EC NO.	PART NO.	
REL			VER.0.11	
			DEVELOPMENT NO.	Q/M
				74 / 101

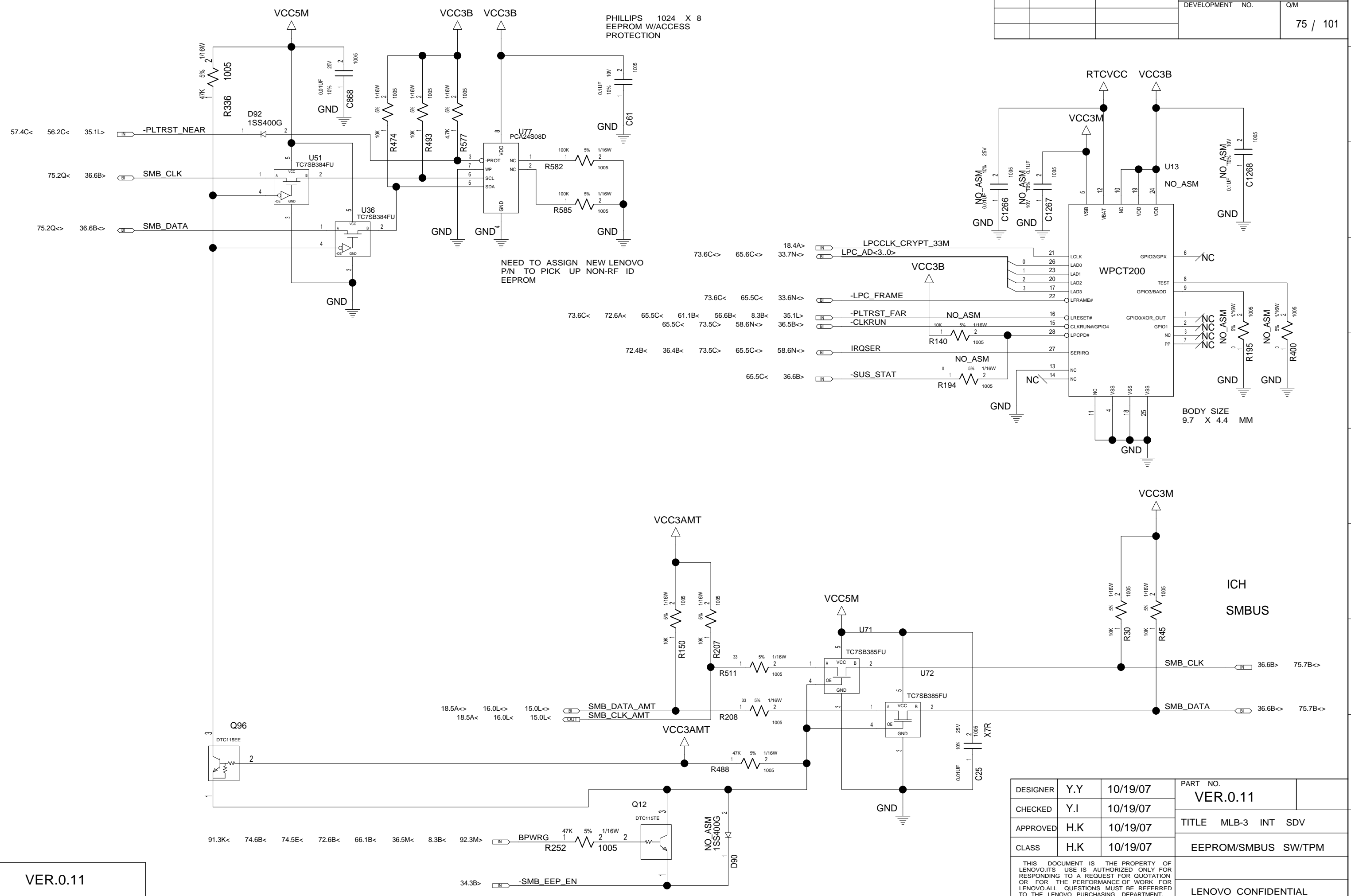


PLACE UNDER CARD BUS SLOT
ADDRESS : 4DH

VER.0.11

DESIGNER	Y.Y	10/19/07	PART NO.	
CHECKED	Y.I	10/19/07	VER.0.11	
APPROVED	H.K	10/19/07	TITLE MLB-3 INT SDV	
CLASS	H.K	10/19/07	THERMAL SENSOR	
THIS DOCUMENT IS THE PROPERTY OF LENOVO.ITS USE IS AUTHORIZED ONLY FOR RESPONDING TO A REQUEST FOR QUOTATION OR FOR THE PERFORMANCE OF WORK FOR LENOVO.ALL QUESTIONS MUST BE REFERRED TO THE LENOVO PURCHASING DEPARTMENT.			LENOVO CONFIDENTIAL	

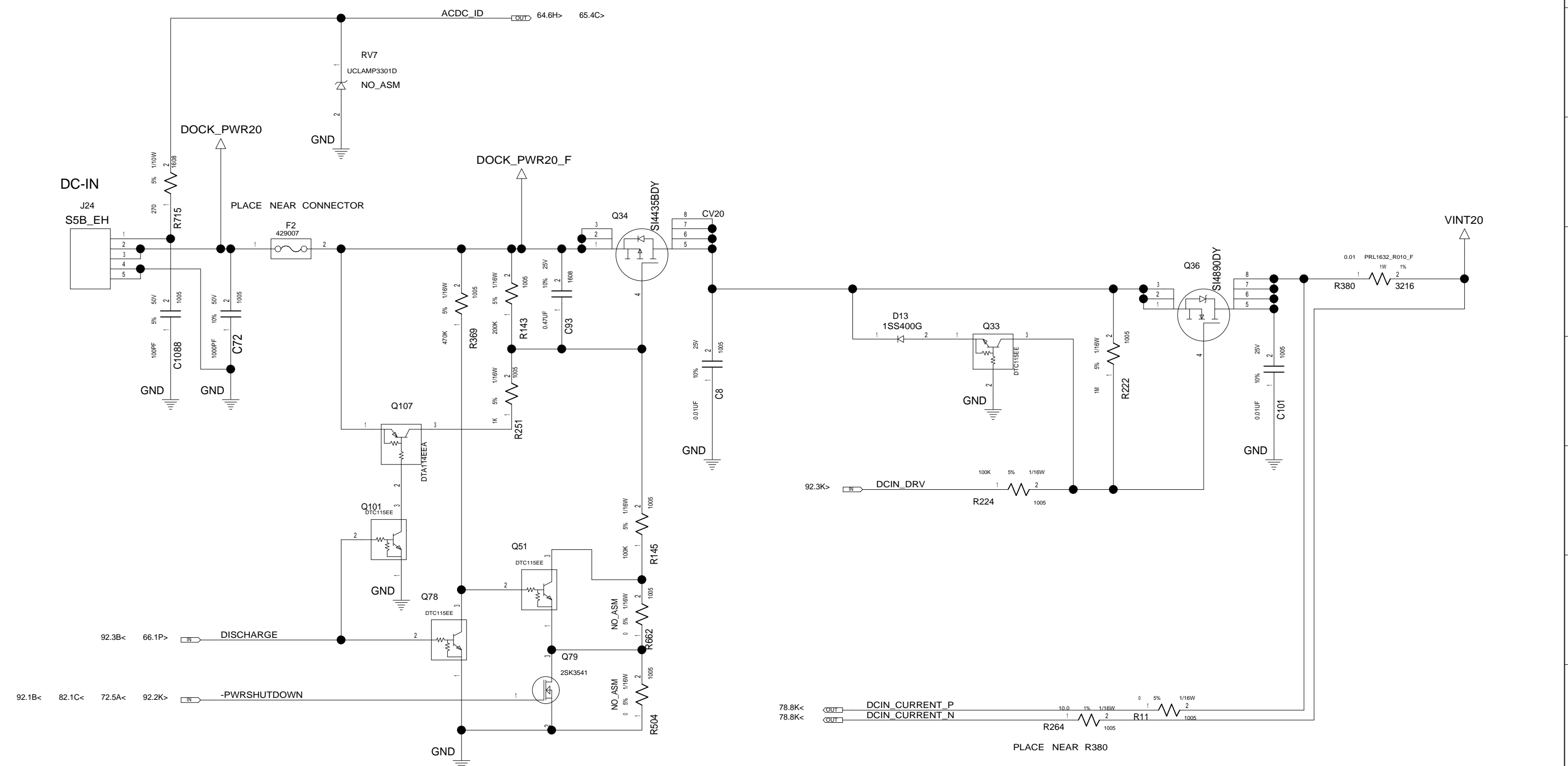
REL	DATE	EC NO.	PART NO.
			VER.0.11
			DEVELOPMENT NO.
			Q/M
			75 / 101



VER.0.11

DESIGNER	Y.Y	10/19/07	PART NO.
CHECKED	Y.I	10/19/07	VER.0.11
APPROVED	H.K	10/19/07	TITLE MLB-3 INT SDV
CLASS	H.K	10/19/07	EEPROM/SMBUS SW/TPM
THIS DOCUMENT IS THE PROPERTY OF LENOVO. ITS USE IS AUTHORIZED ONLY FOR RESPONDING TO A REQUEST FOR QUOTATION OR FOR THE PERFORMANCE OF WORK FOR LENOVO. ALL QUESTIONS MUST BE REFERRED TO THE LENOVO PURCHASING DEPARTMENT.			LENOVO CONFIDENTIAL

	DATE	EC NO.	PART NO.	
REL			VER.0.11	
			DEVELOPMENT NO.	Q/M
				76 / 101



TABLE

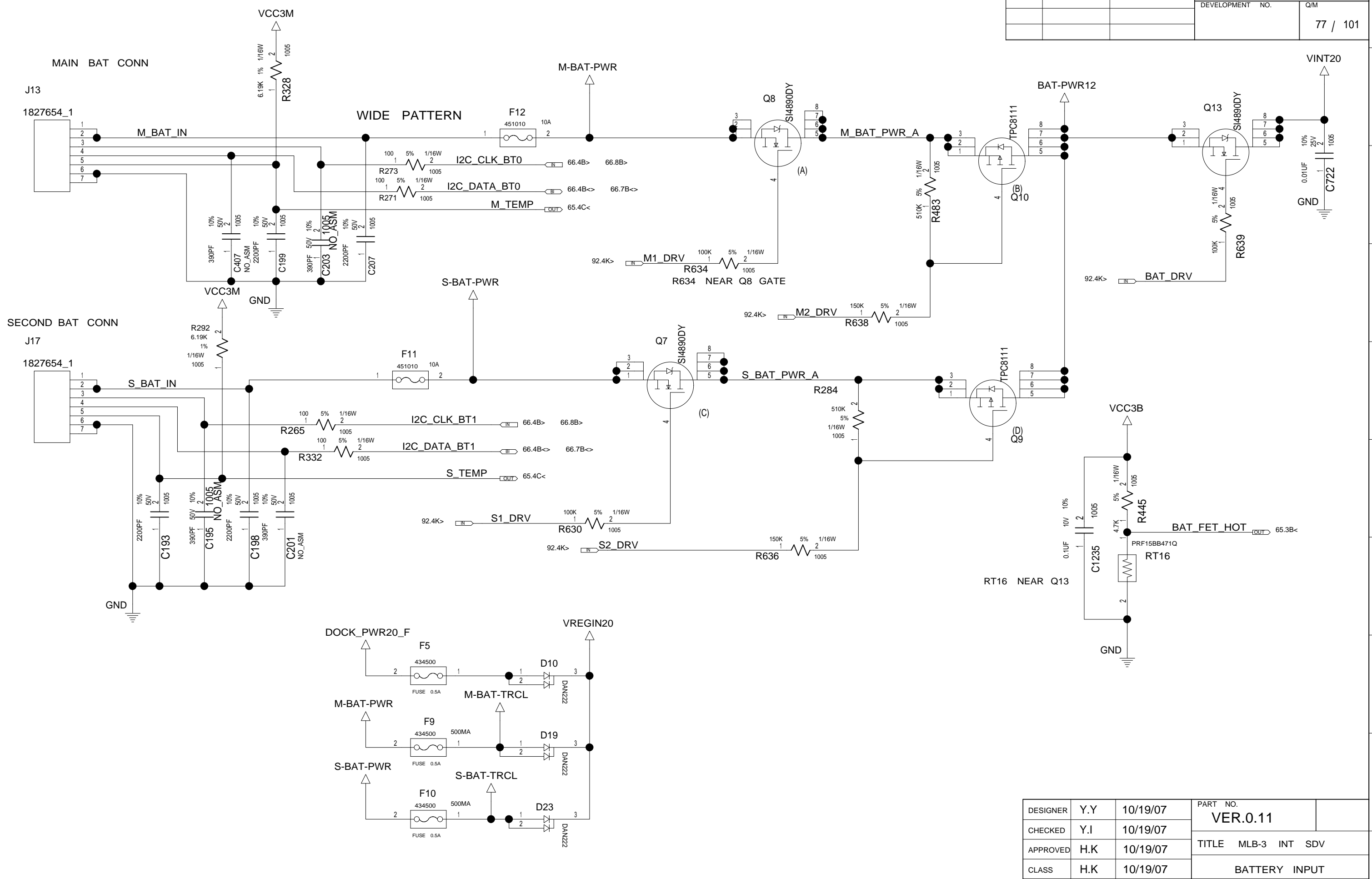
PEAK SHIFT	YES	NO
R662	NO-ASM	ASM
R369	ASM	NO-ASM
Q78	ASM	NO-ASM
Q51	ASM	NO-ASM

↑
LOGIC

VER.0.11

DESIGNER	Y.Y	10/19/07	PART NO.	
CHECKED	Y.I	10/19/07	VER.0.11	
APPROVED	H.K	10/19/07	TITLE MLB-3 INT SDV	
CLASS	H.K	10/19/07	DC-IN	
THIS DOCUMENT IS THE PROPERTY OF LENOVO. ITS USE IS AUTHORIZED ONLY FOR RESPONDING TO A REQUEST FOR QUOTATION OR FOR THE PERFORMANCE OF WORK FOR LENOVO. ALL QUESTIONS MUST BE REFERRED TO THE LENOVO PURCHASING DEPARTMENT.			LENOVO CONFIDENTIAL	

REL	DATE	EC NO.	PART NO.
			VER.0.11
			DEVELOPMENT NO.
			Q/M
			77 / 101

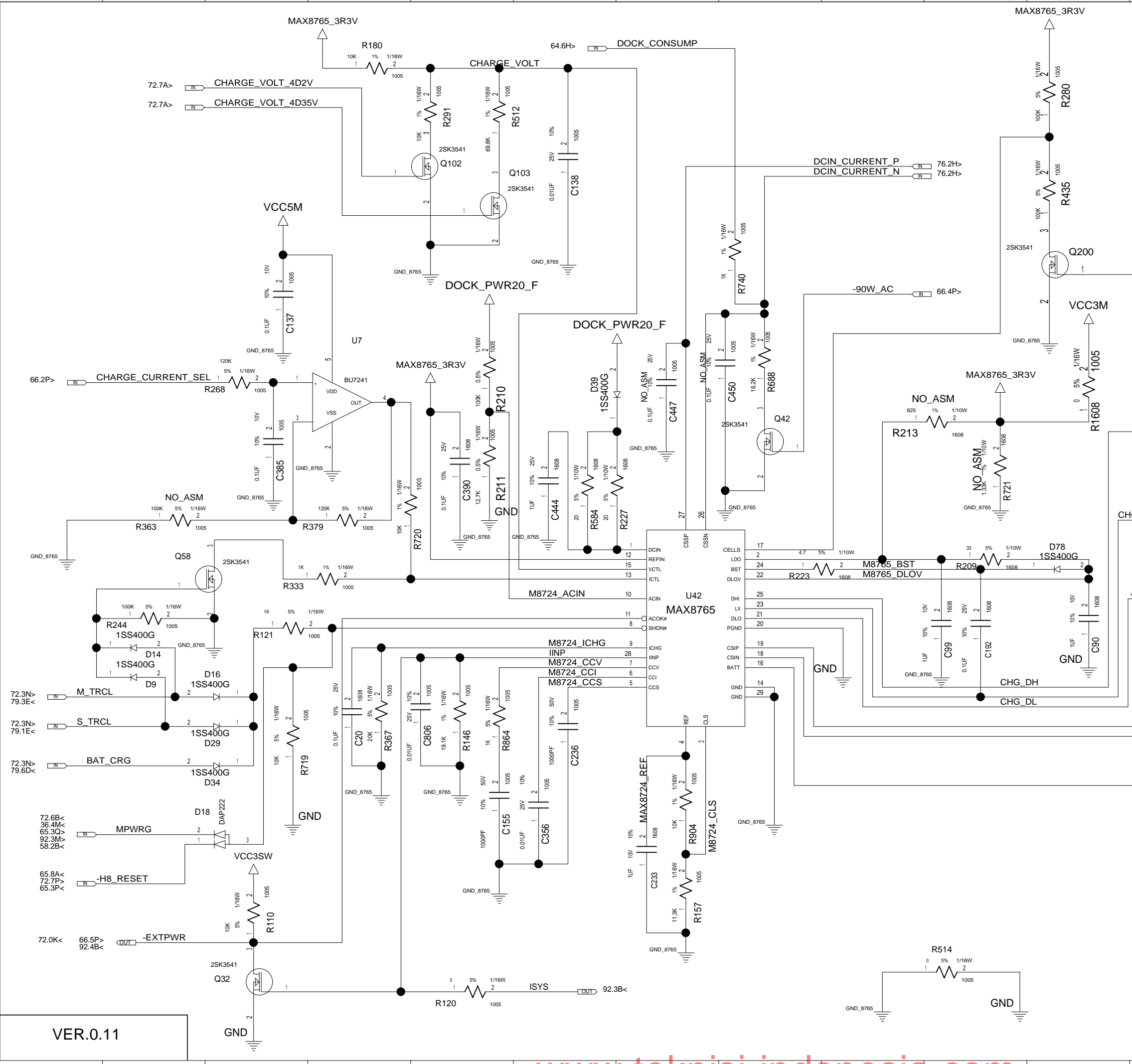


VER.0.11

DESIGNER	Y.Y	10/19/07	PART NO.
CHECKED	Y.I	10/19/07	VER.0.11
APPROVED	H.K	10/19/07	TITLE MLB-3 INT SDV
CLASS	H.K	10/19/07	BATTERY INPUT
THIS DOCUMENT IS THE PROPERTY OF LENOVO. ITS USE IS AUTHORIZED ONLY FOR RESPONDING TO A REQUEST FOR QUOTATION OR FOR THE PERFORMANCE OF WORK FOR LENOVO. ALL QUESTIONS MUST BE REFERRED TO THE LENOVO PURCHASING DEPARTMENT.			LENOVO CONFIDENTIAL

A B C D E F G H J K L M N P Q

REL	DATE	EC NO.	PART NO.
			VER.0.11
			DEVELOPMENT NO.
			Q/M
			78 / 101

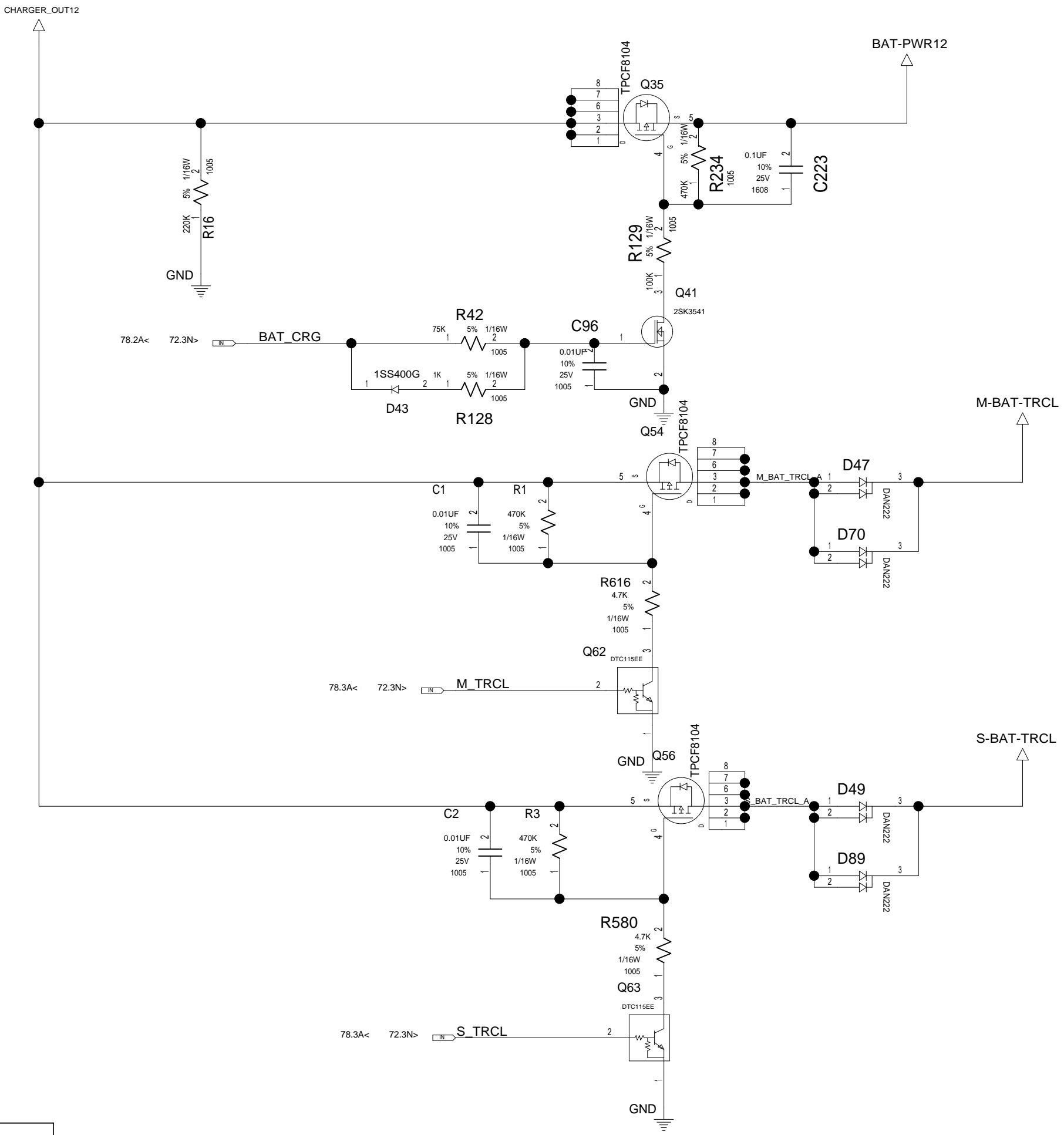


VER.0.11

DESIGNER	Y.Y	10/19/07	PART NO.
CHECKED	Y.I	10/19/07	VER.0.11
APPROVED	H.K	10/19/07	TITLE MLB-3 INT SDV
CLASS	H.K	10/19/07	BATTERY CHARGER
THIS DOCUMENT IS THE PROPERTY OF LENOVO. ITS USE IS AUTHORIZED ONLY FOR RESPONDING TO A REQUEST FOR QUOTATION OR FOR THE PERFORMANCE OF WORK FOR LENOVO. ALL QUESTIONS MUST BE REFERRED TO THE LENOVO PURCHASING DEPARTMENT.			LENOVO CONFIDENTIAL

A B C D E F G H J K L M N P Q

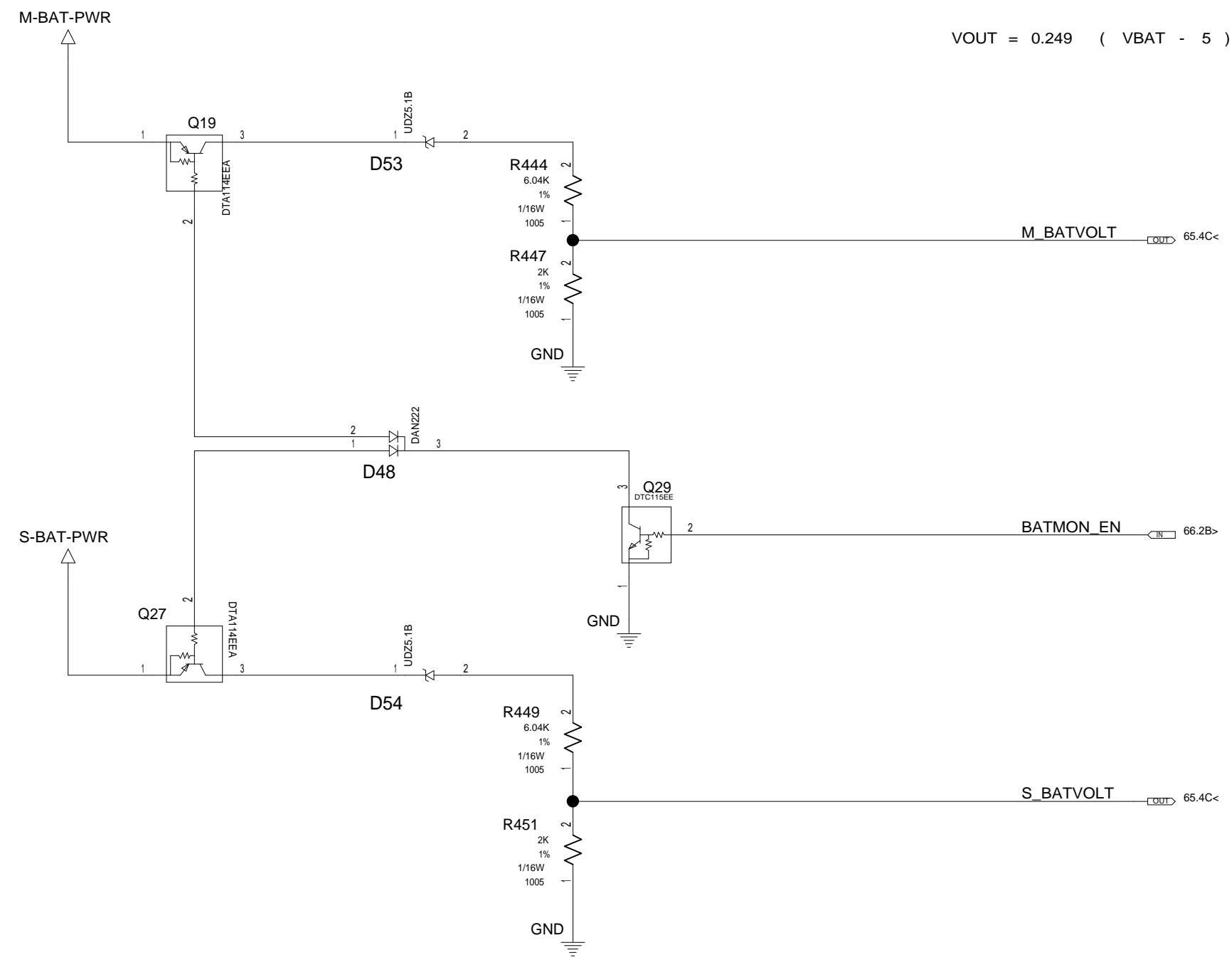
	DATE	EC NO.	PART NO.	
REL			VER.0.11	
			DEVELOPMENT NO.	Q/M
				79 / 101



VER.0.11

DESIGNER	Y.Y	10/19/07	PART NO.	
CHECKED	Y.I	10/19/07	VER.0.11	
APPROVED	H.K	10/19/07	TITLE MLB-3 INT SDV	
CLASS	H.K	10/19/07	CHARGE SELECTOR	
THIS DOCUMENT IS THE PROPERTY OF LENOVO. ITS USE IS AUTHORIZED ONLY FOR RESPONDING TO A REQUEST FOR QUOTATION OR FOR THE PERFORMANCE OF WORK FOR LENOVO. ALL QUESTIONS MUST BE REFERRED TO THE LENOVO PURCHASING DEPARTMENT.			LENOVO CONFIDENTIAL	

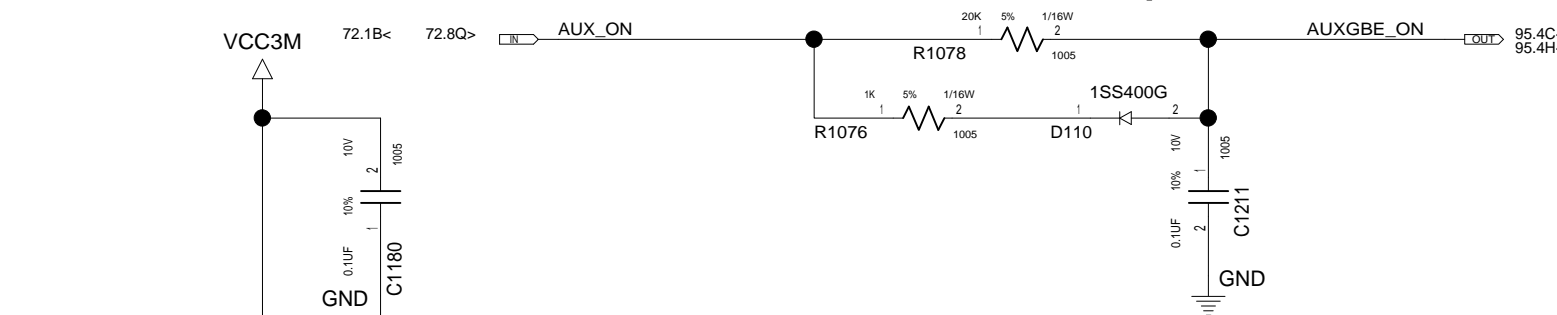
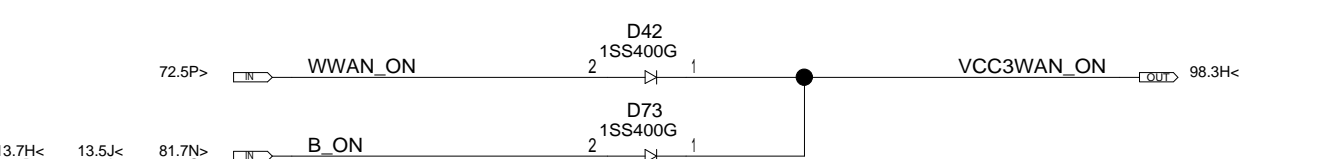
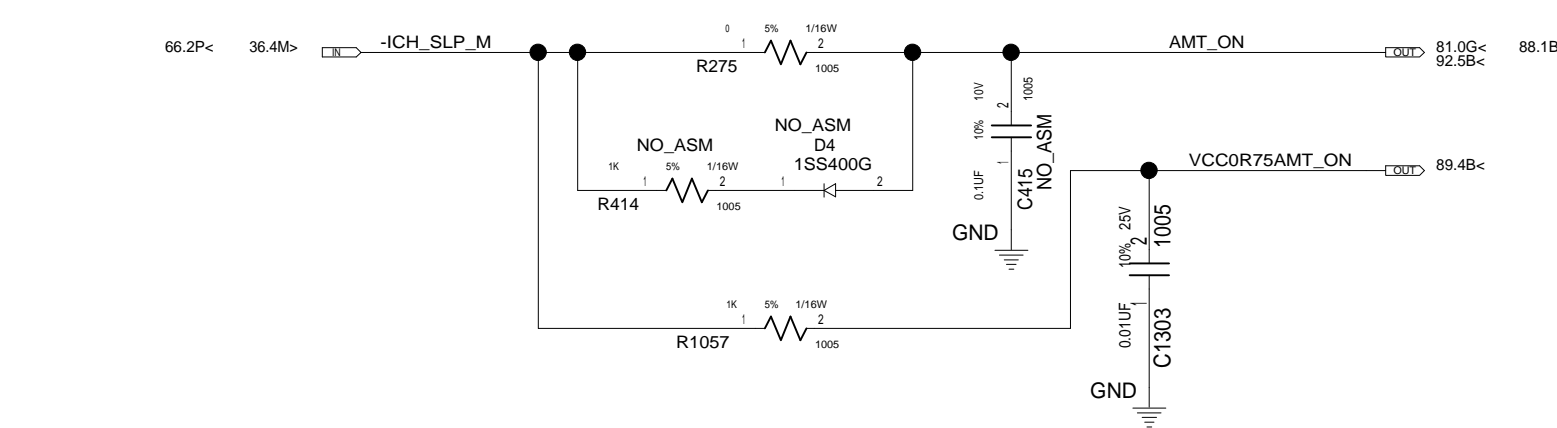
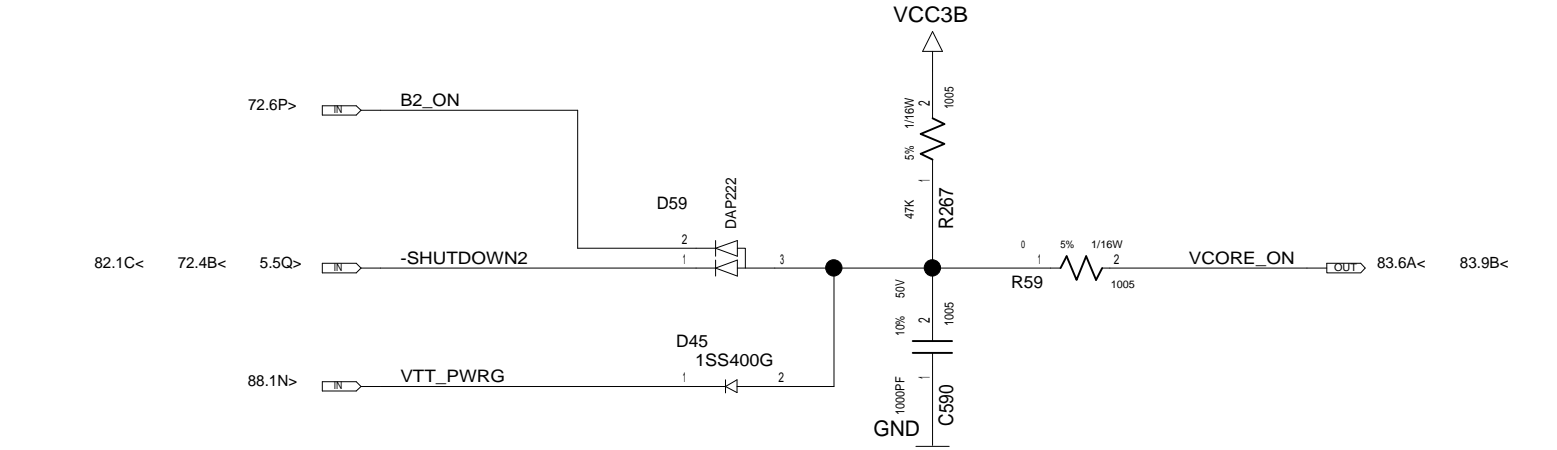
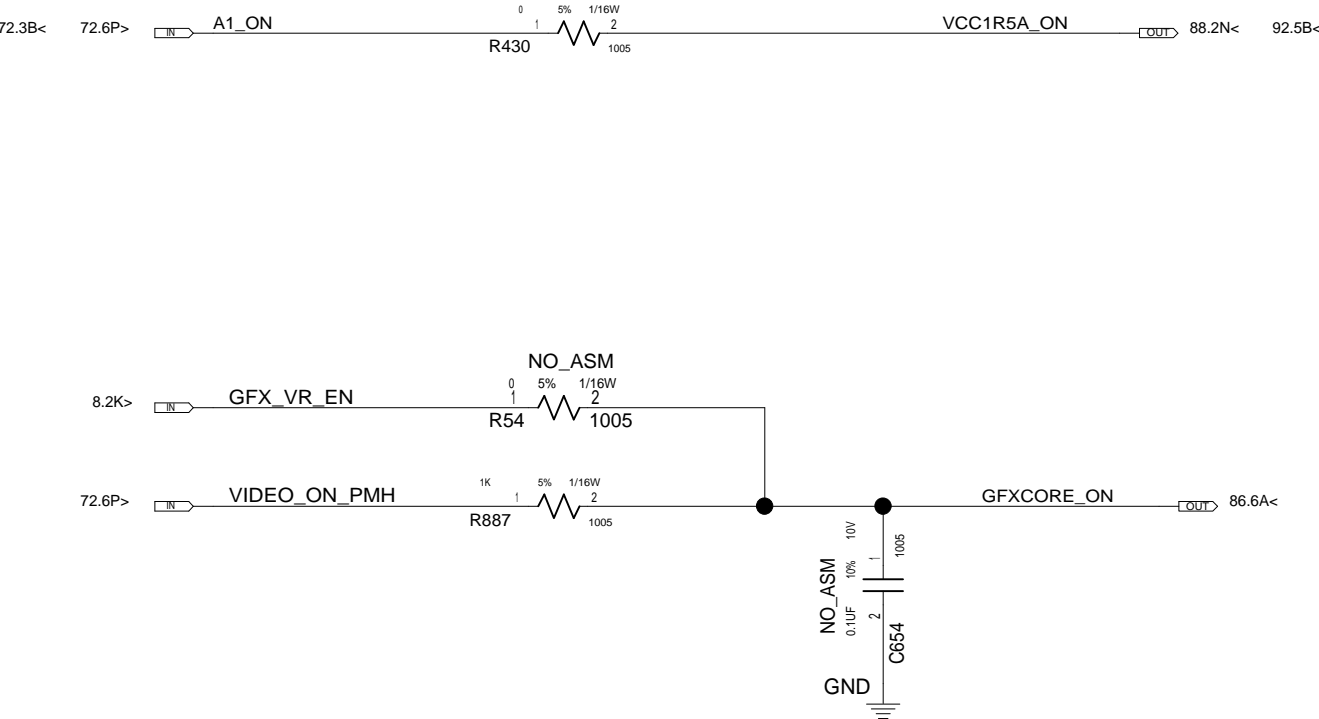
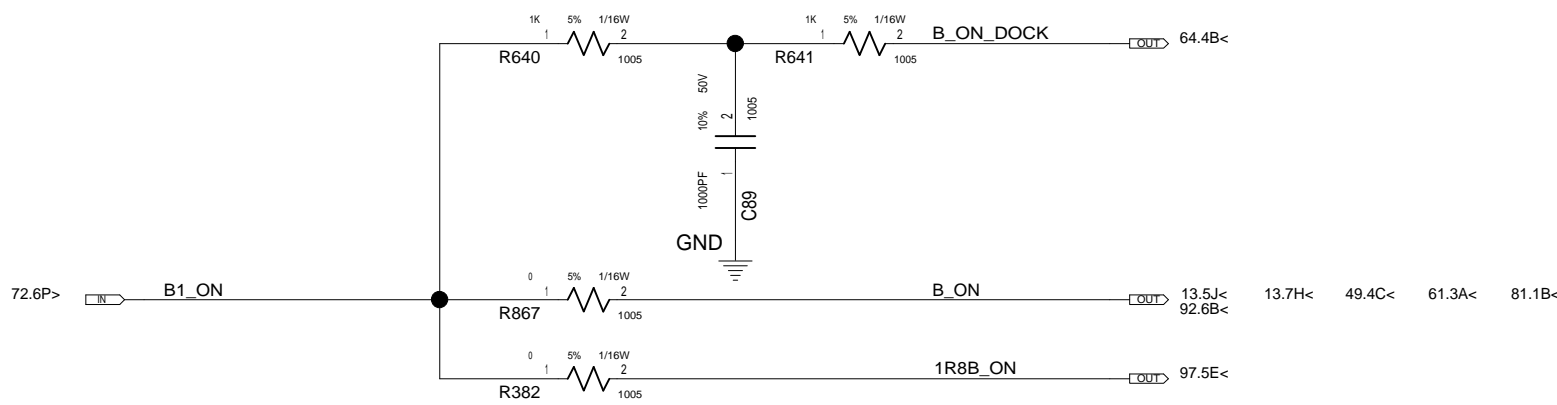
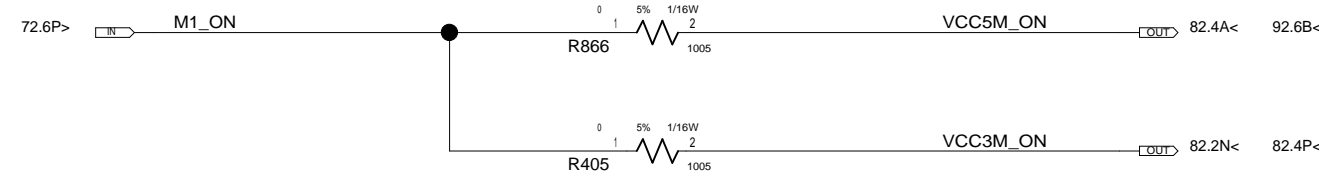
	DATE	EC NO.	PART NO.	
REL			VER.0.11	
			DEVELOPMENT NO.	Q/M
				80 / 101



VER.0.11

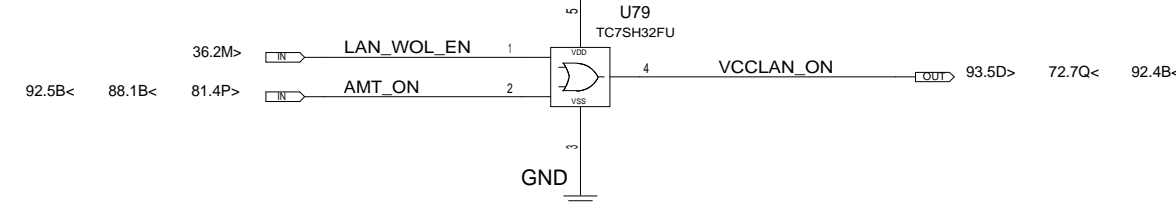
DESIGNER	Y.Y	10/19/07	PART NO.	
CHECKED	Y.I	10/19/07	VER.0.11	
APPROVED	H.K	10/19/07	TITLE MLB-3 INT SDV	
CLASS	H.K	10/19/07	BATTERY MONITOR	
THIS DOCUMENT IS THE PROPERTY OF LENOVO. ITS USE IS AUTHORIZED ONLY FOR RESPONDING TO A REQUEST FOR QUOTATION OR FOR THE PERFORMANCE OF WORK FOR LENOVO. ALL QUESTIONS MUST BE REFERRED TO THE LENOVO PURCHASING DEPARTMENT.			LENOVO CONFIDENTIAL	

REL	DATE	EC NO.	PART NO.	
			VER.0.11	
			DEVELOPMENT NO.	Q/M
				81 / 101



TABLE

ALWAYS ON	YES	NO
D42	ASM	NO_ASM
D73	ASM	NO_ASM

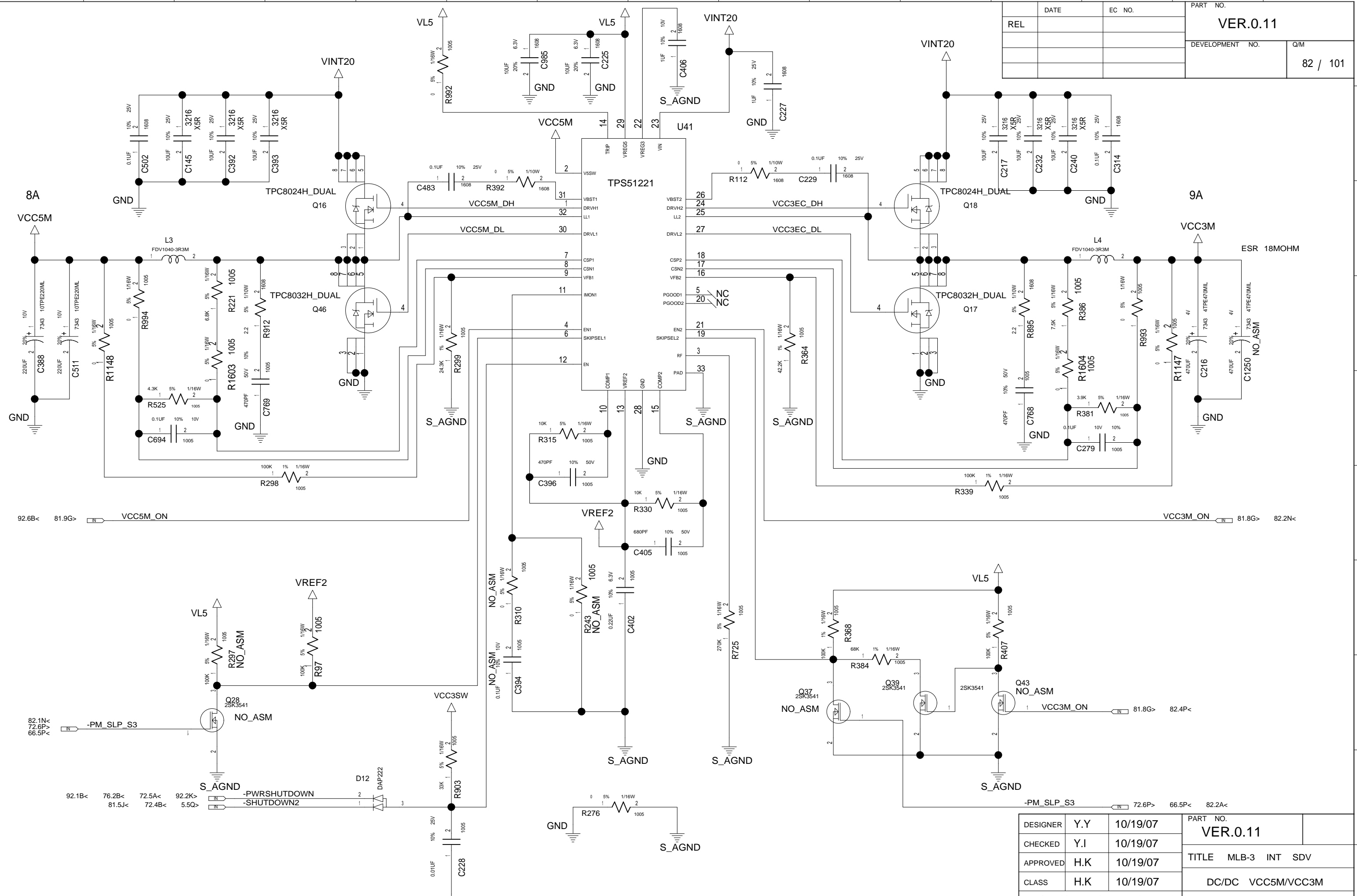


DESIGNER	Y.Y	10/19/07	PART NO.	
CHECKED	Y.I	10/19/07	VER.0.11	
APPROVED	H.K	10/19/07	TITLE MLB-3 INT SDV	
CLASS	H.K	10/19/07	POWER SEQUENCE	
THIS DOCUMENT IS THE PROPERTY OF LENOVO. ITS USE IS AUTHORIZED ONLY FOR RESPONDING TO A REQUEST FOR QUOTATION OR FOR THE PERFORMANCE OF WORK FOR LENOVO. ALL QUESTIONS MUST BE REFERRED TO THE LENOVO PURCHASING DEPARTMENT.			LENOVO CONFIDENTIAL	

VER.0.11

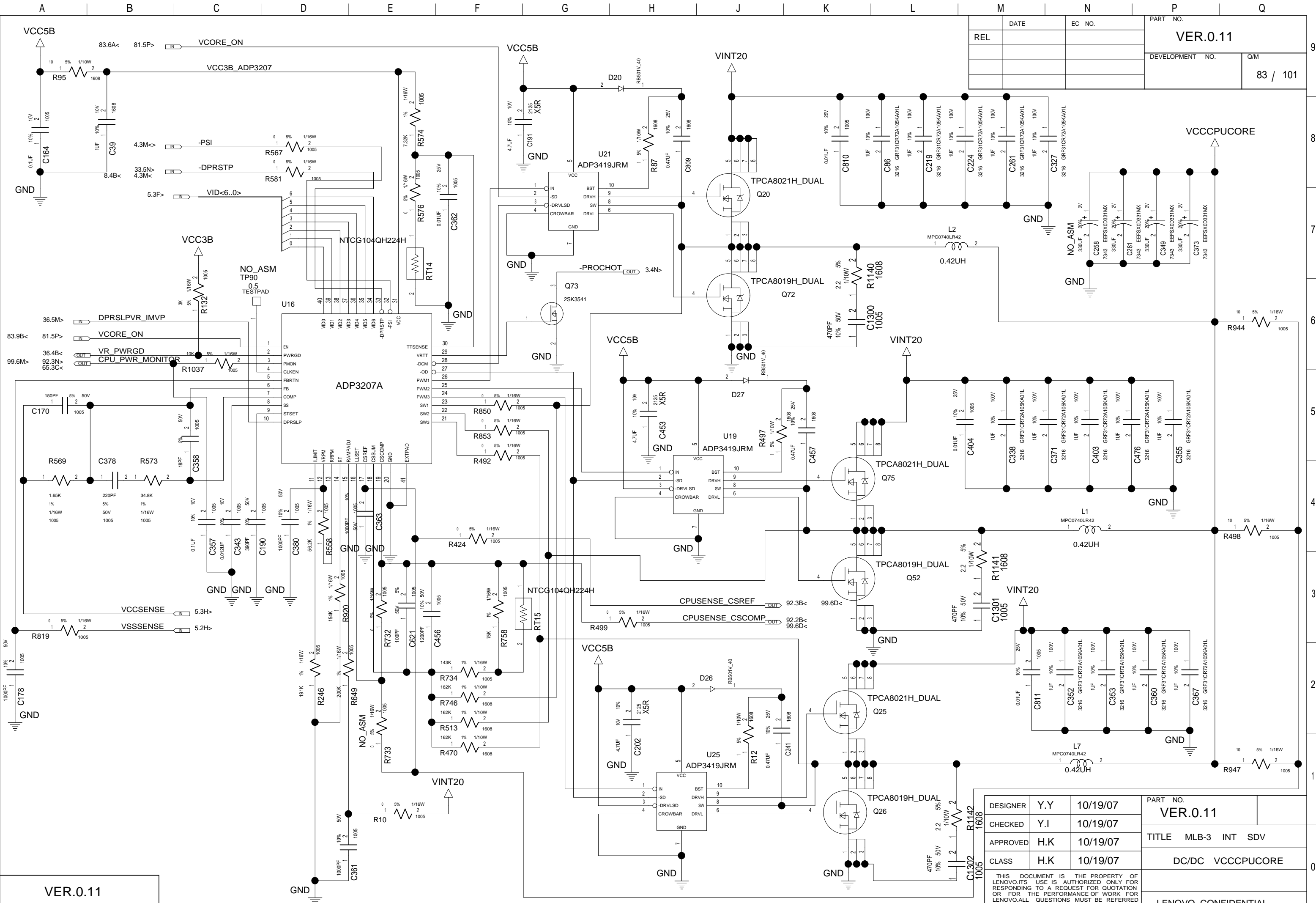
LOGIC

REL	DATE	EC NO.	PART NO.
			VER.0.11
			DEVELOPMENT NO.
			Q/M
			82 / 101



VER.0.11

DESIGNER	Y.Y	10/19/07	PART NO.
CHECKED	Y.I	10/19/07	VER.0.11
APPROVED	H.K	10/19/07	TITLE
CLASS	H.K	10/19/07	MLB-3 INT SDV
THIS DOCUMENT IS THE PROPERTY OF LENOVO. ITS USE IS AUTHORIZED ONLY FOR RESPONDING TO A REQUEST FOR QUOTATION OR FOR THE PERFORMANCE OF WORK FOR LENOVO. ALL QUESTIONS MUST BE REFERRED TO THE LENOVO PURCHASING DEPARTMENT.			DC/DC VCC5M/VCC3M
			LENOVO CONFIDENTIAL

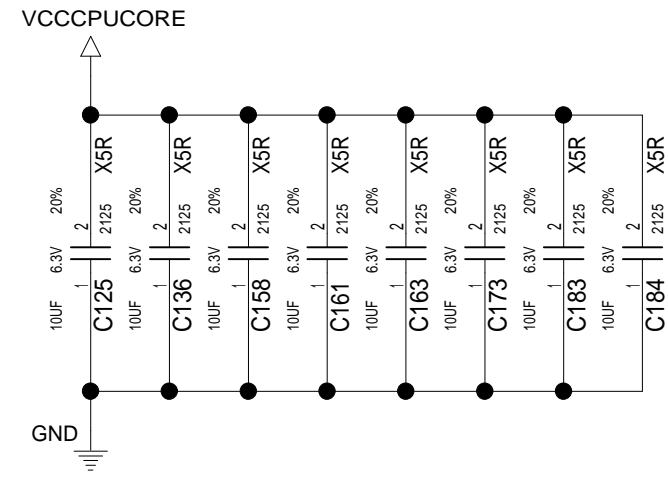


REL	DATE	EC NO.	PART NO.
			VER.0.11
			DEVELOPMENT NO.
			Q/M
			83 / 101

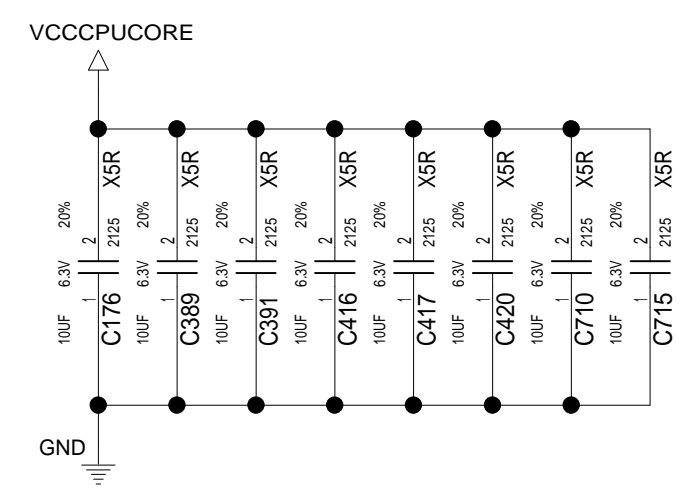
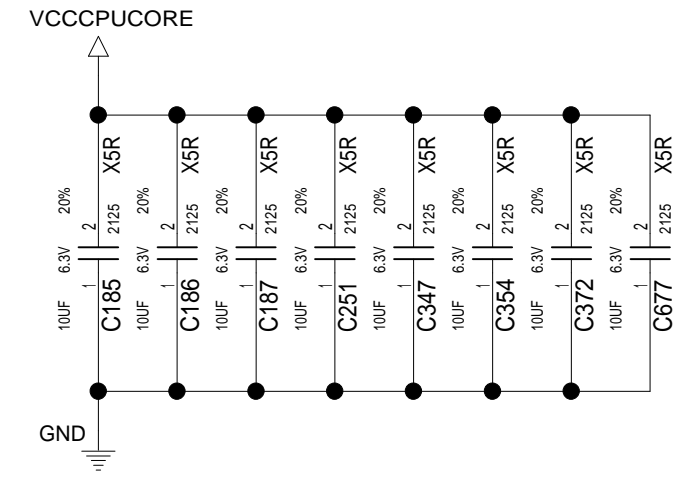
VER.0.11

DESIGNER	Y.Y	10/19/07	PART NO.
CHECKED	Y.I	10/19/07	VER.0.11
APPROVED	H.K	10/19/07	TITLE
CLASS	H.K	10/19/07	MLB-3 INT SDV
			DC/DC VCCCPUCORE
THIS DOCUMENT IS THE PROPERTY OF LENOVO. ITS USE IS AUTHORIZED ONLY FOR RESPONDING TO A REQUEST FOR QUOTATION OR FOR THE PERFORMANCE OF WORK FOR LENOVO. ALL QUESTIONS MUST BE REFERRED TO THE LENOVO PURCHASING DEPARTMENT.			
LENOVO CONFIDENTIAL			

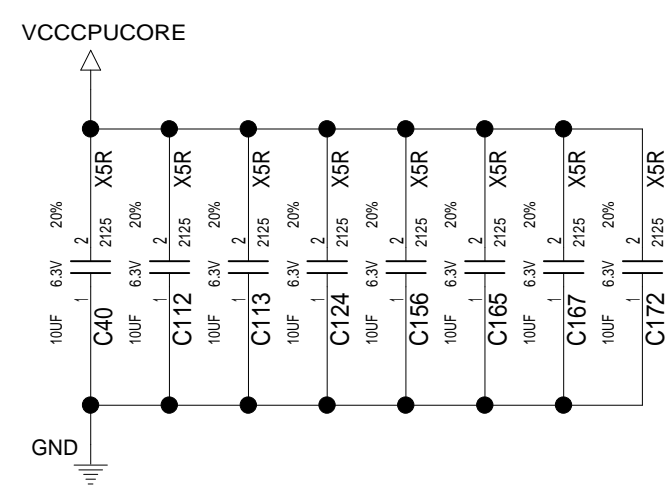
	DATE	EC NO.	PART NO.	
REL			VER.0.11	
			DEVELOPMENT NO.	Q/M
				84 / 101



10UF 6.3V X5R 2125 1/16W X 16PCS



10UF 6.3V X5R 2125 1/16W X 16PCS



VER.0.11

DESIGNER	Y.Y	10/19/07	PART NO.	
CHECKED	Y.I	10/19/07	VER.0.11	
APPROVED	H.K	10/19/07	TITLE MLB-3 INT SDV	
CLASS	H.K	10/19/07	VCCPUCORE DECOUPLING	
THIS DOCUMENT IS THE PROPERTY OF LENOVO. ITS USE IS AUTHORIZED ONLY FOR RESPONDING TO A REQUEST FOR QUOTATION OR FOR THE PERFORMANCE OF WORK FOR LENOVO. ALL QUESTIONS MUST BE REFERRED TO THE LENOVO PURCHASING DEPARTMENT.			LENOVO CONFIDENTIAL	

BLANK

	DATE	EC NO.	PART NO.	
REL			VER.0.11	
			DEVELOPMENT NO.	Q/M
				85 / 101

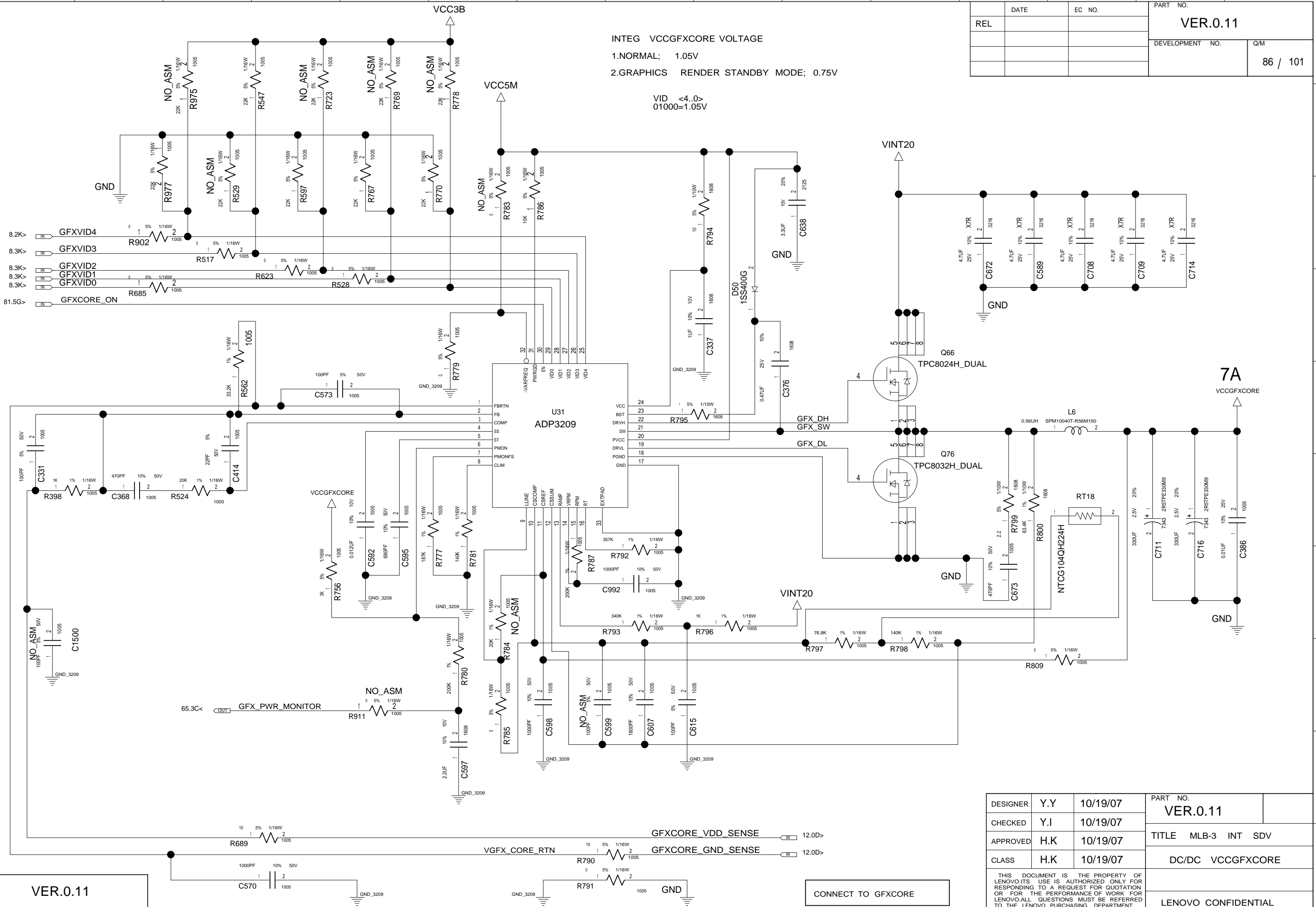
DESIGNER	Y.Y	10/19/07	PART NO.	
CHECKED	Y.I	10/19/07	VER.0.11	
APPROVED	H.K	10/19/07	TITLE MLB-3 INT SDV	
CLASS	H.K	10/19/07	BLANK	
THIS DOCUMENT IS THE PROPERTY OF LENOVO.ITS USE IS AUTHORIZED ONLY FOR RESPONDING TO A REQUEST FOR QUOTATION OR FOR THE PERFORMANCE OF WORK FOR LENOVO.ALL QUESTIONS MUST BE REFERRED TO THE LENOVO PURCHASING DEPARTMENT.			LENOVO CONFIDENTIAL	

VER.0.11

REL	DATE	EC NO.	PART NO.
			VER.0.11
			DEVELOPMENT NO.
			Q/M
			86 / 101

INTEG VCCGFXCORE VOLTAGE
 1.NORMAL; 1.05V
 2.GRAPHICS RENDER STANDBY MODE; 0.75V

VID <4.0>
 01000=1.05V



VER.0.11

CONNECT TO GFXCORE

DESIGNER	Y.Y	10/19/07	PART NO.
CHECKED	Y.I	10/19/07	VER.0.11
APPROVED	H.K	10/19/07	TITLE MLB-3 INT SDV
CLASS	H.K	10/19/07	DC/DC VCCGFXCORE
THIS DOCUMENT IS THE PROPERTY OF LENOVO. ITS USE IS AUTHORIZED ONLY FOR RESPONDING TO A REQUEST FOR QUOTATION OR FOR THE PERFORMANCE OF WORK FOR LENOVO. ALL QUESTIONS MUST BE REFERRED TO THE LENOVO PURCHASING DEPARTMENT.			LENOVO CONFIDENTIAL

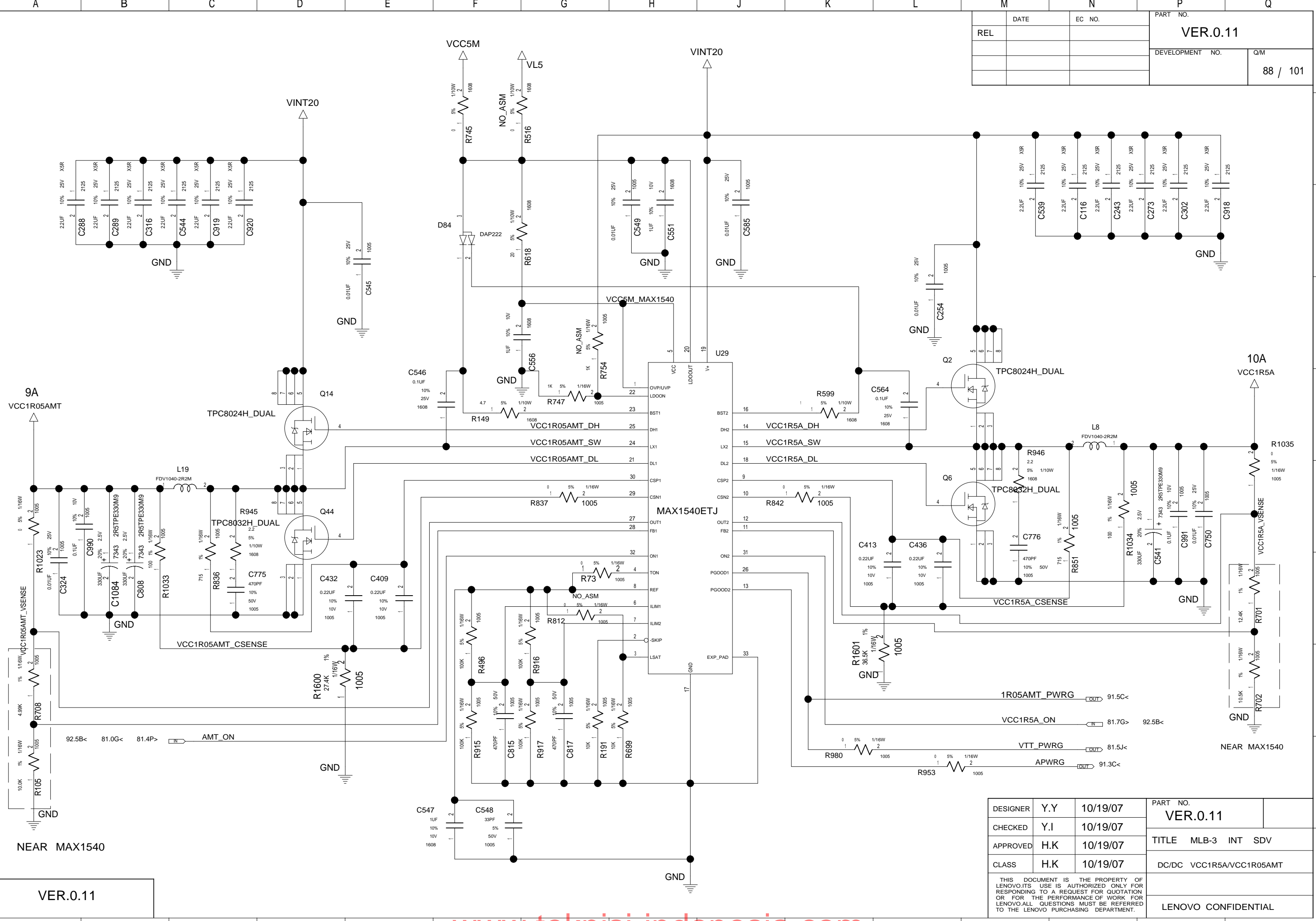
BLANK

	DATE	EC NO.	PART NO.	
REL			VER.0.11	
			DEVELOPMENT NO.	Q/M
				87 / 101

DESIGNER	Y.Y	10/19/07	PART NO.	
CHECKED	Y.I	10/19/07	VER.0.11	
APPROVED	H.K	10/19/07	TITLE MLB-3 INT SDV	
CLASS	H.K	10/19/07	BLANK	
THIS DOCUMENT IS THE PROPERTY OF LENOVO.ITS USE IS AUTHORIZED ONLY FOR RESPONDING TO A REQUEST FOR QUOTATION OR FOR THE PERFORMANCE OF WORK FOR LENOVO.ALL QUESTIONS MUST BE REFERRED TO THE LENOVO PURCHASING DEPARTMENT.			LENOVO CONFIDENTIAL	

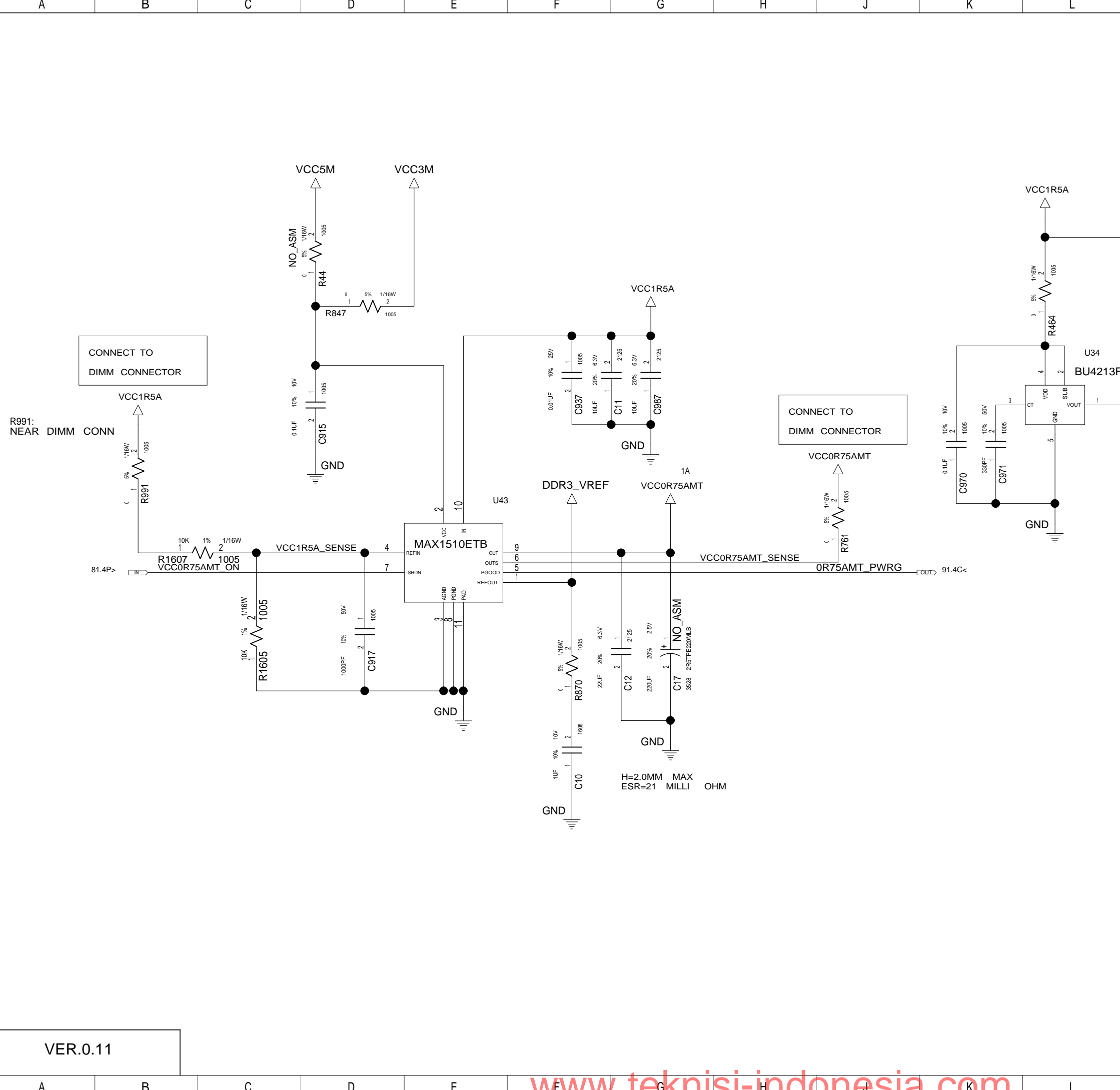
VER.0.11

REL	DATE	EC NO.	PART NO.
			VER.0.11
			DEVELOPMENT NO.
			Q/M
			88 / 101



DESIGNER	Y.Y	10/19/07	PART NO.
CHECKED	Y.I	10/19/07	VER.0.11
APPROVED	H.K	10/19/07	TITLE
CLASS	H.K	10/19/07	MLB-3 INT SDV
			DC/DC VCC1R5A/VCC1R05AMT
THIS DOCUMENT IS THE PROPERTY OF LENOVO. ITS USE IS AUTHORIZED ONLY FOR RESPONDING TO A REQUEST FOR QUOTATION OR FOR THE PERFORMANCE OF WORK FOR LENOVO. ALL QUESTIONS MUST BE REFERRED TO THE LENOVO PURCHASING DEPARTMENT.			LENOVO CONFIDENTIAL

	DATE	EC NO.	PART NO.	
REL			VER.0.11	
			DEVELOPMENT NO.	Q/M
				89 / 101



VER.0.11

DESIGNER	Y.Y	10/19/07	PART NO.	
CHECKED	Y.I	10/19/07	VER.0.11	
APPROVED	H.K	10/19/07	TITLE MLB-3 INT SDV	
CLASS	H.K	10/19/07	DC/DC VCC0R75AMT	
THIS DOCUMENT IS THE PROPERTY OF LENOVO. ITS USE IS AUTHORIZED ONLY FOR RESPONDING TO A REQUEST FOR QUOTATION OR FOR THE PERFORMANCE OF WORK FOR LENOVO. ALL QUESTIONS MUST BE REFERRED TO THE LENOVO PURCHASING DEPARTMENT.			LENOVO CONFIDENTIAL	

BLANK

	DATE	EC NO.	PART NO.	
REL			VER.0.11	
			DEVELOPMENT NO.	Q/M
				90 / 101

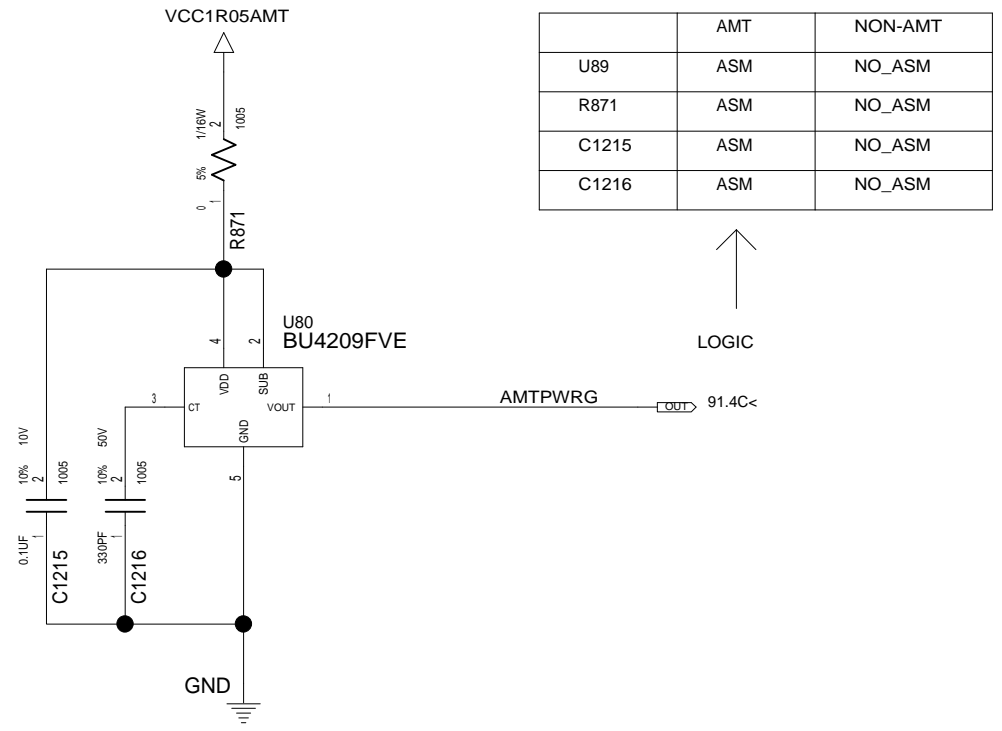
DESIGNER	Y.Y	10/19/07	PART NO.	
CHECKED	Y.I	10/19/07	VER.0.11	
APPROVED	H.K	10/19/07	TITLE MLB-3 INT SDV	
CLASS	H.K	10/19/07	BLANK	
THIS DOCUMENT IS THE PROPERTY OF LENOVO.ITS USE IS AUTHORIZED ONLY FOR RESPONDING TO A REQUEST FOR QUOTATION OR FOR THE PERFORMANCE OF WORK FOR LENOVO.ALL QUESTIONS MUST BE REFERRED TO THE LENOVO PURCHASING DEPARTMENT.			LENOVO CONFIDENTIAL	

VER.0.11

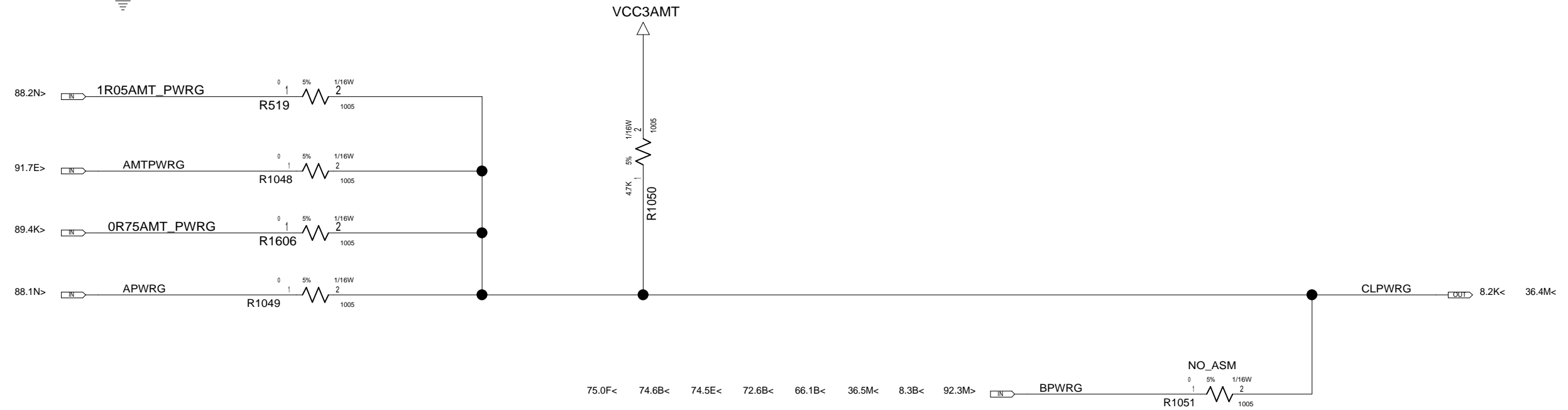
	DATE	EC NO.	PART NO.	
REL			VER.0.11	
			DEVELOPMENT NO.	Q/M
				91 / 101

TABLE

	AMT	NON-AMT
U89	ASM	NO_ASM
R871	ASM	NO_ASM
C1215	ASM	NO_ASM
C1216	ASM	NO_ASM



↑
LOGIC



TABLE

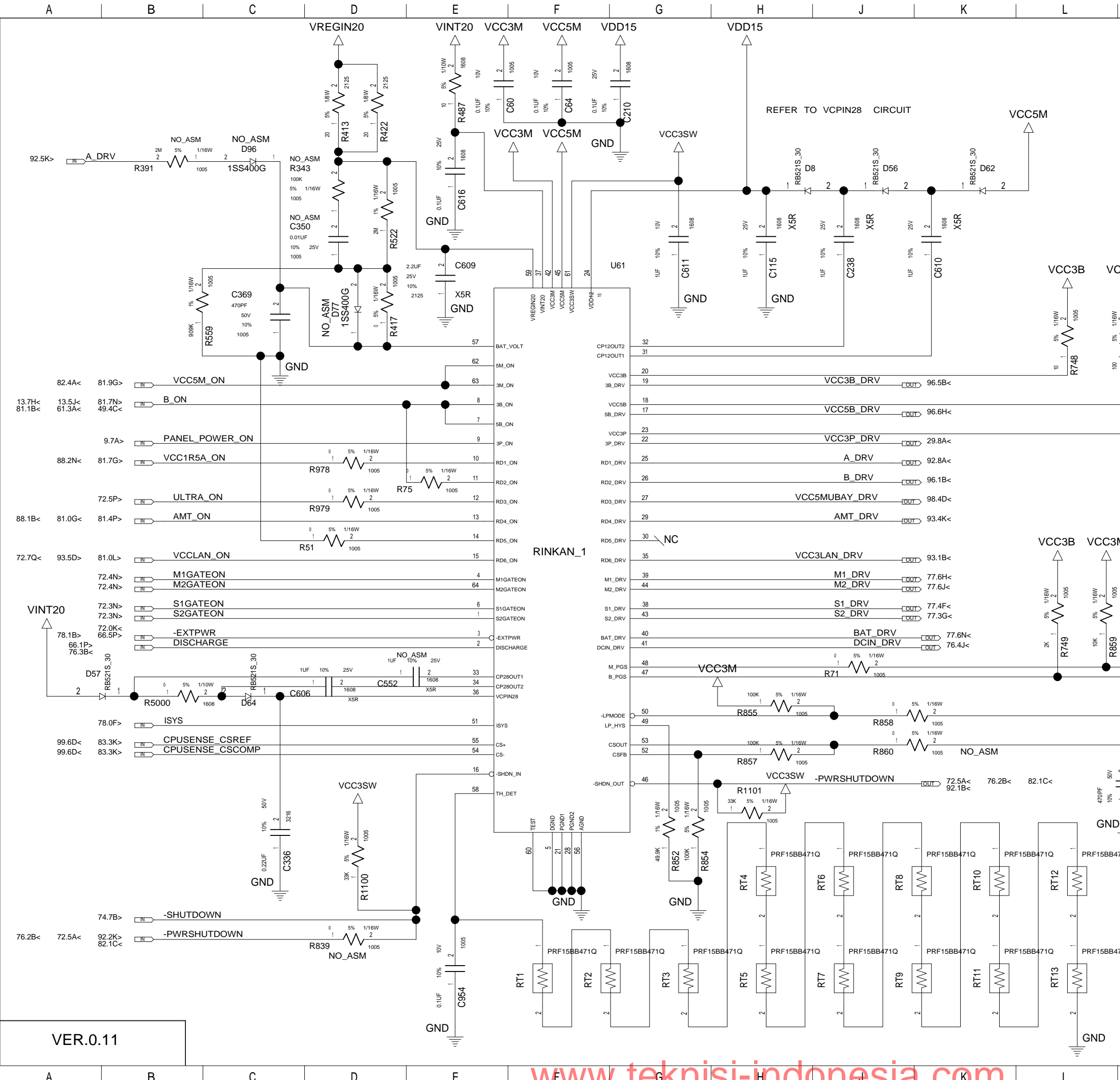
	AMT	NON_AMT
R1051	NO_ASM	ASM
OTHERS	ASM	NO_ASM

↑
LOGIC

DESIGNER	Y.Y	10/19/07	PART NO.	
CHECKED	Y.I	10/19/07	VER.0.11	
APPROVED	H.K	10/19/07	TITLE MLB-3 INT SDV	
CLASS	H.K	10/19/07	CLPWRG	
THIS DOCUMENT IS THE PROPERTY OF LENOVO. ITS USE IS AUTHORIZED ONLY FOR RESPONDING TO A REQUEST FOR QUOTATION OR FOR THE PERFORMANCE OF WORK FOR LENOVO. ALL QUESTIONS MUST BE REFERRED TO THE LENOVO PURCHASING DEPARTMENT.			LENOVO CONFIDENTIAL	

VER.0.11

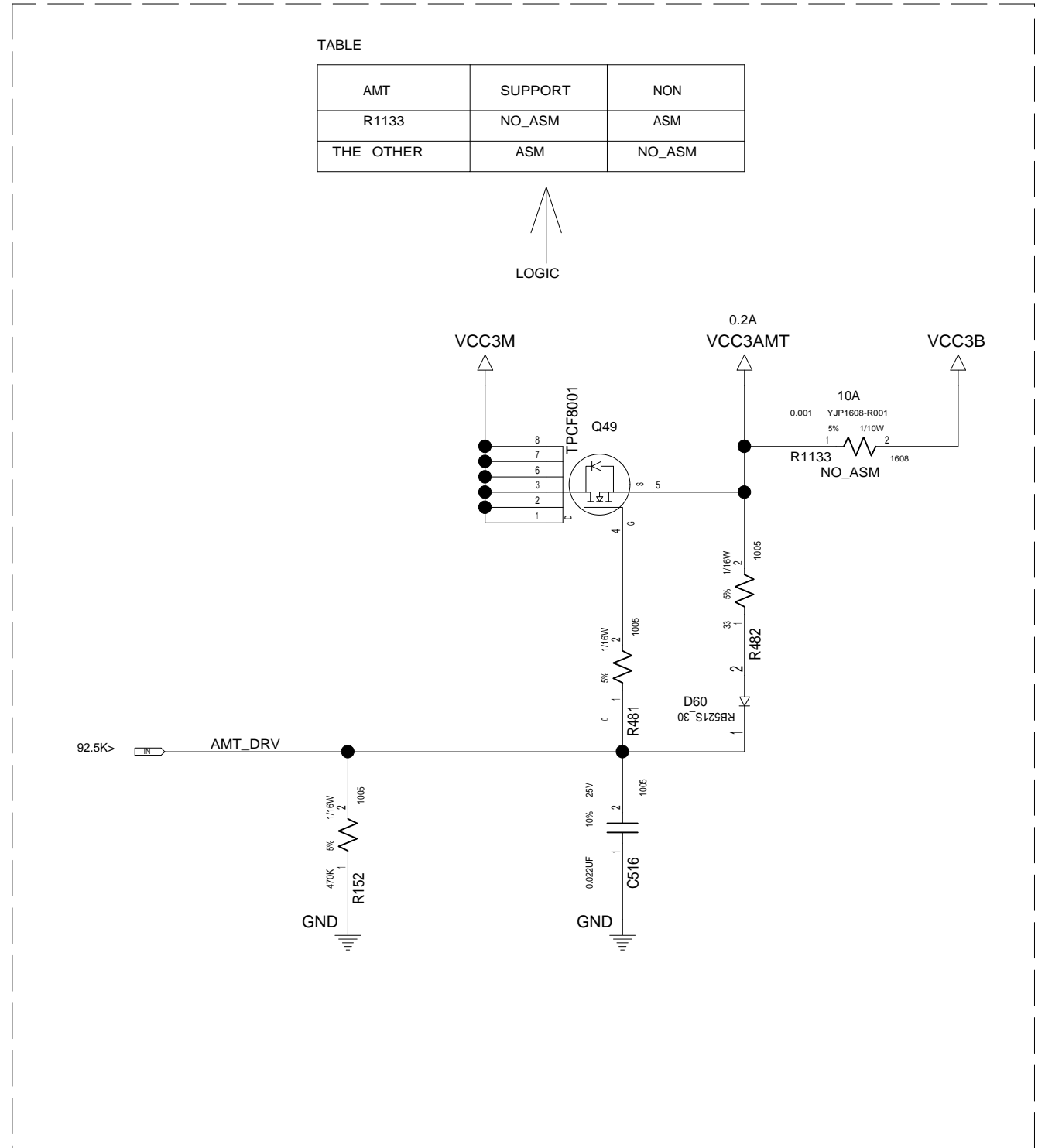
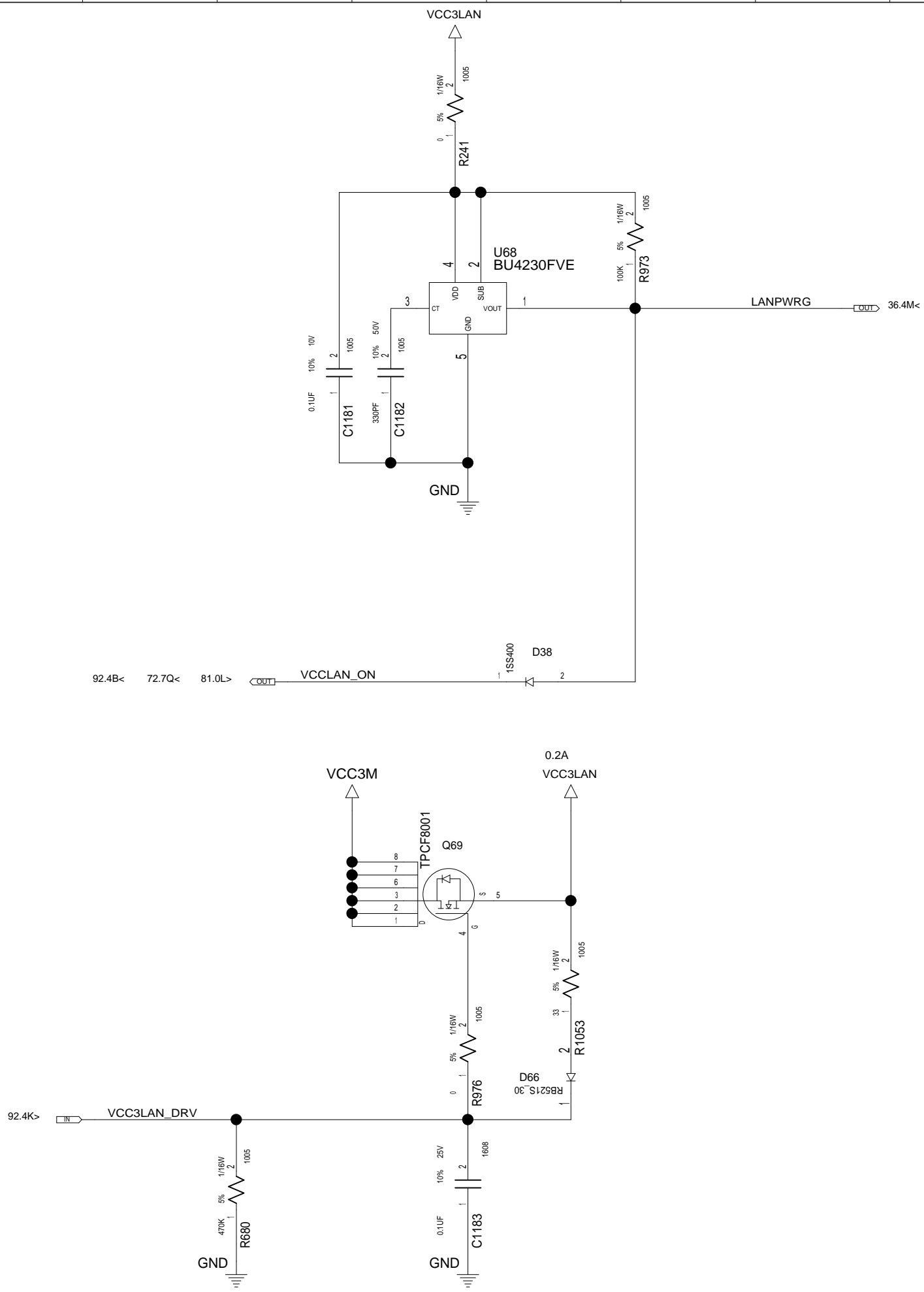
REL	DATE	EC NO.	PART NO.
			VER.0.11
			DEVELOPMENT NO.
			Q/M
			92 / 101



VER.0.11

DESIGNER	Y.Y	10/19/07	PART NO.
CHECKED	Y.I	10/19/07	VER.0.11
APPROVED	H.K	10/19/07	TITLE MLB-3 INT SDV
CLASS	H.K	10/19/07	DC/DC RINKAN
THIS DOCUMENT IS THE PROPERTY OF LENOVO. ITS USE IS AUTHORIZED ONLY FOR RESPONDING TO A REQUEST FOR QUOTATION OR FOR THE PERFORMANCE OF WORK FOR LENOVO. ALL QUESTIONS MUST BE REFERRED TO THE LENOVO PURCHASING DEPARTMENT.			LENOVO CONFIDENTIAL

REL	DATE	EC NO.	PART NO. VER.0.11	
			DEVELOPMENT NO.	Q/M 93 / 101



TABLE

AMT	SUPPORT	NON
R1133	NO_ASM	ASM
THE OTHER	ASM	NO_ASM

LOGIC

VER.0.11

DESIGNER	Y.Y	10/19/07	PART NO. VER.0.11
CHECKED	Y.I	10/19/07	
APPROVED	H.K	10/19/07	TITLE MLB-3 INT SDV
CLASS	H.K	10/19/07	LOAD SW AMT&LAN
THIS DOCUMENT IS THE PROPERTY OF LENOVO.ITS USE IS AUTHORIZED ONLY FOR RESPONDING TO A REQUEST FOR QUOTATION OR FOR THE PERFORMANCE OF WORK FOR LENOVO.ALL QUESTIONS MUST BE REFERRED TO THE LENOVO PURCHASING DEPARTMENT.			LENOVO CONFIDENTIAL

BLANK

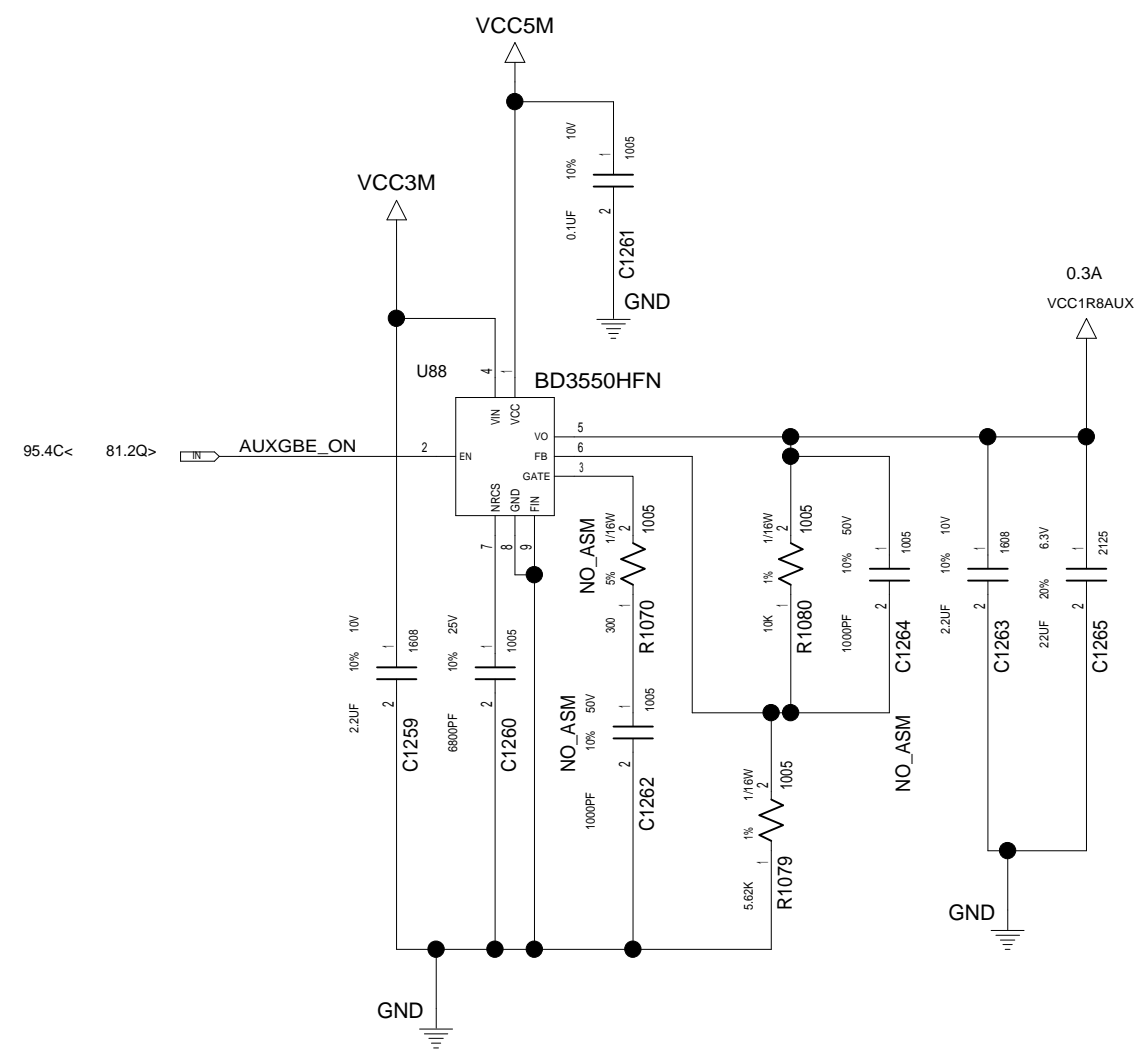
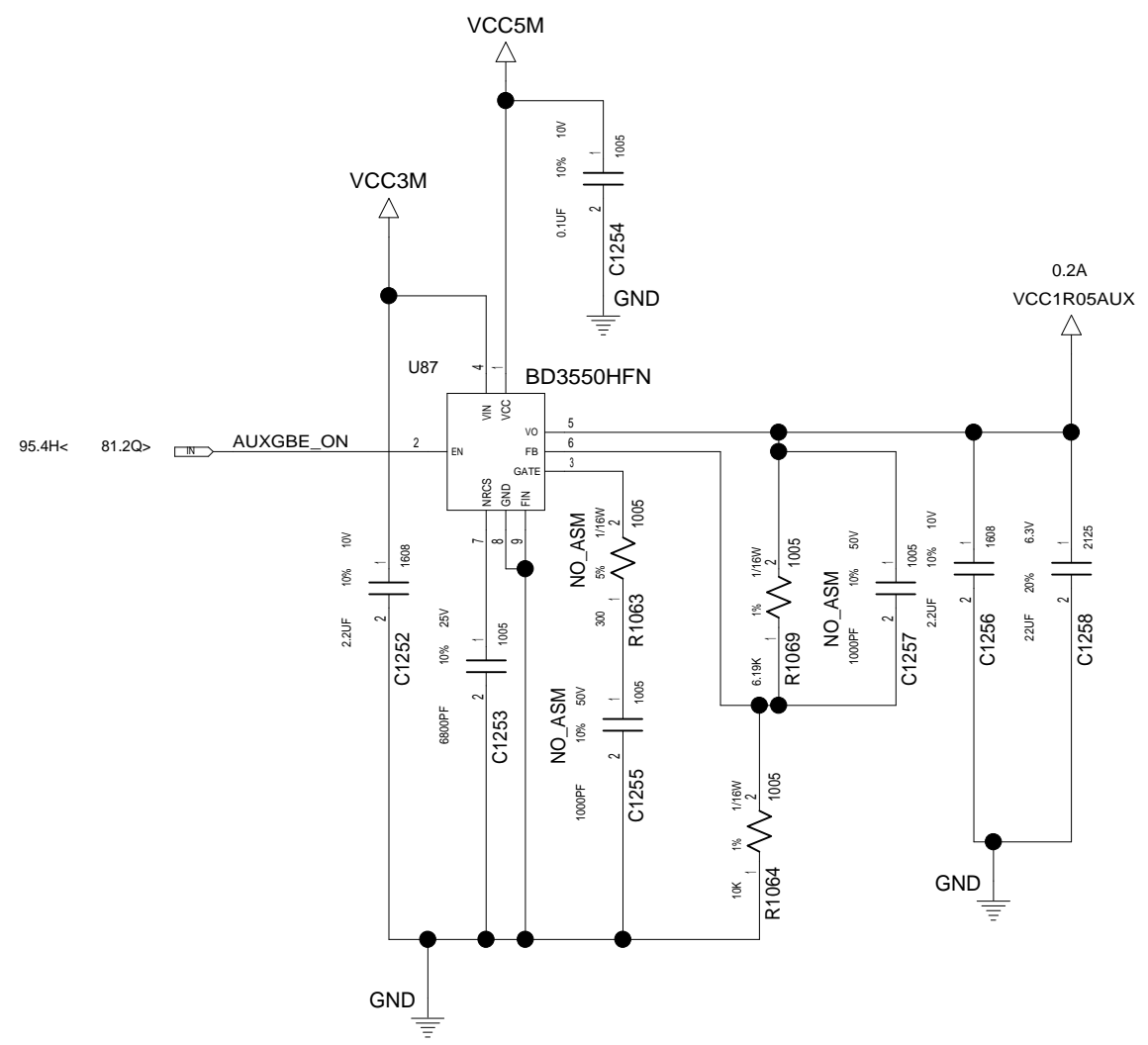
	DATE	EC NO.	PART NO.	
REL			VER.0.11	
			DEVELOPMENT NO.	Q/M
				94 / 101

DESIGNER	Y.Y	10/19/07	PART NO.	
CHECKED	Y.I	10/19/07	VER.0.11	
APPROVED	H.K	10/19/07	TITLE MLB-3 INT SDV	
CLASS	H.K	10/19/07	BLANK	
THIS DOCUMENT IS THE PROPERTY OF LENOVO.ITS USE IS AUTHORIZED ONLY FOR RESPONDING TO A REQUEST FOR QUOTATION OR FOR THE PERFORMANCE OF WORK FOR LENOVO.ALL QUESTIONS MUST BE REFERRED TO THE LENOVO PURCHASING DEPARTMENT.			LENOVO CONFIDENTIAL	

VER.0.11

	DATE	EC NO.	PART NO.	
REL			VER.0.11	
			DEVELOPMENT NO.	Q/M
				95 / 101

VCC1R8AUX		
1.8V	: R1079	: 5.62KOHM
2.5V	: R1079	: 3.48KOHM

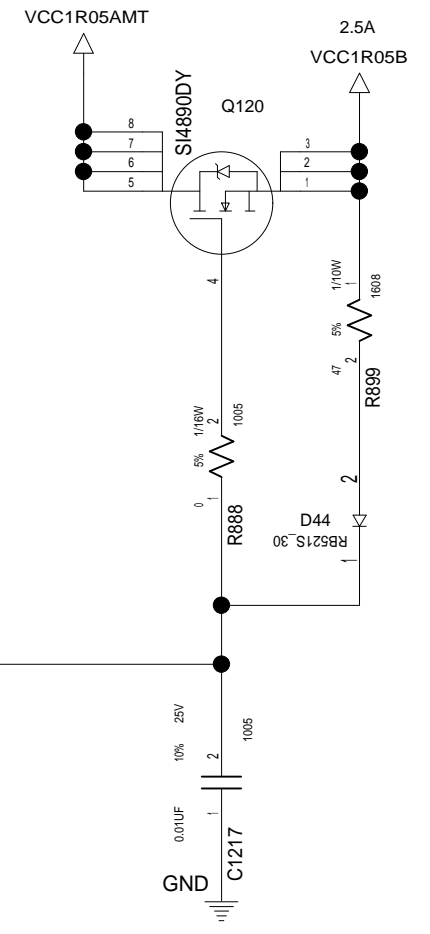
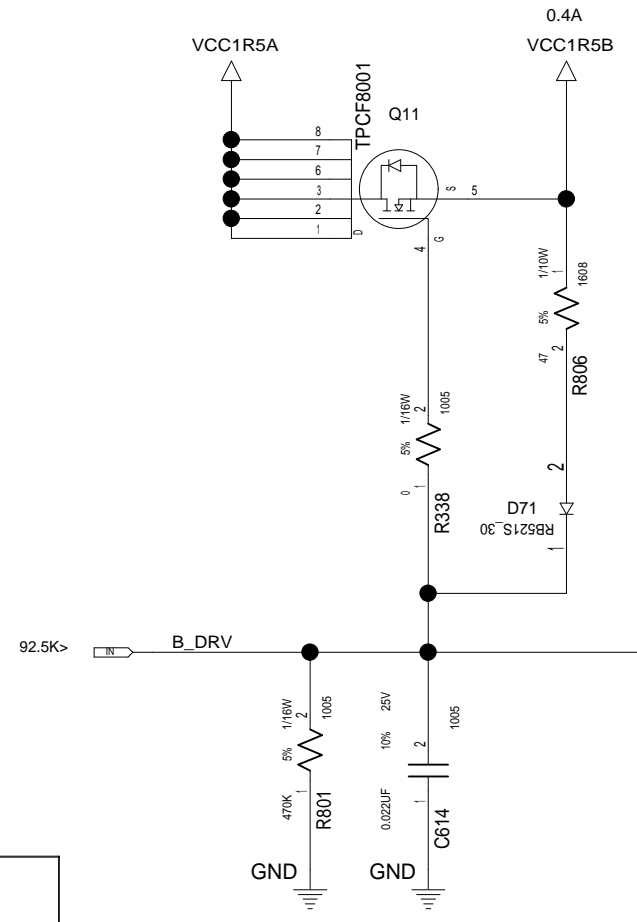
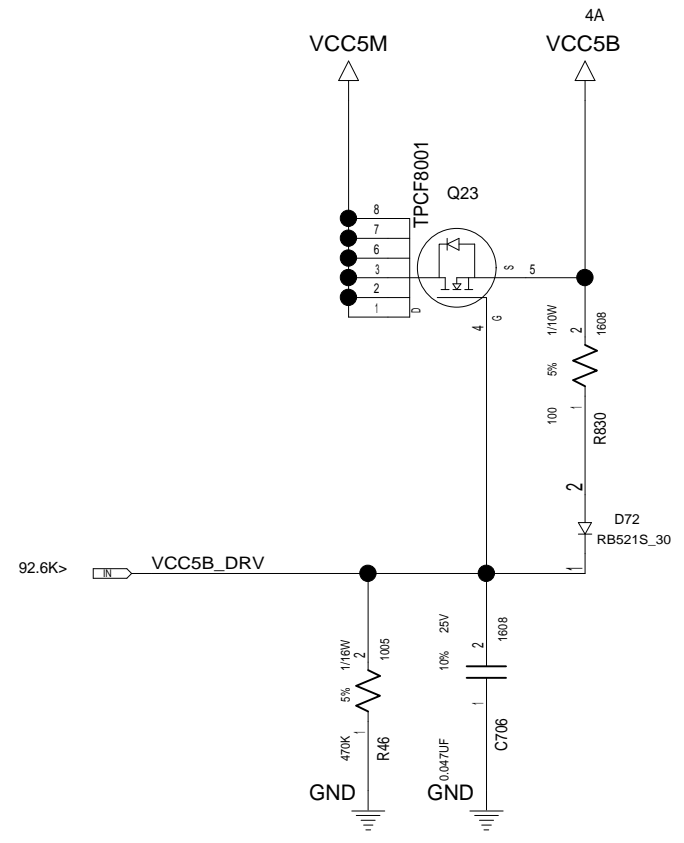
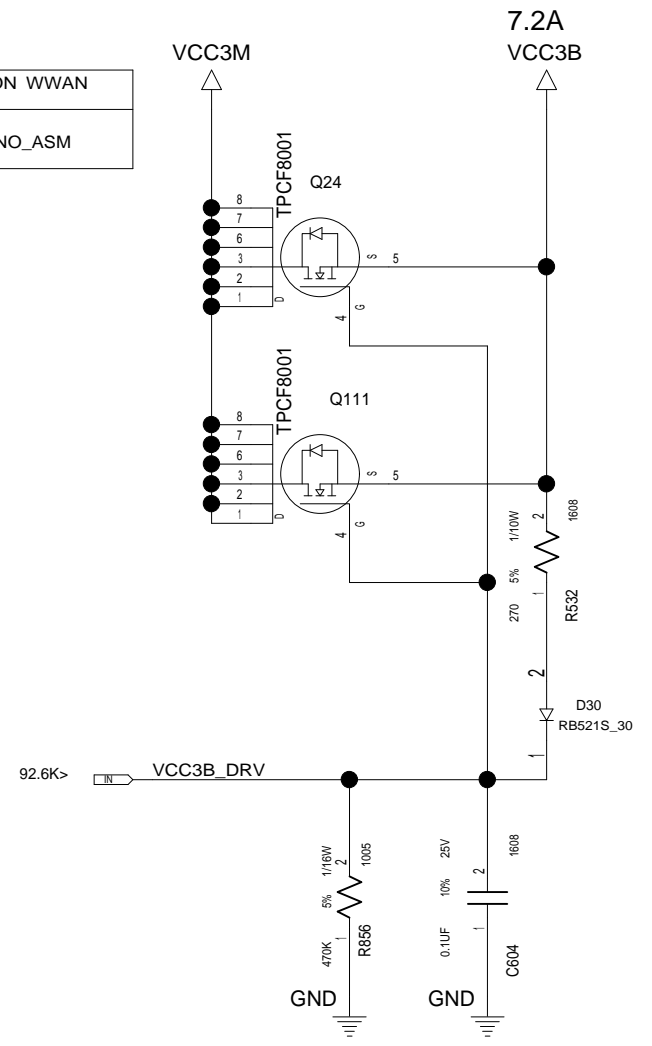


VER.0.11

DESIGNER	Y.Y	10/19/07	PART NO.	
CHECKED	Y.I	10/19/07	VER.0.11	
APPROVED	H.K	10/19/07	TITLE MLB-3 INT SDV	
CLASS	H.K	10/19/07	LOAD SW AUX	
THIS DOCUMENT IS THE PROPERTY OF LENOVO.ITS USE IS AUTHORIZED ONLY FOR RESPONDING TO A REQUEST FOR QUOTATION OR FOR THE PERFORMANCE OF WORK FOR LENOVO.ALL QUESTIONS MUST BE REFERRED TO THE LENOVO PURCHASING DEPARTMENT.			LENOVO CONFIDENTIAL	

TABLE	WWAN	NON WWAN
Q111	ASM	NO_ASM

↑
LOGIC

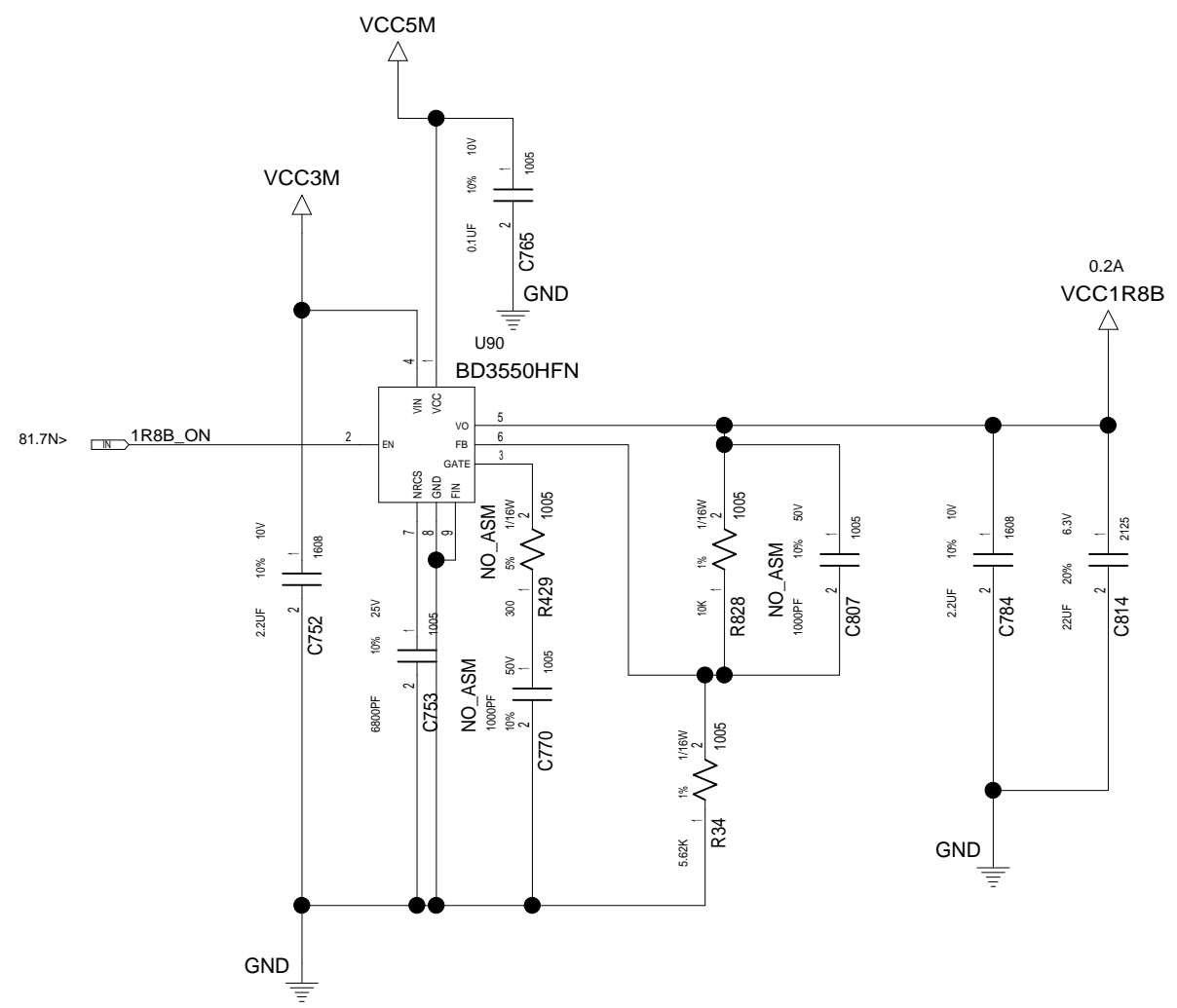


DATE	EC NO.	PART NO.	
		VER.0.11	
REL		DEVELOPMENT NO.	Q/M
			96 / 101

VER.0.11

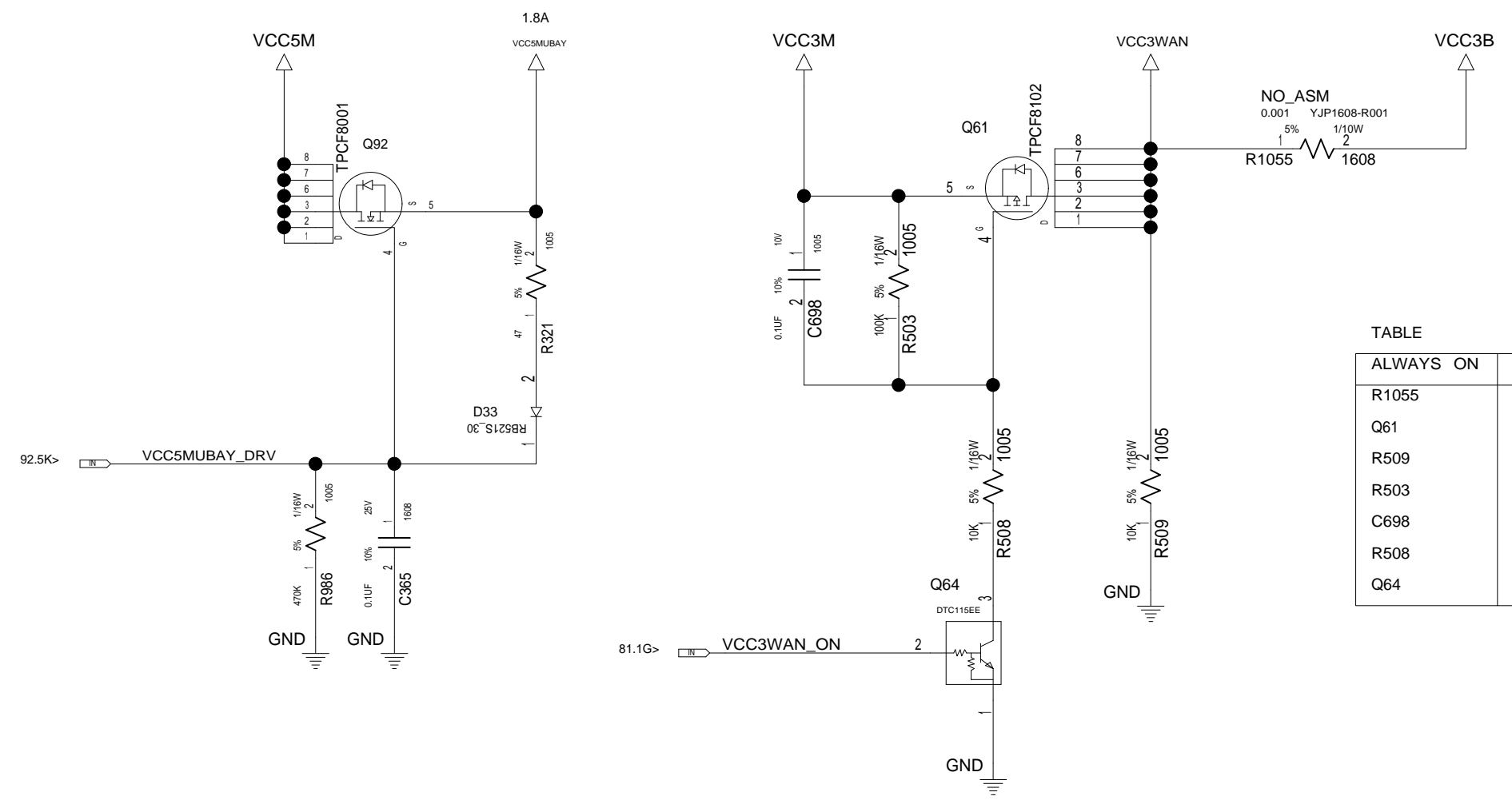
DESIGNER	Y.Y	10/19/07	PART NO.	VER.0.11
CHECKED	Y.I	10/19/07	TITLE MLB-3 INT SDV	
APPROVED	H.K	10/19/07	LOAD SW B	
CLASS	H.K	10/19/07	LENOVO CONFIDENTIAL	

	DATE	EC NO.	PART NO.	
REL			VER.0.11	
			DEVELOPMENT NO.	Q/M
				97 / 101



VER.0.11

DESIGNER	Y.Y	10/19/07	PART NO.	
CHECKED	Y.I	10/19/07	VER.0.11	
APPROVED	H.K	10/19/07	TITLE MLB-3 INT SDV	
CLASS	H.K	10/19/07	DC/DC VCC1R8B	
THIS DOCUMENT IS THE PROPERTY OF LENOVO. ITS USE IS AUTHORIZED ONLY FOR RESPONDING TO A REQUEST FOR QUOTATION OR FOR THE PERFORMANCE OF WORK FOR LENOVO. ALL QUESTIONS MUST BE REFERRED TO THE LENOVO PURCHASING DEPARTMENT.			LENOVO CONFIDENTIAL	

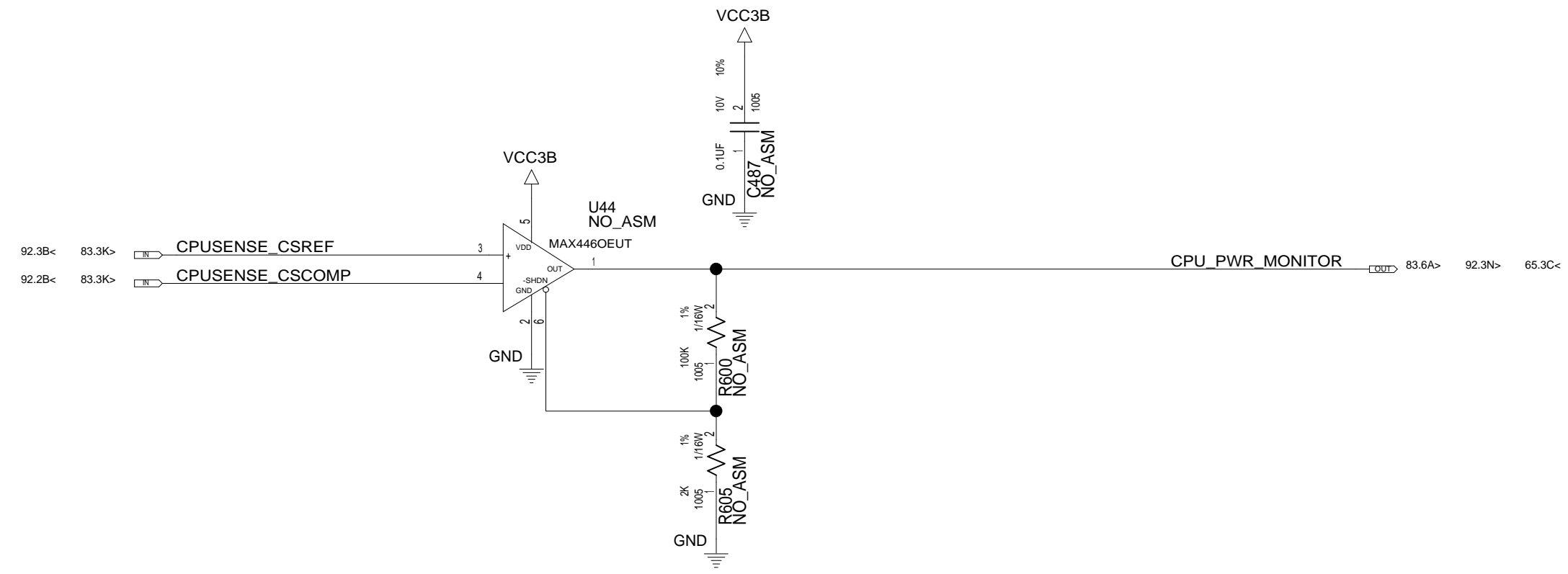


TABLE

ALWAYS ON	YES	NO
R1055	NO_ASM	ASM
Q61	ASM	NO_ASM
R509	ASM	NO_ASM
R503	ASM	NO_ASM
C698	ASM	NO_ASM
R508	ASM	NO_ASM
Q64	ASM	NO_ASM

↑
LOGIC

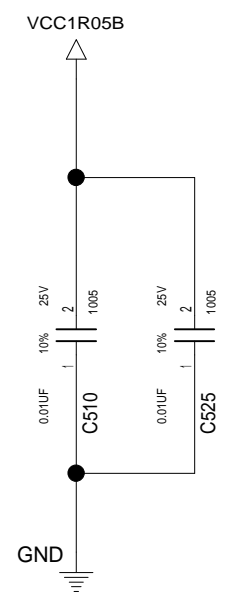
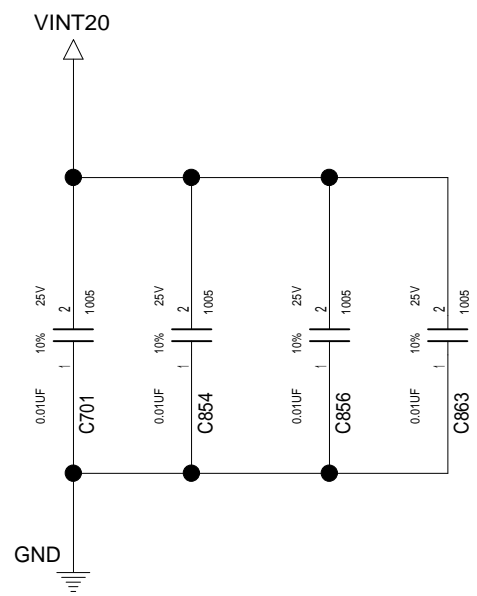
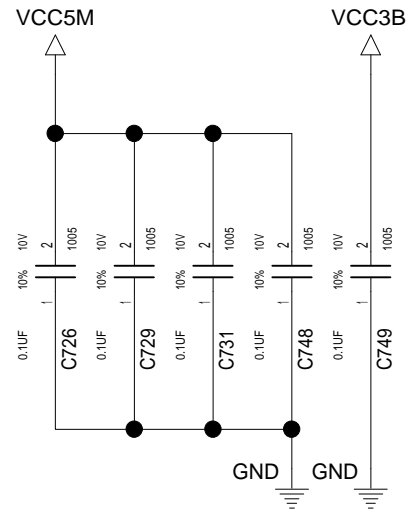
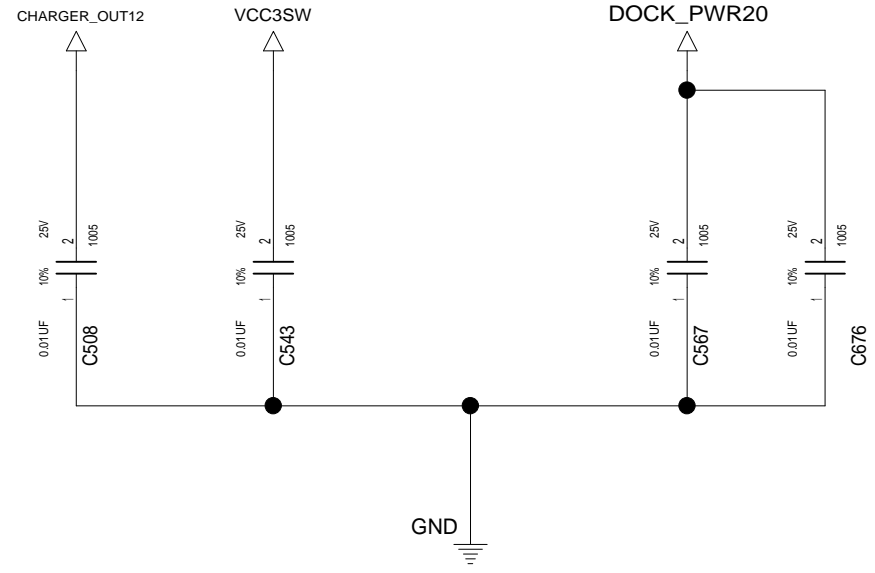
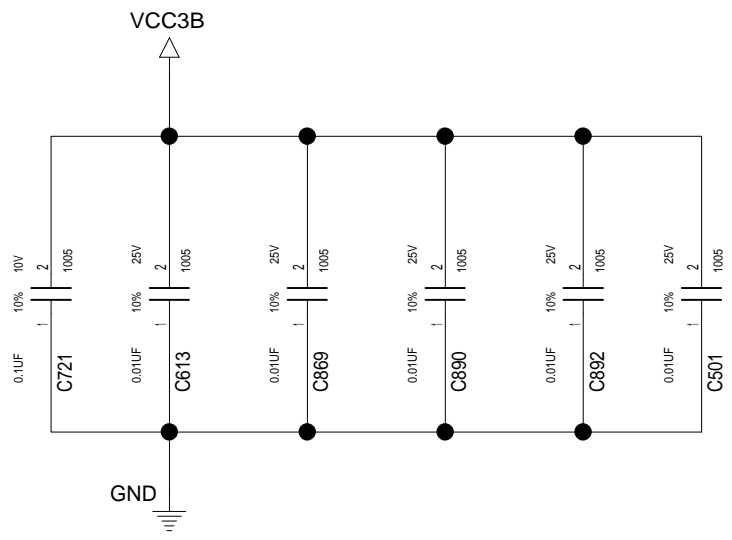
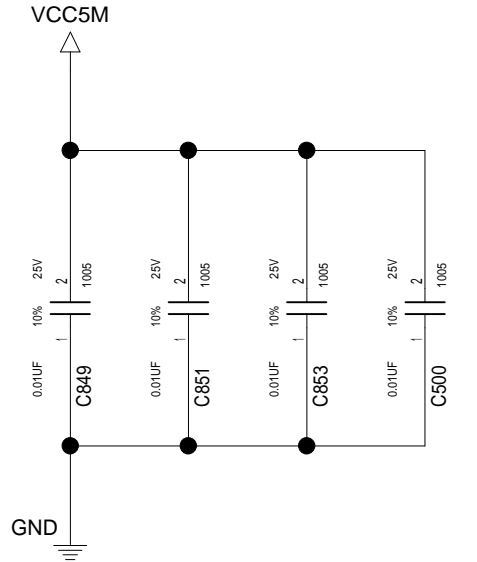
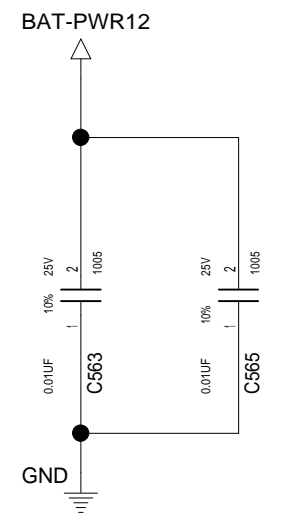
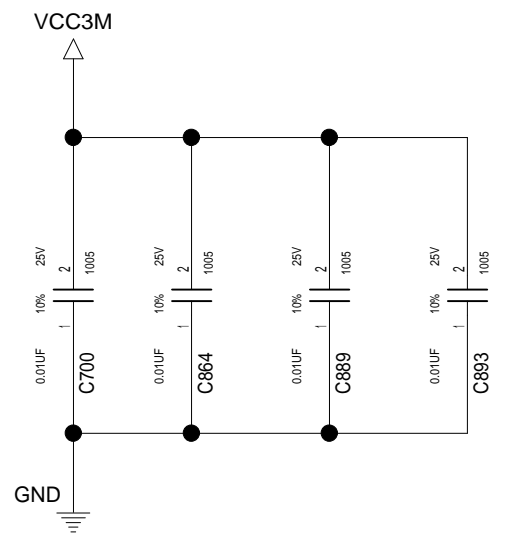
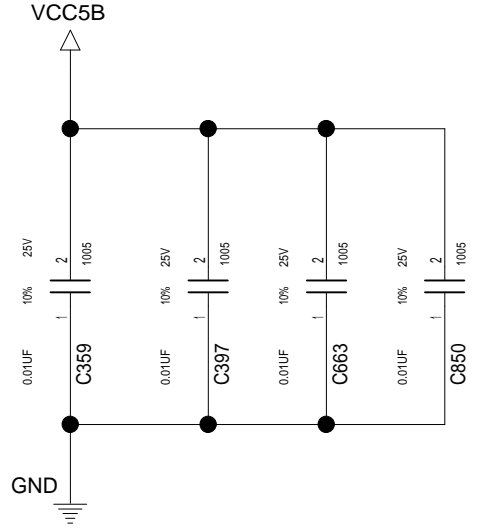
	DATE	EC NO.	PART NO.	
REL			VER.0.11	
			DEVELOPMENT NO.	Q/M
				99 / 101



VER.0.11

DESIGNER	Y.Y	10/19/07	PART NO.	
CHECKED	Y.I	10/19/07	VER.0.11	
APPROVED	H.K	10/19/07	TITLE MLB-3 INT SDV	
CLASS	H.K	10/19/07	CPU POWER MOMITOR	
<small>THIS DOCUMENT IS THE PROPERTY OF LENOVO.ITS USE IS AUTHORIZED ONLY FOR RESPONDING TO A REQUEST FOR QUOTATION OR FOR THE PERFORMANCE OF WORK FOR LENOVO.ALL QUESTIONS MUST BE REFERRED TO THE LENOVO PURCHASING DEPARTMENT.</small>			LENOVO CONFIDENTIAL	

	DATE	EC NO.	PART NO.	
REL			VER.0.11	
			DEVELOPMENT NO.	Q/M
				100 / 101

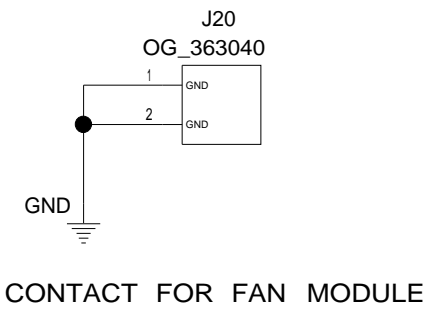
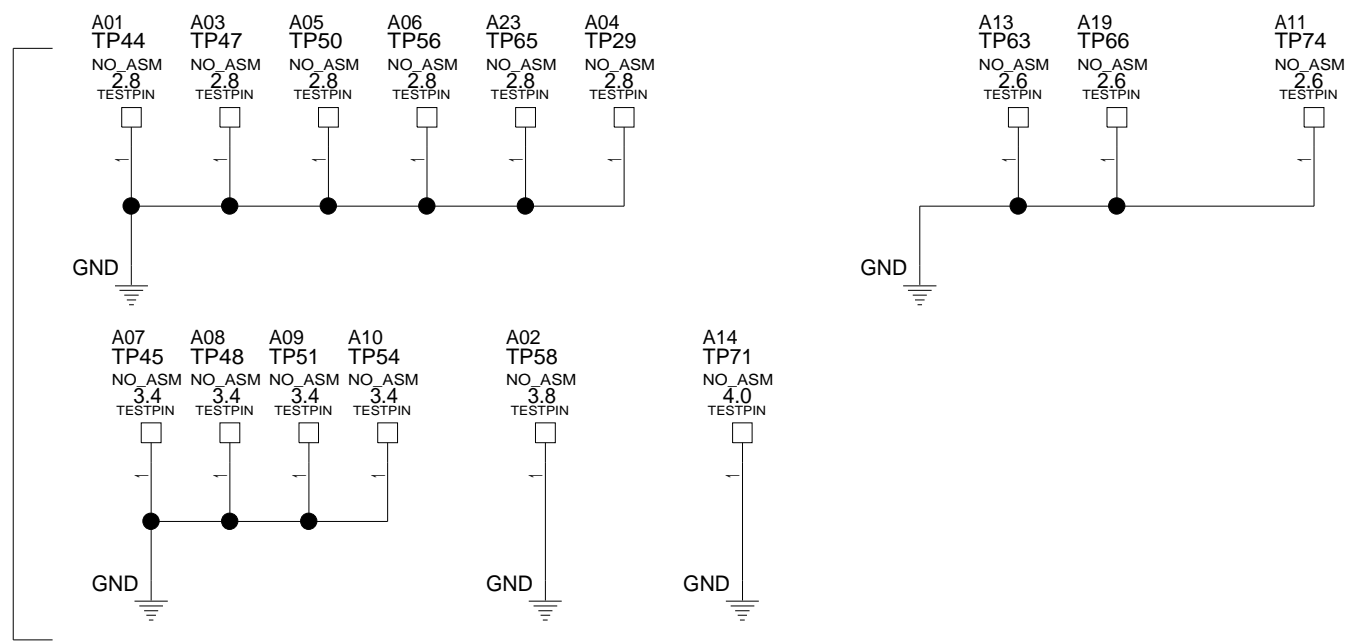


VER.0.11

DESIGNER	Y.Y	10/19/07	PART NO.	
CHECKED	Y.I	10/19/07	VER.0.11	
APPROVED	H.K	10/19/07	TITLE MLB-3 INT SDV	
CLASS	H.K	10/19/07	EMC DECOUPLING	
THIS DOCUMENT IS THE PROPERTY OF LENOVO. ITS USE IS AUTHORIZED ONLY FOR RESPONDING TO A REQUEST FOR QUOTATION OR FOR THE PERFORMANCE OF WORK FOR LENOVO. ALL QUESTIONS MUST BE REFERRED TO THE LENOVO PURCHASING DEPARTMENT.			LENOVO CONFIDENTIAL	

	DATE	EC NO.	PART NO.	
REL			VER.0.11	
			DEVELOPMENT NO.	Q/M
				101 / 101

PTH FOR SCREW HOLE



VER.0.11

DESIGNER	Y.Y	10/19/07	PART NO.	
CHECKED	Y.I	10/19/07	VER.0.11	
APPROVED	H.K	10/19/07	TITLE MLB-3 INT SDV	
CLASS	H.K	10/19/07	PTH FOR SCREW HOLES	
THIS DOCUMENT IS THE PROPERTY OF LENOVO. ITS USE IS AUTHORIZED ONLY FOR RESPONDING TO A REQUEST FOR QUOTATION OR FOR THE PERFORMANCE OF WORK FOR LENOVO. ALL QUESTIONS MUST BE REFERRED TO THE LENOVO PURCHASING DEPARTMENT.			LENOVO CONFIDENTIAL	