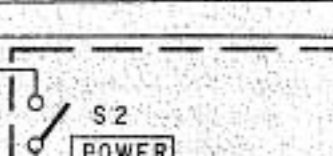
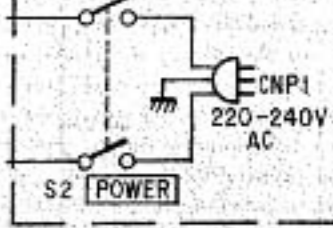
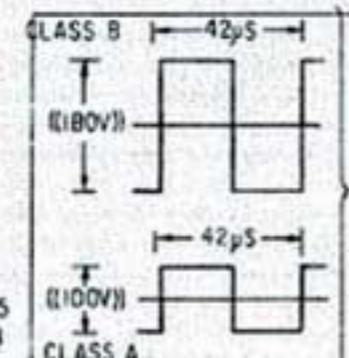


AEP, UK MODEL



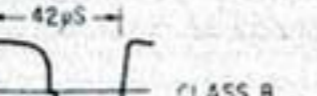
US, CANADIAN MODEL

PULSE-LOCKED POWER SUPPLY BOARD



DC BIAS
CLASS A --- 350mA
CLASS B --- 20mA

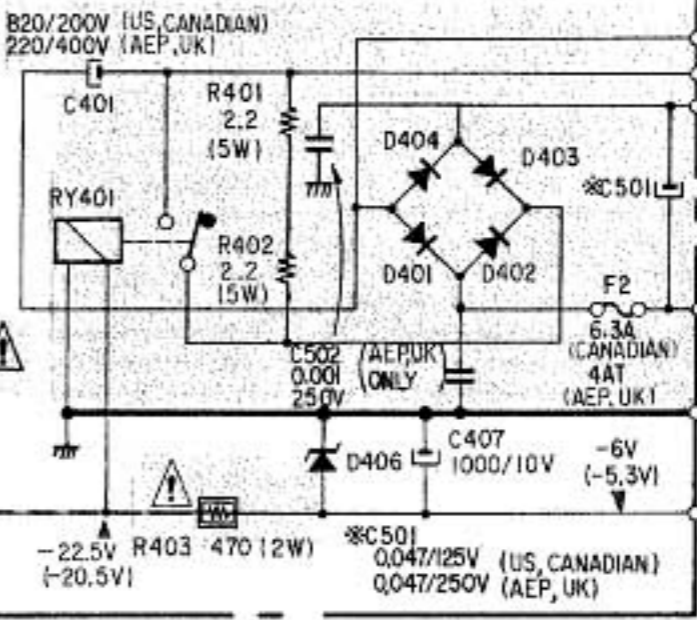
D608-611 S34



AEP, UK MODEL

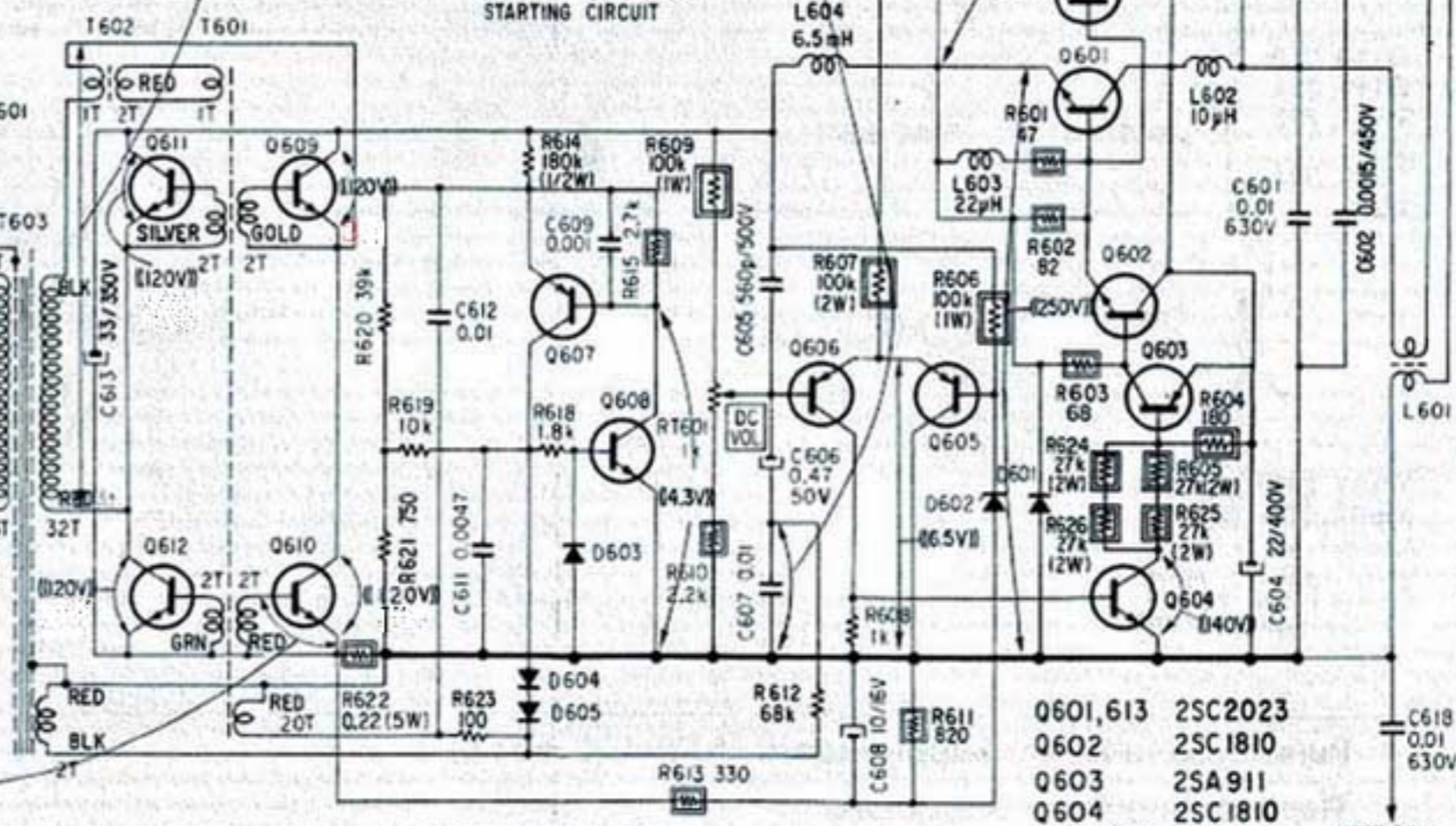
D406 EQA01-06R D401-404 30D4FA

D405 1S1555



Q609-612 2SC2023R INVERTER

Q607 2SA639S
Q608 2SC1890
STARTING CIRCUIT



D603, 604, 605 1S1555

Q605, 606 2SA678 ERROR AMP

Q601, 613 2SC2023
Q602 2SC1810
Q603 2SA911
Q604 2SC1810
VOLTAGE REG

HEAT SINK