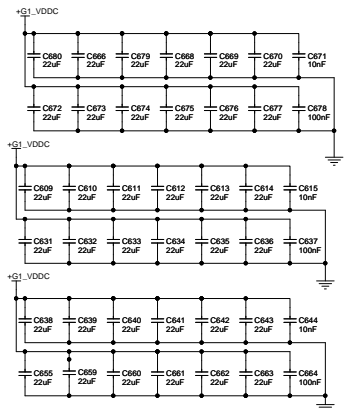
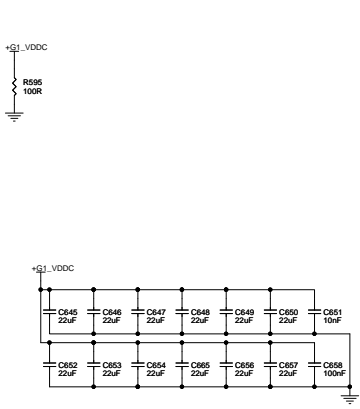
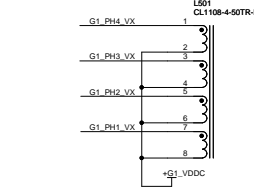


22uF 0805 CAP BANK (60 caps shown)
 TBD caps needed for XT BOM load step with 6 phases
 TBD caps needed for PRO BOM load step with 4 phases



GEN3 4-phase CL



SVID Setting
 R_SEL3 = 18.7k, VDDcstart = 1.15V
 R_SEL2 = 340, VDDcmax = Vstart + 0.2V

SVID VDDc Programming

VID[S4]	VDDc
00	SMBUS Voltage 1, 2D
01	SMBUS Voltage 2, 3D
10	SMBUS Voltage 3, 0D
11	SMBUS Voltage 4, Reserved

