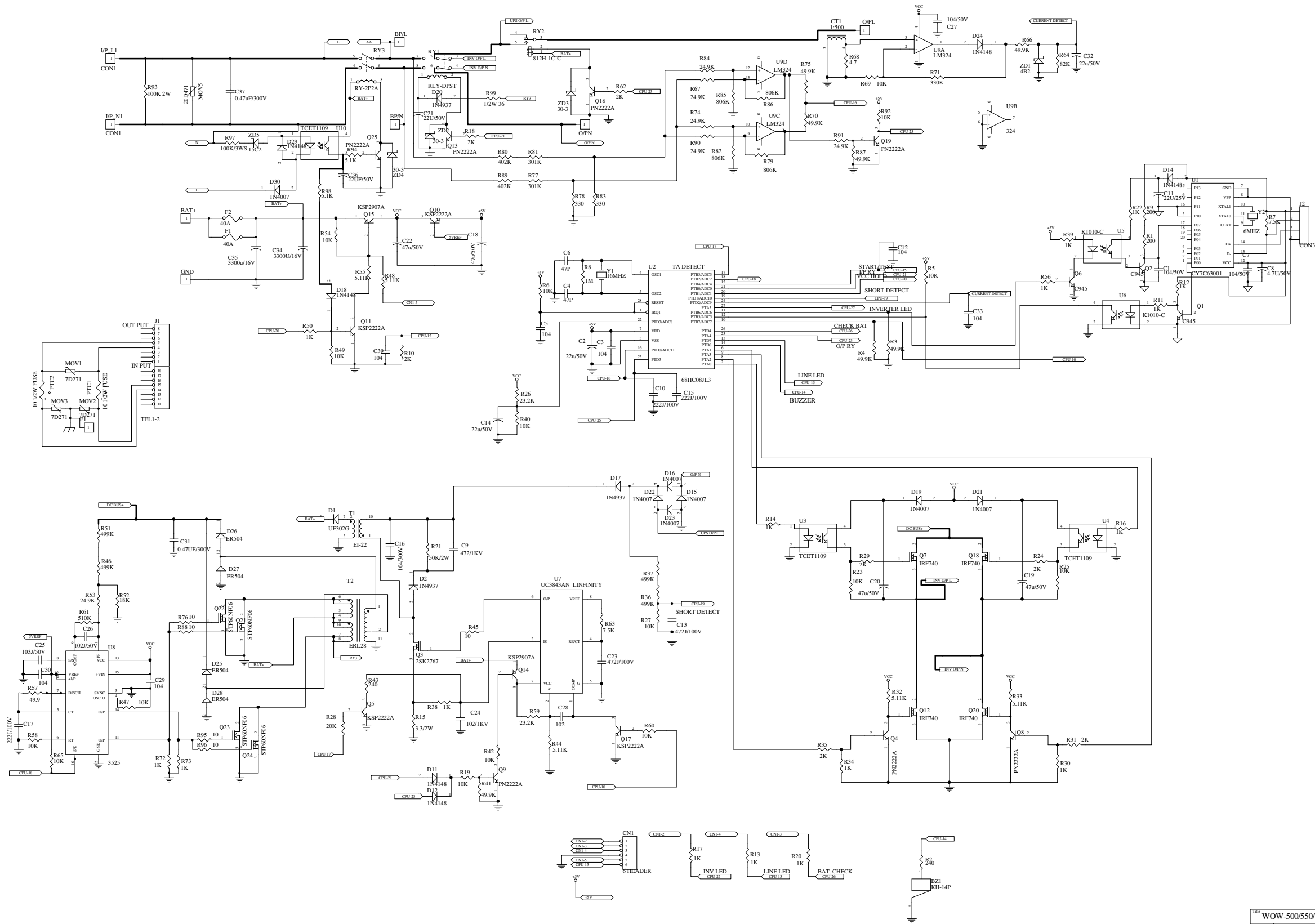


WOW-500/700/U 220V



| WOW-500/550/700(USB VERISON) | | | |
|------------------------------|--|----------|----------|
| Rev | Number | Revision | Version |
| A1 | | | V1.0 |
| Date: | 12-Jun-2005 | Sheet of | Drawn by |
| File: | D:\WP51\WOW-500/550/700(USB VERISON).doc | Drawn by | Amor118 |